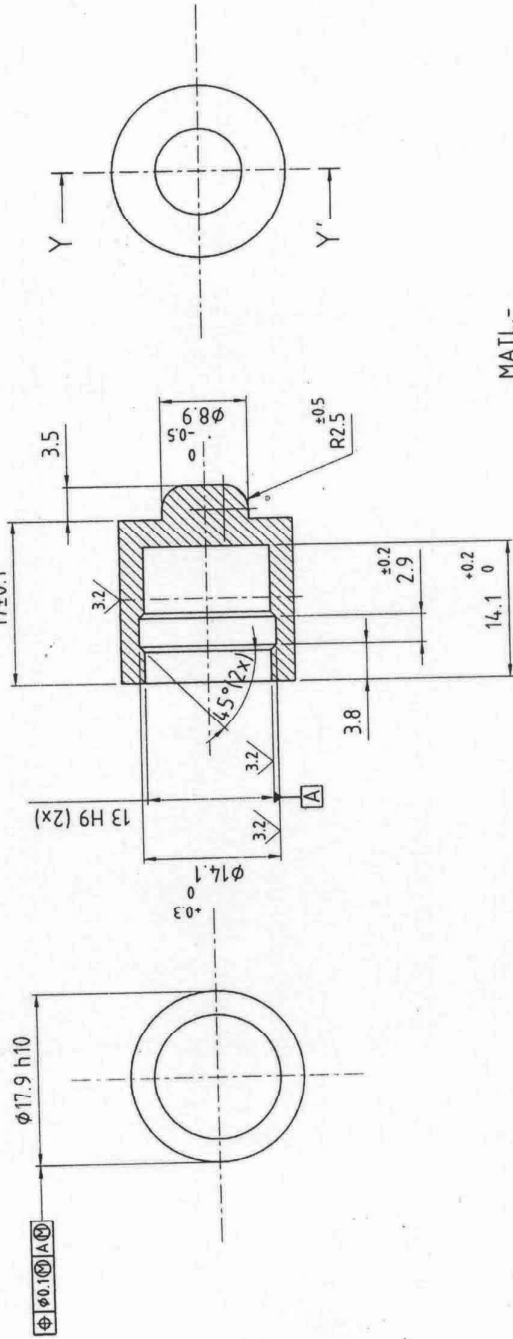


+

MCT-2308



SEC. AT Y-Y'

MATL.-

STEEL 1914-04 alt EN 10277-3-1.0756+C560 :

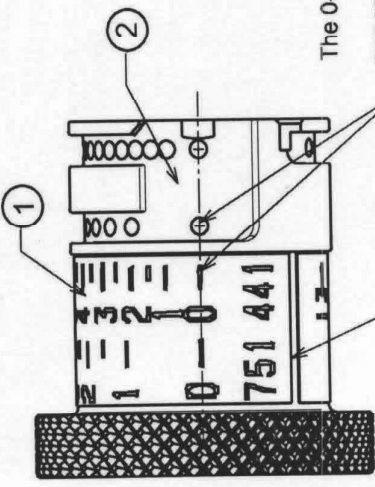
TREAT-

NITROCARBURIZED FZ min. 8µm max. 15µm, OXIDATION-TREATED.

FOR TRADE O/M  
Date of Issue: 11/06/11  
Rajiv

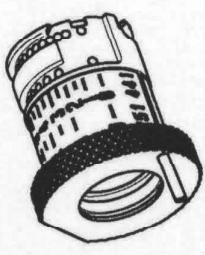
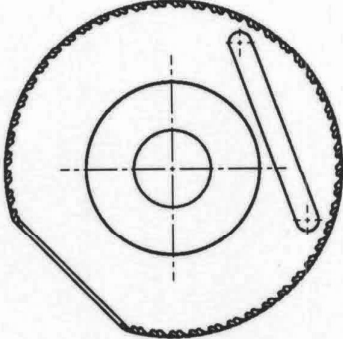
ALL DIMENSIONS ARE IN mm.

ORDNANCE FACTORY DEHRADUN	DR:- R.K.SHARMA	DATE- 24.07.2006	SCALE- 2:1
	TR:-	<u>MATL</u> AS ABOVE	<u>TREAT</u> AS ABOVE
	CH:- <i>Rajiv</i>	SHTS:-	SHT. No.:-
	APPROVED: <i>Rajiv</i>	DRAWING NO.:- MCT-2308	
IC/DO: <i>Rajiv</i>	AMENDMENTS: OFD/DO/002		
DGM/P.	DRG. No.:- F1303-027020 B		
TELESCOPE SIGHT FOR 84 mm. CARL GUSTAV MK-III RETAINING KNOB 557 (IN)			



The 0-mark of the scale plate (1) opposite to 0-position recess (2)  $\pm 0.25$

End surface of the scale plate (1) shall be sealed with (3)



Isometric view

FOR TRADE USE  
Date of Issue 11/06/14  
Jeyan

3	ADHESIVE LOCKTITE 460	-	STD. ITEM
2	KNOB 751+441	1	MCT-3482 COA(I)792/41
1	SCALE PLATE 751+441 ASSY.	1	MCT-3480 COA(I)792/SA-9
PART NO.	DESCRIPTION	NO. OFF.	DRG.NO.

(1) ALL DIMENSIONS ARE IN MILLIMETERS.  
(2) FIRST ANGLE PROJECTION

SCHEDULE OF PARTS

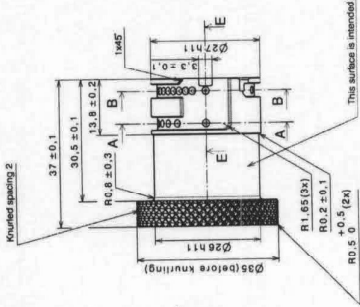
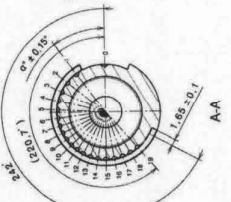
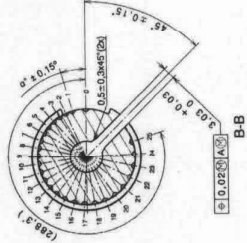
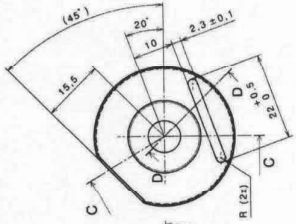
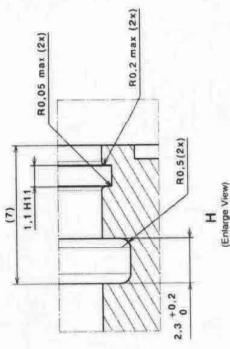
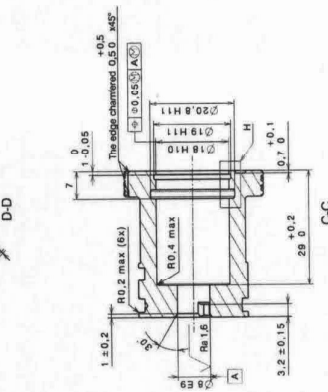
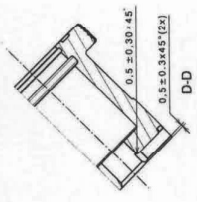
DT. 03.11.18	SCALE: NTS
MATL. ---	FINISH ---
SHEETS. 1	SHEET NO. 1
AMENDMENTS	DRAWING NO.
QFD/DO/002	MCT-3479

TELESCOPIC SIGHT ASSY. 557 B14  
KNOB & SCALE PLATE 751+441

DR. P.C.SINGH  
TR.  
CH. APPROVED  
(Kuldeep Saini)  
JWM/D.O.  
(S.Bhaskar)  
AWM/EO

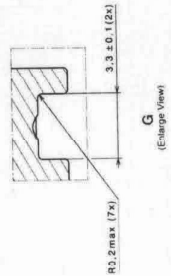
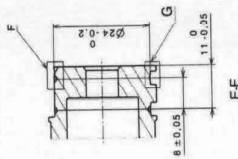
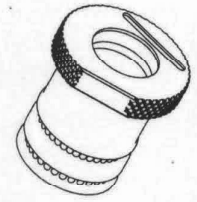
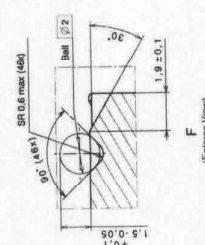
ORDNANCE FACTORY  
DEHRADUN

DRG.NO  
COA(I)792/SA-10



This surface is intended for gluing must not be contaminated

A-A 751		B-B 441	
Distance	Pos	Distance	Pos
0	0	0	0
100	1	100	1
150	2	150	2
200	3	200	3
250	4	250	4
300	5	300	5
350	6	350	6
400	7	400	7
450	8	450	8
500	9	500	9
550	10	550	10
600	11	600	11
650	12	650	12
700	13	700	13
750	14	750	14
800	15	800	15
850	16	850	16
900	17	900	17
950	18	950	18
1000	19	1000	19
	20	1050	20
	21	1100	21
	22	1150	22
	23	1200	23
	24	1250	24
	25	1300	25



Date of issue 11/06/21  
Rajiv

NOTE -  
1. DIMENSIONS AFTER SURFACE TREATMENT.  
2. GENERAL SURFACE ROUGHNESS 3.2  
3. SHARP EDGES BROKEN 0.4 MAX.  
4. FORM & POSITION TOLERANCES ACCORDING TO ISO:1101  
5. GENERAL TOLERANCES ACCORDING TO ISO:2768-mk

MATL :- EN 755-2, AW-6082-T6.  
FINISH :- ANODISED AA CLASS 20 BLACK ACCORDING TO TECHNICAL SPECIFICATION 301065774

(1) ALL DIMENSIONS ARE IN MILLIMETERS.  
(2) FIRST ANGLE PROJECTION

DR - R K SHARMA

TR -

CH -

APPROVED.  
(K. SAINI)  
JWM/DDO

DRG. No -  
(S. BHASKAR)  
AWM/ED

COA(I) - 792/41

TELESCOPIC SIGHT ASSY. 557 B 14

KNOB 751+441

DATE - 03/11/2018 SCALE - N T S

MATL AS ABOVE

FINISH AS ABOVE

SHTS :- 1 SHT No. - 1

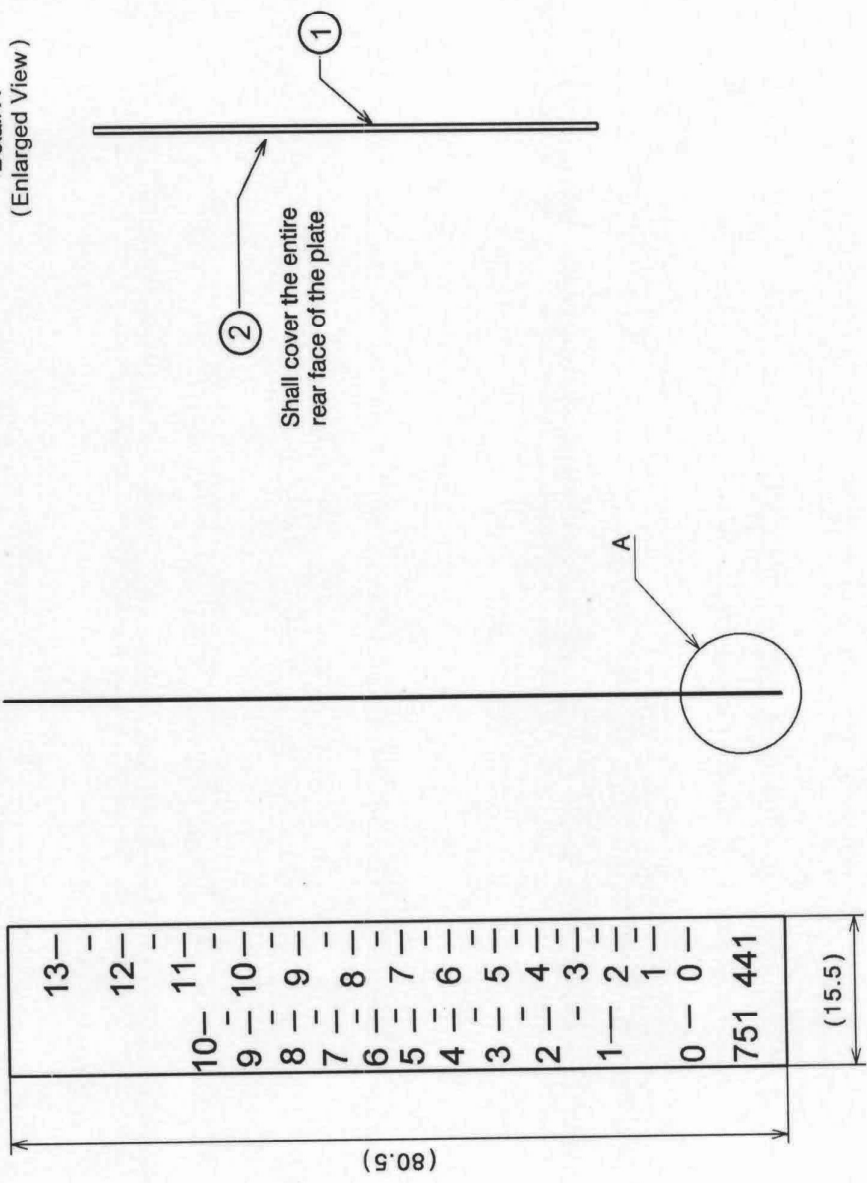
AMENDMENTS.

OFD/DDO/002

ORDNANCE FACTORY  
DEHRADUN

DRAWING No. -  
MCT-3482

Detail A  
(Enlarged View)



Date of Issue 11/06/01  
Rajiv

2	DOUBLE COATED ADHESIVE TAPE	MCT-3492 COA(I) 792/48
1	SCALE PLATE 751+441	MCT-3481 COA(I) 792/40
PART NO.	DESCRIPTION	NO. DRG.NO. OFF.

SCHEDULE OF PARTS

DT. 03.11.18	SCALE: NTS
MATL.	FINISH
SHEETS. 1	SHEET NO. 1
AMENDMENTS	DRAWING NO.
OFD/DO/002	MCT-3480

(1) ALL DIMENSIONS ARE IN MILLIMETERS.  
(2) FIRST ANGLE PROJECTION

TELESCOPIC SIGHT ASSY. 557 B14

SCALE PLATE 751+441 ASSY.

DR. P.C.SINGH  
TR.  
CH.  
APPROVED  
(S.Bhaskar)  
AWM/EO  
(Kuldeep Saini)  
JWM/D.O.

DRG NO  
COA(I)792/SA-9

ORDNANCE FACTORY  
DEHRADUN

ORDNANCE FACTORY, DEHRADUN.

TELESCOPIC SIGHT ASSY. 557 B 14  
DOUBLE COATED ADHESIVE TAPE

DRG. No.-

CQA(I)-792/48

MCT-3492

Thickness: 0.16-0.17 mm (without release liner)  
Carrier: Non-woven  
Adhesive: Modified acrylic-based  
Adhesion: 1200 cN/20 mm (nominal value)

Suggested supplier:

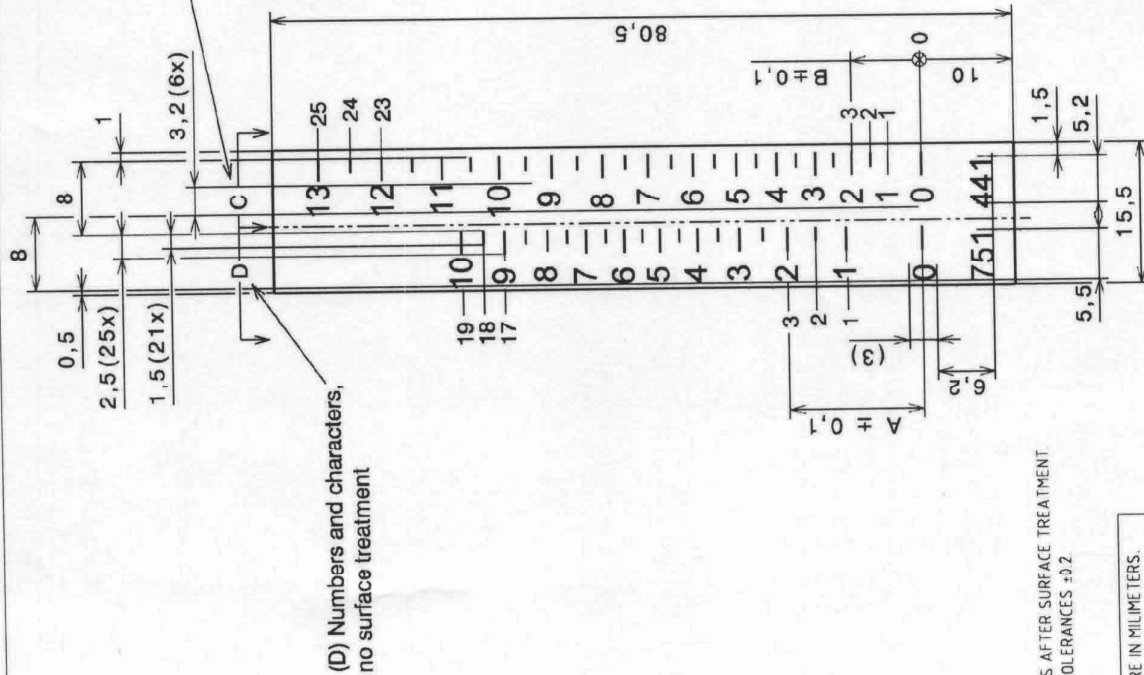
Company name: Nitto Denko Corporation  
Product name: Nitto 500

FOR TRADE ONLY

Date of issue 11/06/21

*Refin*

		DT.-03.11.2018	SCALE-N.T.S.
	DR.- R.K.SHARMA	MATL. AS ABOVE	FINISH AS ABOVE
	TR.-		
	CH.	SHTS.-	SHT. NO.-
		APPROVED.	DRAWING No.-
AMENDMENTS.			<u>MCT-3492</u>
OFD/DO/002	(K. SAINI) JWM/DO.	(S. BHASKAR) AWM/EO.	



(C) Colour: Green  
NCS 0080-G30Y acc. to SS 019102

(D) Numbers and characters,  
no surface treatment

Characters dyed acc. to C and D

Characters to Bold Helvetica condensed

Text height: 3 mm

Line thickness of scale lines 0,5 mm

The figures are placed opposite to each scale line

NOTE :-  
1 DIMENSIONS AFTER SURFACE TREATMENT.  
2 GENERAL TOLERANCES ±0.2

(1) ALL DIMENSIONS ARE IN MILLIMETERS.  
(2) FIRST ANGLE PROJECTION

DR - R K SHARMA

TR -

CH -

APPROVED.

(K. SAINI)  
JMM/DD

DRG. No. -  
COA(II)-792/40

TELESCOPIC SIGHT ASSY. 557 B 14  
SCALE PLATE 751+441

DATE - 03/11/2018

SCALE - N.T.S.

MATL

AS ABOVE

FINISH

AS ABOVE

AMENDMENTS.

OFD/00/002

SHTS.:- 1

SHT. No.:- 1

DRAWING No. -

MCT-3481

Scale line No	751 (A) mm	441 (B) mm
1	8.2	3.6
2	11.6	5.5
3	14.6	7.5
4	17.3	9.5
5	19.8	11.5
6	22.2	13.6
7	24.3	15.7
8	26.4	17.9
9	28.5	20.1
10	30.4	22.4
11	32.4	24.8
12	34.4	27.2
13	36.5	29.7
14	38.6	32.2
15	40.8	34.7
16	43.1	37.4
17	45.4	40.2
18	47.7	43.0
19	50.1	45.9
20		49.0
21		52.1
22		55.3
23		58.6
24		62.0
25		65.5

FOR TRAINING USE  
Date of Issue: 11/06/2018  
Rajiv

MATL. :- SS 4106 alt. EN 485-2, AW-5005-0, t=0.13  
FINISH :- ANODIZED AA CLASS 15 BLACK ACCORDING  
TO TECHNICAL SPECIFICATION 301065774