

FOR EXPLANATION OF DIMENSIONING ETC., SEE CII. TECH. INSTRUCTIONS FIG. 01.
THIRD ANGLE PROJECTION
DIMENSIONS ARE IN MM.

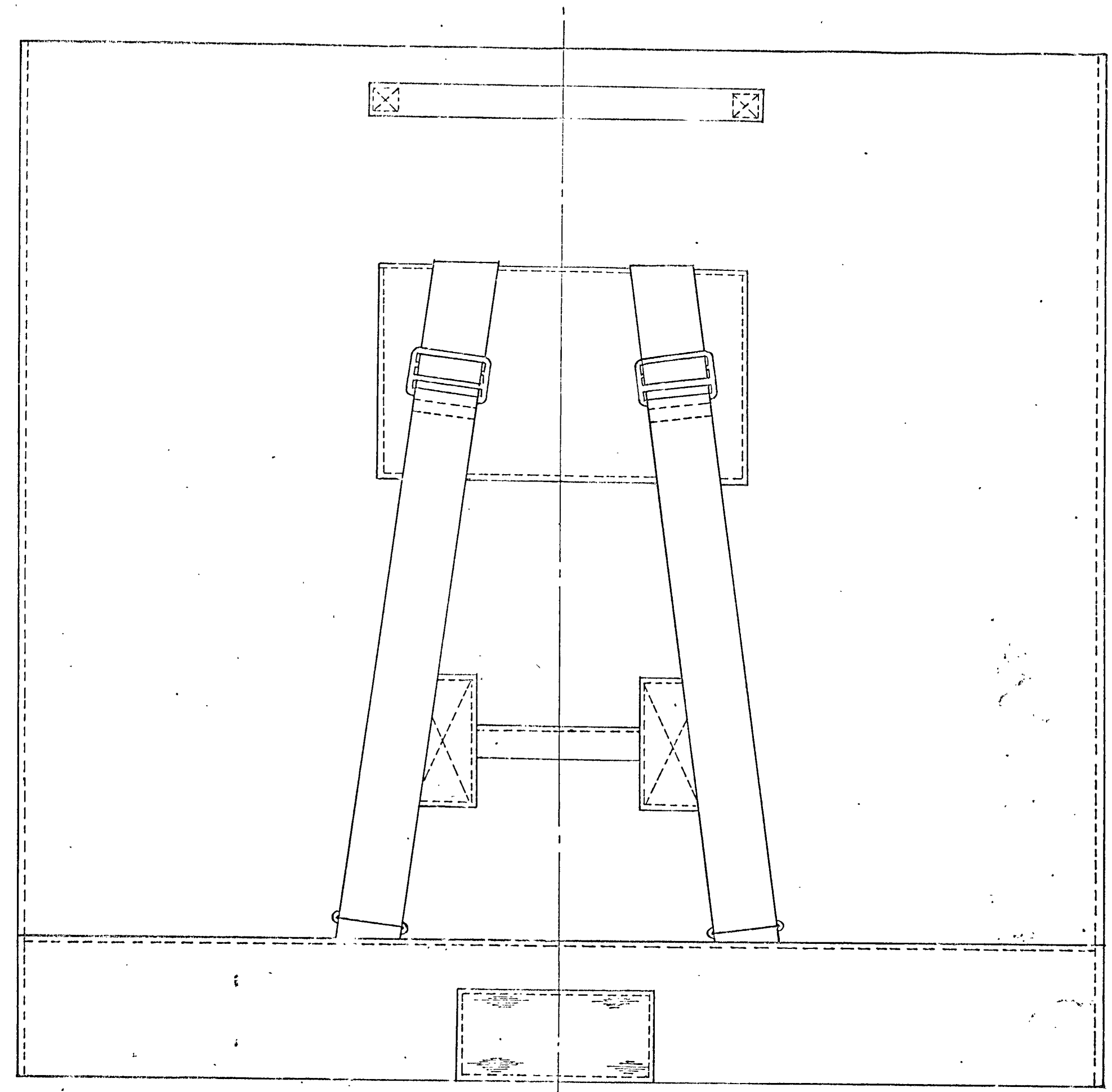
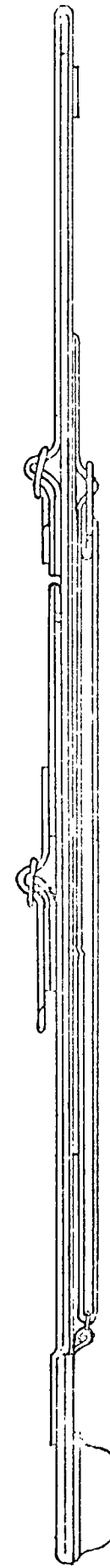
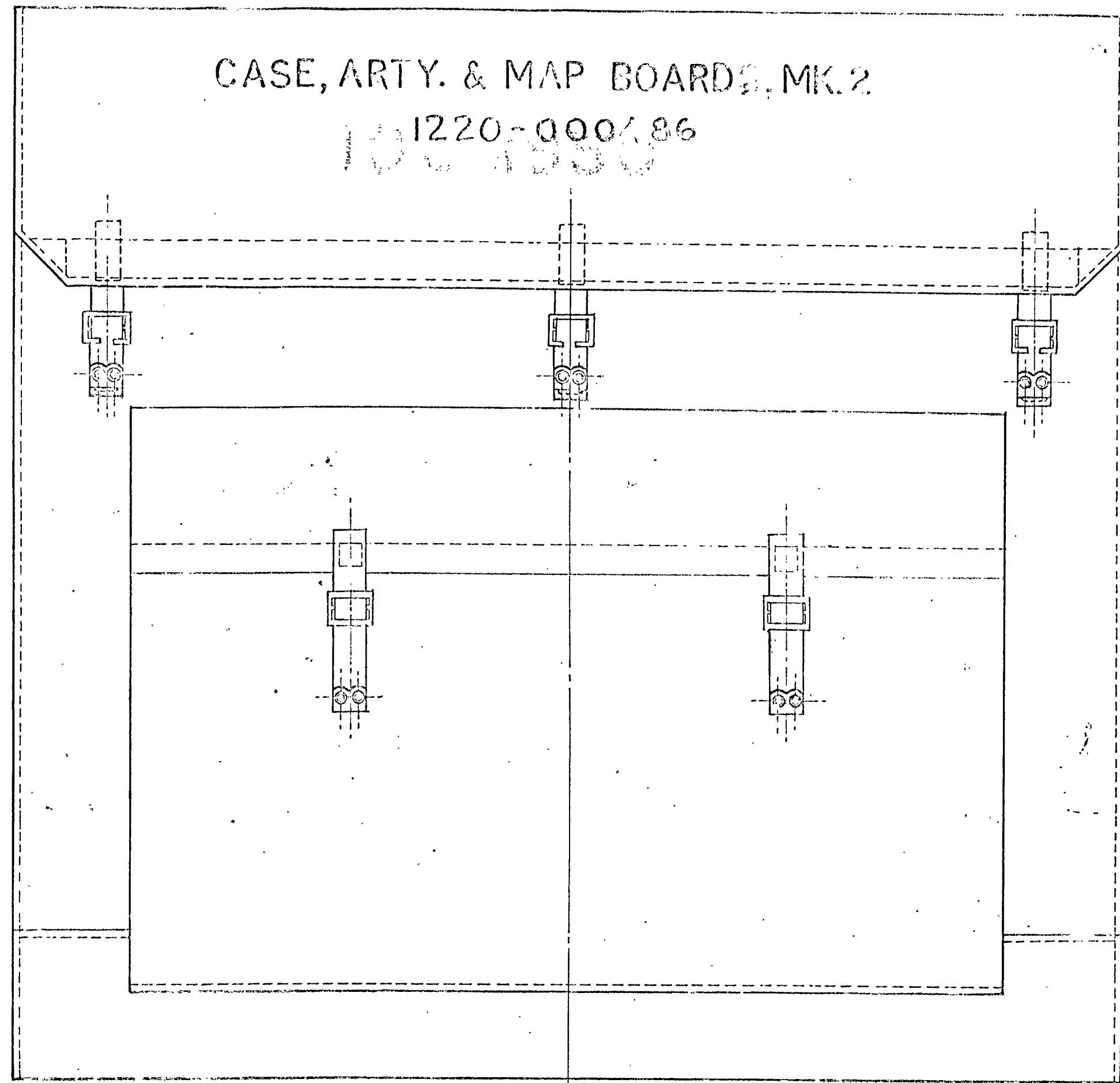
SEALED 1 OCT. 43

AMENDMENTS

DATE & INITIALS	NATURE
10-3-81	D.C.O. 4265-I-DRG. METRICISED & SEALED IN SUPERSESSION OF EXISTING ONE.
	(D.C.O.) 5251-I-NOM. & STENCILLING NOM. AMENDED. CAT/PT. No. & STENCILLING CAT/PT. No.
23-5-88	AMENDED. T. No.

CASE, ARTY. & MAP BOARDS, MK. 2

1220-000486



NOTE:-
(I) SEWING COTTON 9/22 S O.G. (SPECN. No. IND./TC/0279(m)) USED FOR M/C STITCHING.
(II) ALL BRASS COMPONENTS TO BE BRONZED.

SCALE: NOT TO SCALE

CASE, ARTILLERY AND MAP BOARDS, MK 2.

D.C.O. 4648-S, 1067-I, 1259-T, 1324-I, 1778-I, 2311-I, 2469-I, 4265-T, 5251-I.
 TRACED AT CII, DEHRA DUN
 TRACED BY: A. N. ...
 CHECKED BY: ...
 DATE: 29-1-81.

CIA(FC) 1968

DRAWN	TRACED	CHECKED	sdh
sdh	sdh	sdh	FOR C.I.A.

SUPPLIER'S No. O.S. 30986

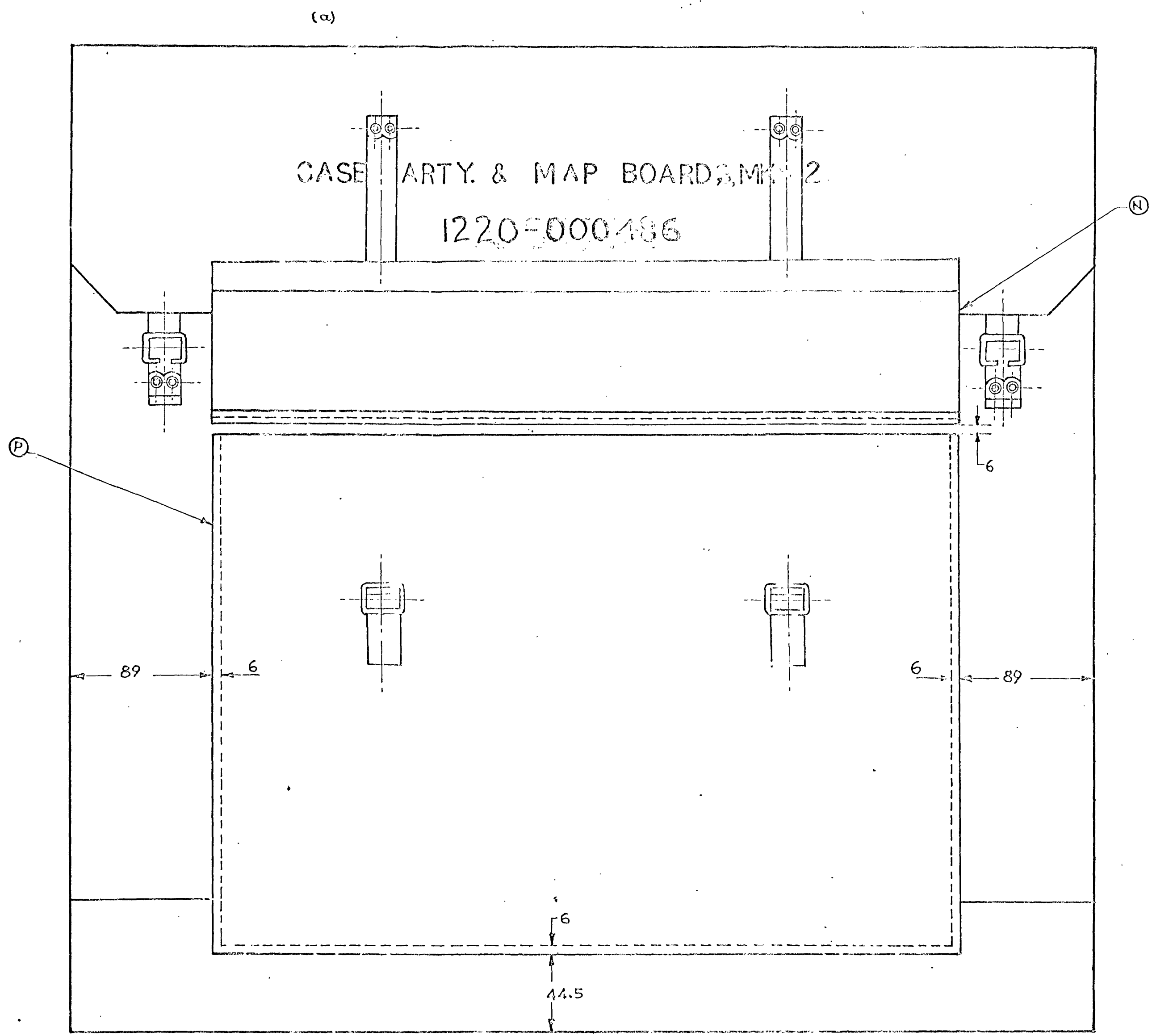
CAT/PART. No. 1220-000486
17-SHEETS SHEET 1

17-SHEETS	SHEET 1
-----------	---------

10F

FOR EXPLANATION OF DIMENSIONING, ETC., SEE CII, TECH. INSTRUCTIONS No. 01
THIRD ANGLE PROJECTION DIMENSIONS ARE IN MM.

AMENDMENTS	
DATE & INITIALS	NATURE
10-3-81	D.C.(0)-4265-I-DRS. METRICISED & SEALED IN SUPERSESSION OF EXISTING ONE.
5	(D.C.O-01)-5251-I-1-NOM. & STENCILLING NOM. AMENDED. CAT/PT. No. & STENCILLING.
23-5-88	CAT/PT. No. AMENDED.



NOTE:-
THE STITCHING INDICATED ON THE DRAWING IS TO BE
5 TO 8 STITCHES 25mm SECURELY FINISHED OFF.

TRACED FROM PHOTO PRINT
NOT TO SCALE

CASE, ARTILLERY AND MAP BOARDS, MK. 2
SHOWING POSITION OF POCKET

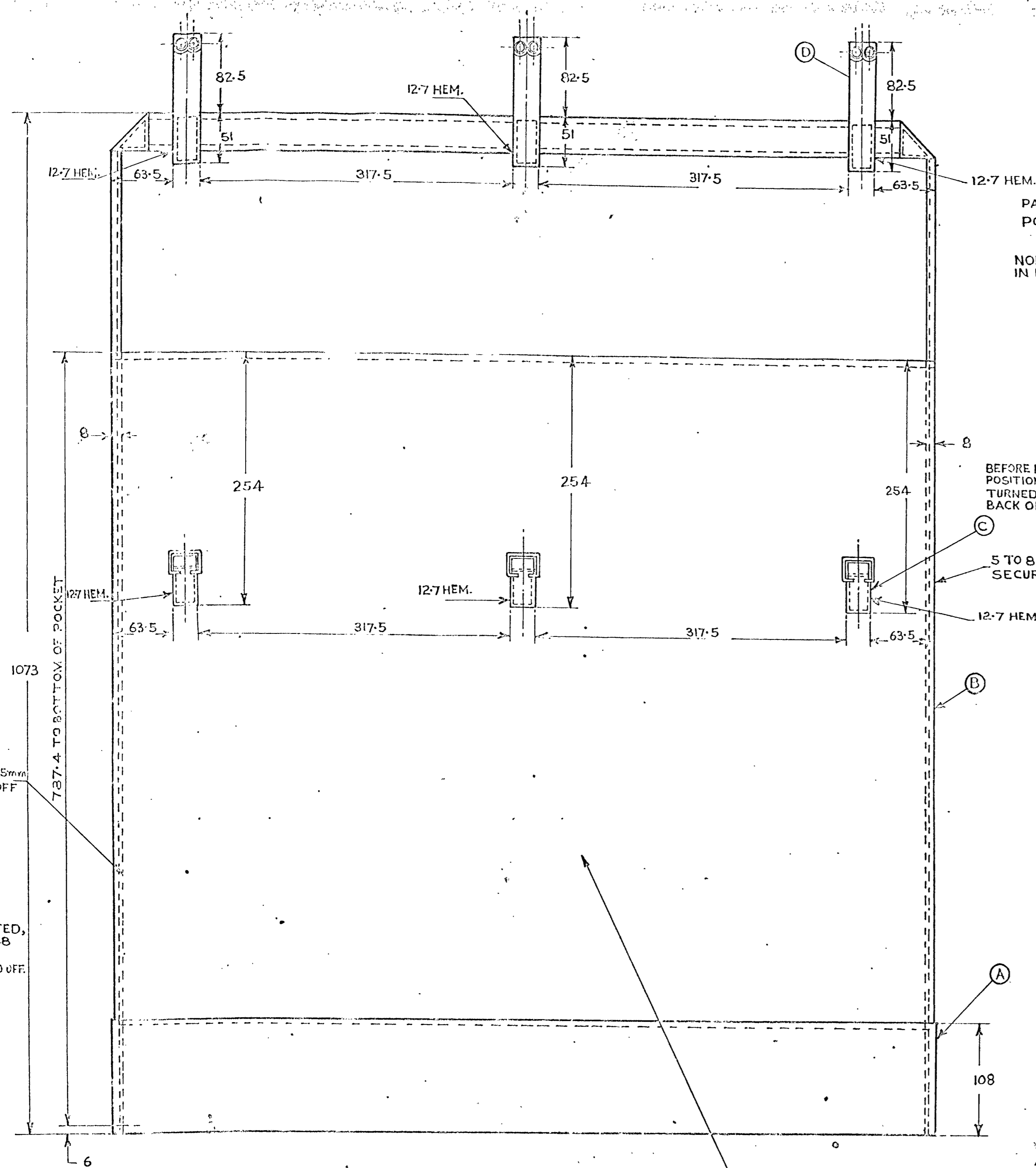
D.C(0)-4648-S, 1067-I, 1778-I, 4265-I, 5251-I

TRACED AT CII, DEHRA DUN
TRACED BY: *sdj*
CHECKED BY: *sdj*
DATE: 6-2-81.

C.I.A (F.C) 1968

DRAWN	TRACED	CHECKED	sdj
sdj	sdj	sdj	FOR C.I.A.
SUPPLIER'S No. O.S. 30986			
17-SHEETS SHEET 2			
CAY/PART No. 1220-000486			
17 SHTS SHT. 2			

AMENDMENTS	
DATE	NATURE
4	DC 01-4265-T DRG. METRICISED & SEALED IN SUP. SECTION OF FISTING CITE.
10-8-8	(D.C. 01)-4368-I.
8.1.82	DM4.3B WAS 12.7.
23.5.88	(D.C. 01)-5251-I 1-NOM. & STENCILLING NOM. AMENDED. CAT/P.T. No. & STENCILLING CAT/P.T. No. AMENDED.



FRONT VIEW

PART No. TO BE STENCILLED IN POSITION INDICATED.

NOMENCLATURE TO BE STENCILLED IN POSITION INDICATED.

BEFORE FITTING (E) & FITTING (L) ARE IN POSITION THE ENDS OF FITTING (C) ARE TURNED BACK 25 & STITCHED TO THE BACK OF FITTING (E).

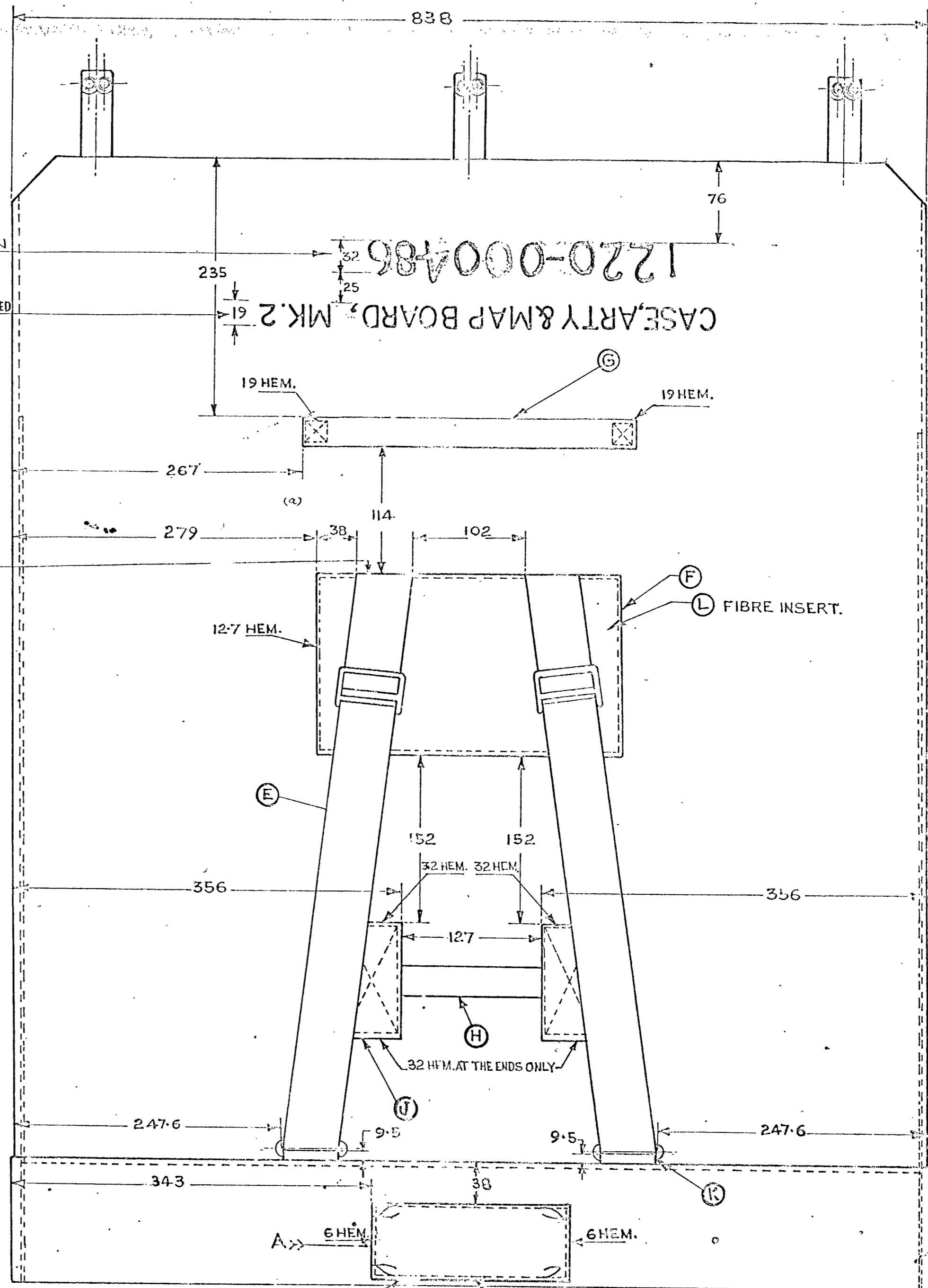
5 TO 8 STITCHES 25 mm, SECURELY FINISHED OFF.

5 TO 8 STITCHES 25 mm, SECURELY FINISHED OFF.

NOTE:- EXCEPT WHERE STATED, STITCHING TO BE 8 STITCHES 25 mm SECURELY FINISHED OFF.

POSITION OF POCKET WILL BE FOUND ON CIA (F.C) 1968 SHEET 2.

VIEW IN THE DIRECTION OF ARROW A, BEFORE STITCHING.



BACK VIEW

FITTING (M) TO BE FILLED WITH HORSEHAIR & STITCHED TO FITTING (A).

NOTE:- BEFORE FITTING (E) IS STITCHED IN POSITION, FITTING (C) TO BE IN POSITION FIRST.

SCALE - NOT TO SCALE

CASE, ARTILLERY AND MAP BOARD, MK. 2

POSITION OF FITTINGS

CAT/PART No. 1220-000486

1220-000486

CIA (F.C) 1968

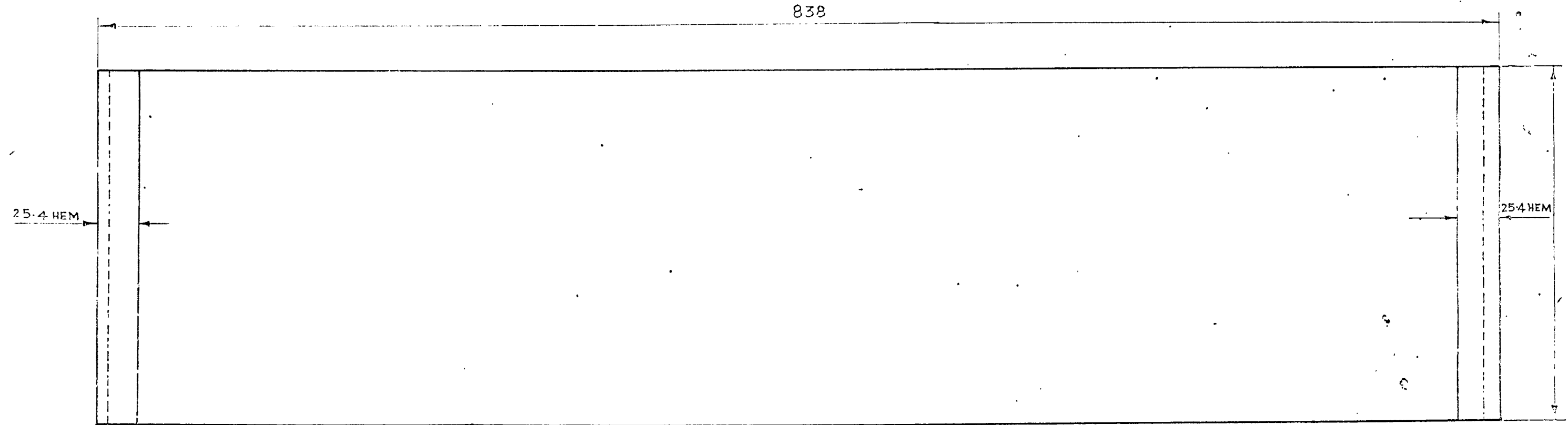
DRY TRACED SHEET FOR CIA

SUPPLIER'S No. OS.30986

17 SHEETS SHEET-3

TRACED AT C. DEHRA DUN.
 TRACED BY:- W.K.S.
 CHECKED BY:- P.W.
 DATE:- 7.2.81
 D.C. (0)-4648-S 1067-I, 1155-I, 1778-I, 4265-T, 4568-I, 5251-I.

(A)



FULL LENGTH OF CANVAS - 398.5

1- OFF

CAT/PART No.
1220-000486

C.I.A. (F.C.) 1968
DETAIL No. 1

DRAWN G.G.	TRACED E.E.	CHECKED R.B.P.	for C.I.A.
---------------	----------------	-------------------	------------

(b) D.C. (U) - 5251 - I - 1 - NOM. & CAT. PT. No. AMENDED	17	23.5.86	SCALE:- NOT TO SCALE
--	----	---------	----------------------

(c) D.C. (U) - 5189 - I - 1 - ALT. MATERIAL ADDED.	16	9.9.87	MATL. DUCK COTTON 22 OZS OLIVE GREEN WATERPROOF 914 (SPECN No 1110/TC102010)
---	----	--------	---

D.C. (U) - 4265 - I - DRG. MODIFIED & SEALED IN SUPERSESSION OF EXISTING ONE.	15	10.3.81.	SEALED:- 1 OCT. 43.
--	----	----------	---------------------

AMENDMENTS	SIG	DATE	SUPPLIER'S No.
------------	-----	------	----------------

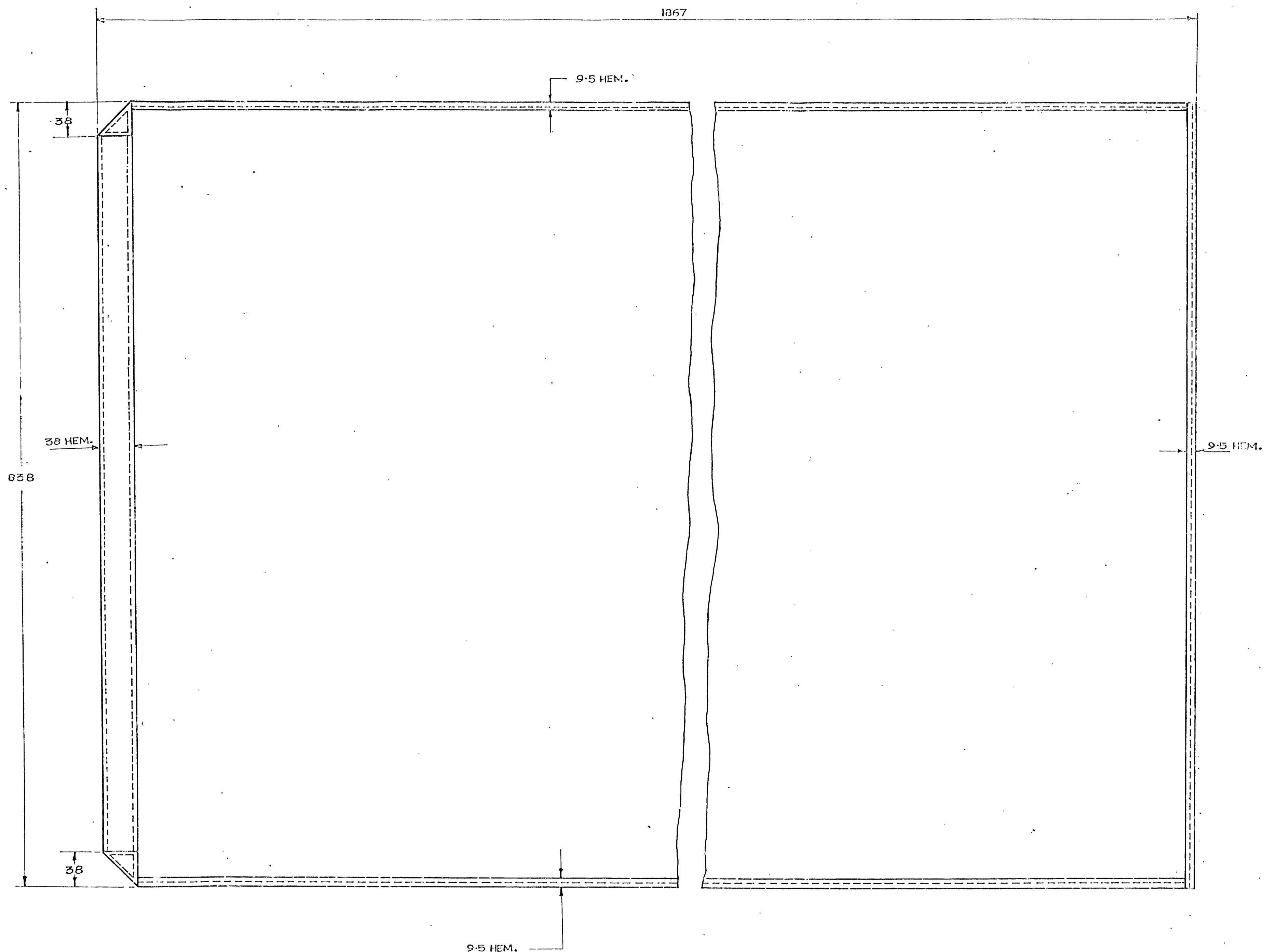
CASE, ARTILLERY & MAP BOARD, MK. 2
O.S. 30986
17-SHEETS SHEET-4

NOTE:-
TO BE IN ITS REQUIRED POSITION WITH FITTING (A) BEFORE STITCHING THE HEMS
TO BE FOLDED THE REQUIRED LENGTH AND THEN THIS DEV. AND FITTING (B)
TO BE STITCHED TOGETHER.

(a) ALTERNATIVE MATL.:-
COTTON CANVAS 680 gm OLIVE GREEN,
WATER PROOF 91 Cms TO SPECN. IS: 1424.

D.C. (U) :- 4648-5, 1067-I, 1259-I, 1433-I, 2254-I, 2311-I, 2469-I, 4263-I, 5159-I, 5251-I.

TRACED BY: CII, DEHRADUN
CHECKED BY: J. K. S. S.
DATE:



- NOTE:-
1. ALL STITCHING TO BE 8 STITCHES/25 mm SECURELY FINISHED OFF.
 2. THE 9.5 HEMS NOT TO BE STITCHED UNTILL FITTING "A" IS IN POSITION. TO ENABLE BOTH ITEMS TO BE STITCHED TOGETHER.

ALTERNATIVE MATL:-
 COTTON CANVAS 680 gm OLIVE GREEN, WATER
 PROOF 91 cm TO SPECN. IS:1424.

CAT/PART No 101220-000486		C.I.A (FC) 1968 DETAIL No. 2	
DRAWN	TRACED	CHECKED	FOR C.I.A
SCALE:- NOT TO SCALE		Sd/-	
MATERIAL ADDED:-		MATERIAL:- DUCK COTTON 22 OZ. OLIVE GREEN WATER PROOF SPECN. INDIA 2010	
SEALING:-		1 OCT. 13	
AMENDMENTS		SUPPLIER'S No	
CASE, ARTILLERY & MAP BOARD MK2		O.S. 30986	
17 SHEETS		SHEET 5	

D.C.(I) 1-4648-S, 1067-Z, 1155-I, 1259-I, 1433-Z, 2254-I, 2469-I, 4265-I, 5159-I, 5251-I.

RE-TRACED AT C/O, DEHRADUN
 TRACED
 CHECKED
 DATE

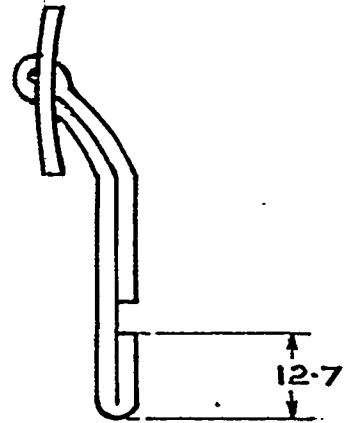
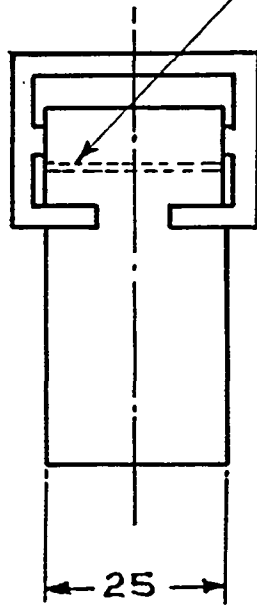
51

FOR EXPLANATION OF DIMENSIONING, ETC., SEE CII TECH. INSTRUCTIONS No. 01
THIRD ANGLE PROJECTION. DIMENSIONS ARE IN mm.

(C)

DOUBLE STITCHED, 8 STITCHES
PER 25mm SECURELY FINISHED OFF

BUCKLE BRASS 25 W.E. PATT. 37
(SPEC. No. IND./GS/468 (LATEST)).



FULL LENGTH OF CANVAS:- 108

5 - OFF

CAT./PART. No.
1220-000486

C.I.A (F.C) 1968
DETAIL No.-3 Sd/

DRAWN Sd/- TRACED Sd/- CHECKED Sd/- FOR C.I.A.

SCALE:- NOT TO SCALE

MATL:- WEB, OLIVE GREEN THICK
25 IS: 64 88

SEALED - 1 OCT. 43.

SUPPLIER'S No.

O.S. 30986
17 SHEETS SHEET- 6

(D.C. (I)):- 5251 - I1 - NOM. & CAT/PT. No. AMENDED. <i>Path</i>		23.5.88
D.C. (I):- 4265 - I:- DRG. METRICISED & SEALED IN SUPERSESSION OF EXISTING ONE.	1	10.3.81.
AMENDMENTS.	SIG.	DATE.

CASE, ARTILLERY & MAP BOARD, MK. 2
(2)

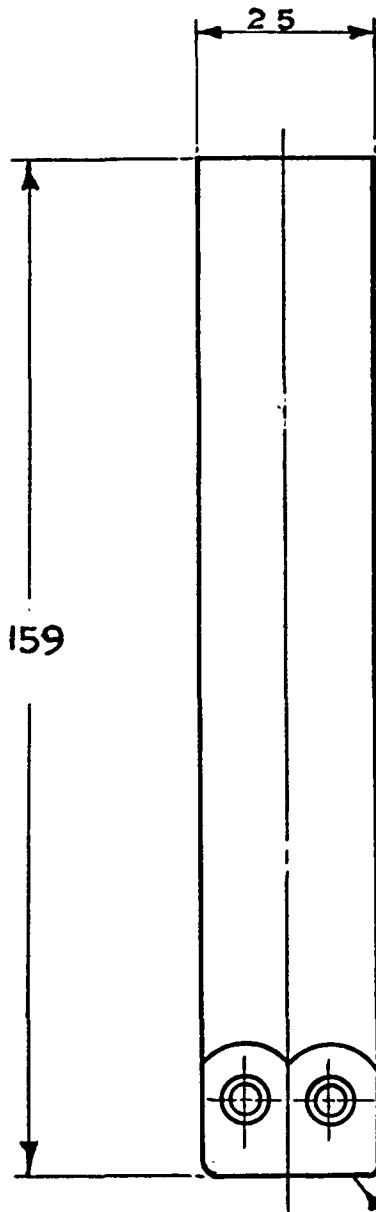
D.C. (I):- 1067-I, 1259-I, 1324-I, 2561-I, 3104-I, 4265-I, 5251-I.
TRACED AT CII, DEHRA DUN
TRACED BY:- V/Ko.
CHECKED BY:- *Path*
DATE:- 14.2.81

FOR EXPLANATION OF DIMENSIONING, ETC., SEE C.I. TECH. INSTRUCTIONS No. 01

THIRD ANGLE PROJECTION

DIMENSIONS ARE IN mm

(D)



TIPS BRASS 25 W.E. PATT. 37
TO SPEC. IND./GS/468 (LATEST)
WITH EYELETS W.E.

D.C.(I): 4-648-S, 1067-I, 1259-I, 1324-I, 2561-I, 3104-I, 4265-I, 5251-I

TRACED AT CIIDEHRA DUN
TRACED BY :- *Math*
CHECKED BY :- *Math*
DATE :- 27.1.81

5-OFF

		CAT/PART No. 1220-000486		(a)
		17 SHEETS SHEET 7		
		C.I.A (F.C) 1968		
		DETAIL No. 4		
		S/D: 1.10.1943		
		DRAWN G.G.	TRACED LES	CHECKED S/D
		FOY C.I.A.		
		SCALE :- NOT TO SCALE		
D.C.(I): 4265-I-DRG. METRICISED & SEALED IN SUPERSESSION OF EXISTING ONE.		23.5.88	MATL:- MEB, OLIVE GREEN THICK 25.15:6488.	
AMENDMENTS		SIG:	DATE	
CASE, ARTILLERY & MAP BOARD, MK. 2		SUPPLIER'S No.		
(8)		O.S. 30986		
		17 SHEETS SHEET 7		

FOR EXPLANATION OF DIMENSIONING, ETC., SEE CII, TECH. INSTRUCTIONS No. 01

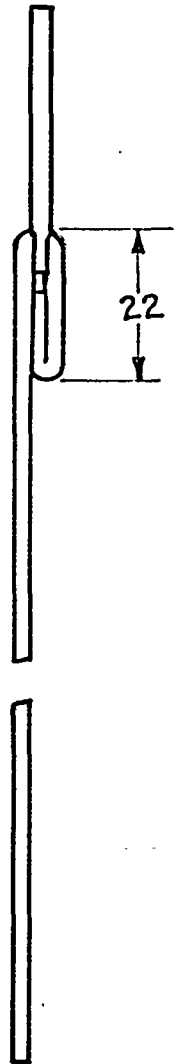
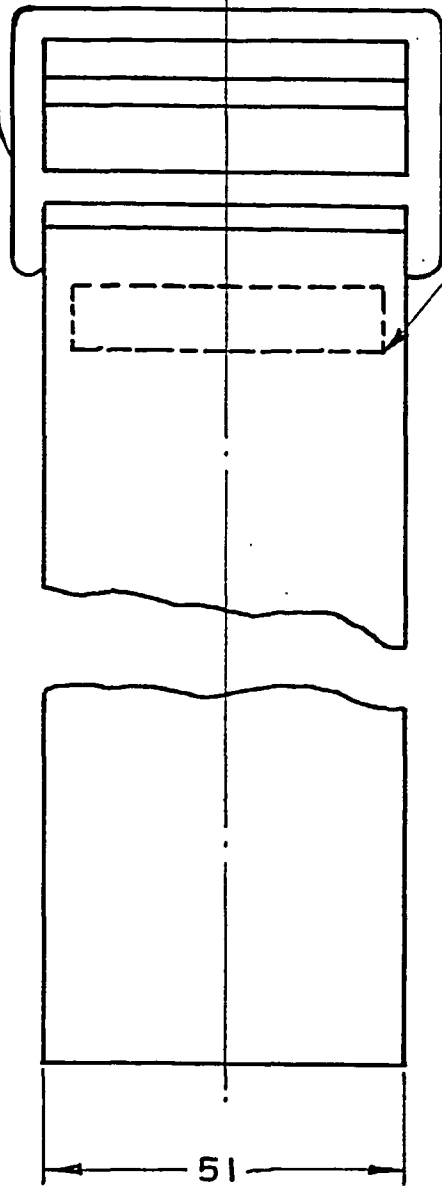
THIRD ANGLE PROJECTION

DIMENSIONS ARE IN mm

BUCKLE BRASS 51 TO SPEC. IND/GS/
3452 WITH LOOP (TO H & S FY. DRG.
No. 1255).

(a)
E

8-STITCHES PER 25 mm
SECURELY FINISHED OFF.



FULL LENGTH OF CANVAS 1016

2-OFF

D.C.(I):- 4648-S, 1067-I, 1259-I, 1324-I, 1359-I, 2561-I, 3104-I, 4265-I, 4368-I, 5251-I

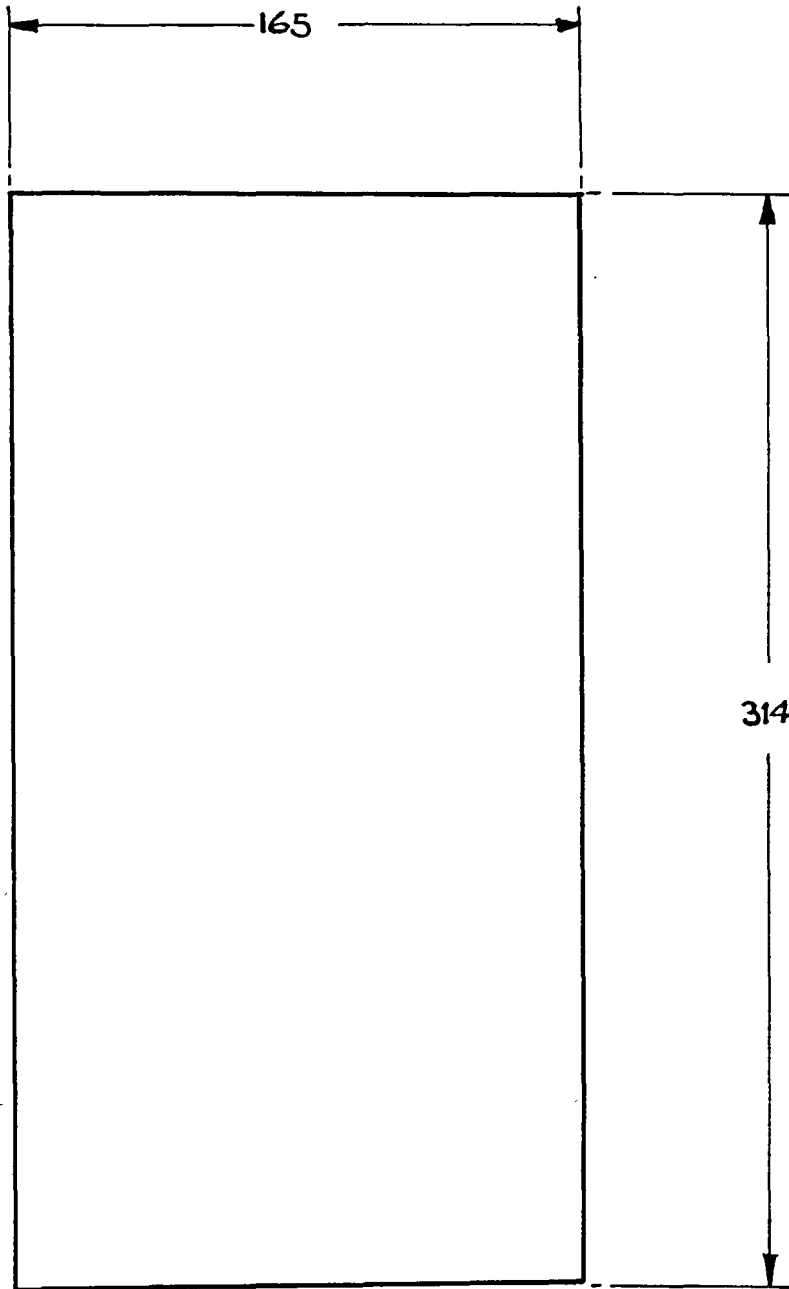
RETRACED AT CII, DEHRADUN
TRACED BY:- *R. S. Singh*
CHECKED BY:- *J. D. Singh*
DATE:-

		CAT/PT. No. (b) 1220-000 486	
		CIA (FC) 1968 DETAIL No. 5 <i>sd/-</i> 1.10.1943	
		DRAWN G.G.	CHECKED <i>sd/-</i> for CIA
(b) D.C.(I):- 5251-I:- NOM. & CAT/PT. No. AMENDED		23-5-88	SCALE :- NOT TO SCALE
(a) D.C.(I):- 4368-I. "E" ADDED.	<i>W</i>	8.1.82	MATL:- WEB, OLIVE GREEN THICK 51 IS: 6488
D.C.(I):- 4265-I:- DRG. METRICISED & SEALED, IN SUPERSESSION OF EXISTING ONE.	<i>J</i>	10-3-81	SEALED:- 1 OCT. 43
AMENDMENTS	SIG.	DATE	SUPPLIE'S No.
CASE, ARTILLERY & MAP BOARD MK-2		O.S. 309 86	
(b)		17 SHEETS SHEET 8	

5E

FOR EXPLANATION OF DIMENSIONING, ETC., SEE CII. TECH. INSTRUCTIONS No. 01.
THIRD ANGLE PROJECTION DIMENSIONS ARE IN mm.

F



1- OFF.

MATL:- DUCK COTTON 22 OZS. OLIVE GREEN
WATERPROOF 913 SPECN No. IND./TC/0201.

CAT/DART No.

1220-000486

C.I.A. (F.C.) 1968.

DETAIL No. 6.

Sd/-
1.10.43.

DRAWN TRACED CHECKED
Sd/- Sd/- Sd/- for C.I.A.

SCALE :- NOT TO SCALE.

(2) D.C.(1):- 5251-I-1.
NOM & CAT/PT. No. AMENDED. *J. H.*
D.C.(1):- 4265-I- DRG. METRICISED & SEALED
IN SUPERSESSION OF EXISTING ONE. *L*

23.5.88

MATL :- SEE ABOVE.

SEALED:- 1.OCT. 43.

SIG. DATE

SUPPLIER'S No.

O.S. 30986.

CASE, ARTILLARY & MAP BOARD, MK-2

17 SHEETS

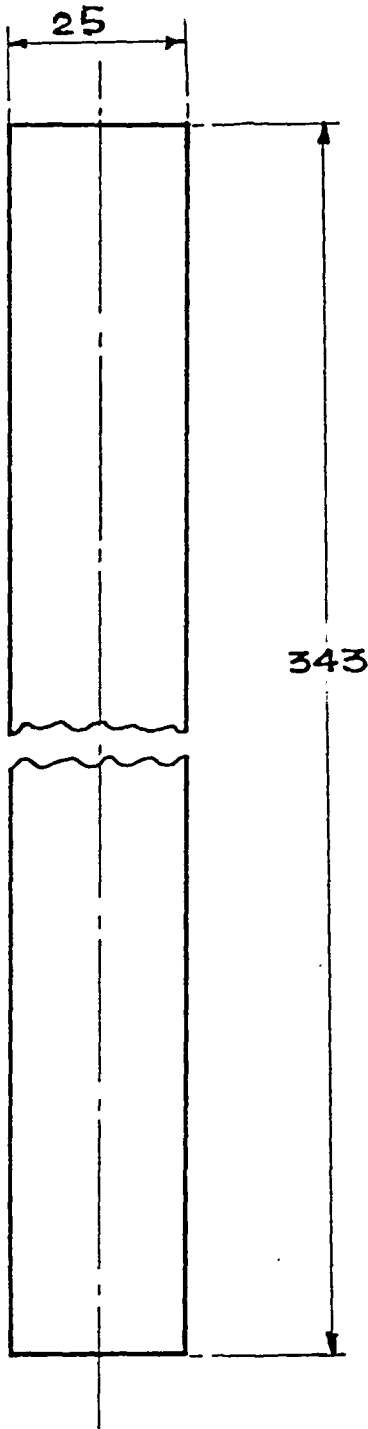
SHEET 9.

TRACED AT CII. DEHRA DUN.
TRACED BY :- *C. S. D. G.*
CHECKED BY :- *J. H.*
DATE :- 30.1.1981.



FOR EXPLANATION OF DIMENSIONING ETC, SEE CII, TECH. INSTRUCTIONS No.01
THIRD ANGLE PROJECTION DIMENSIONS ARE IN mm.

(G)



D.C.(I) No. 4648-S, 1067-I, 1259-I, 1324-I, 2561-I, 4265-I, 5251-I.

1-OFF

CAT/PART No.
1220-000486 (2)

C.I.A. (F.C) 1968
DETAIL No.7

DRAWN M.W.	TRACED S/d	CHECKED S/d	for C.I.A.
---------------	---------------	----------------	------------

SCALE :- NOT TO SCALE

D.C.(I):- 5251-I:-
Nom. & CAT/PT. No. AMENDED. *True*

23.5.88

MATL:- WEB, OLIVE GREEN THICK
25 IS: 6488

D.C.(I):- 4265-I:- DRG. METRICISED & SEALED
IN SUPERSESION OF EXISTING ONE.

10-3-81

SEALED:- 1 OCT. 43

AMENDMENTS

DATE

SUPPLIER'S No

OS 30986

CASE, ARTILLERY & MAP BOARD, MK-2
(2)

17 SHEETS

SHEET 10

RE-TRACED AT CII, DEHRADUN
TRACED *James*
CHECKED *James* CHECKED
DATE :-

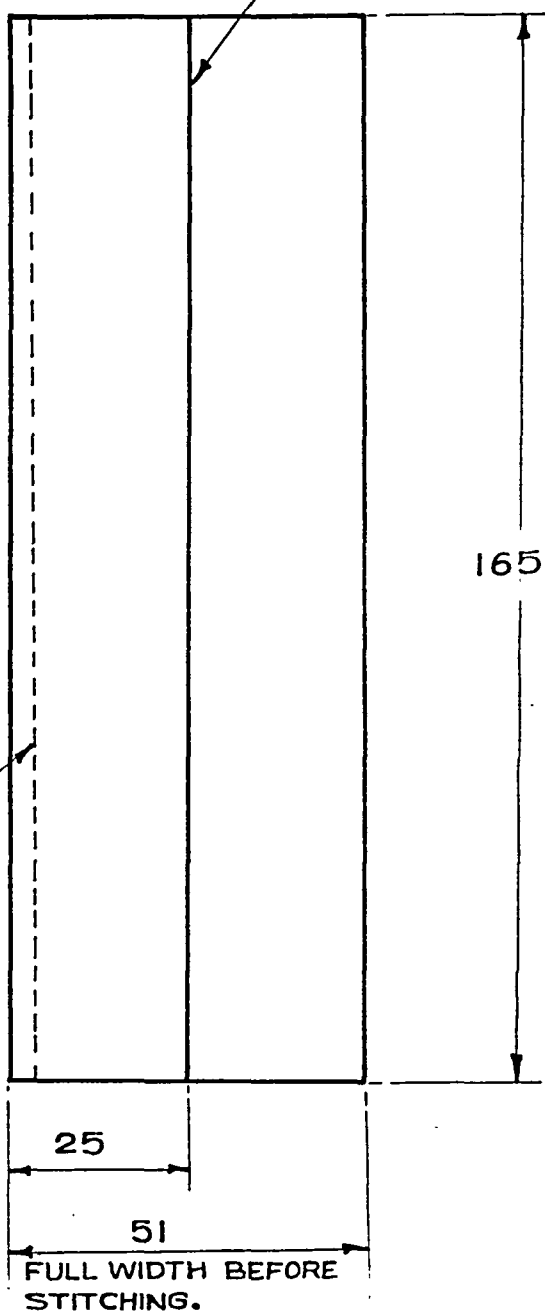
5E

FOR EXPLANATION OF DIMENSIONING ETC, SEE CII, TECH. INSTRUCTIONS No-01
THIRD ANGLE PROJECTION DIMENSIONS ARE IN mm

(H)

FOLD HERE AND STITCH TO FITTING (A)

8 STITCHES PER 25 mm. SECURELY FINISHED OFF.



D.C.(I) No. 4648-S, 1067-I, 1259-I, 1324-I, 2561-I, 4265-I, 5251-I.

1-OFF

RE-TRACED AT CII, DEHRADUN
TRACED *Swathi*
CHECKED *Swathi* CHECKED
DATE :-

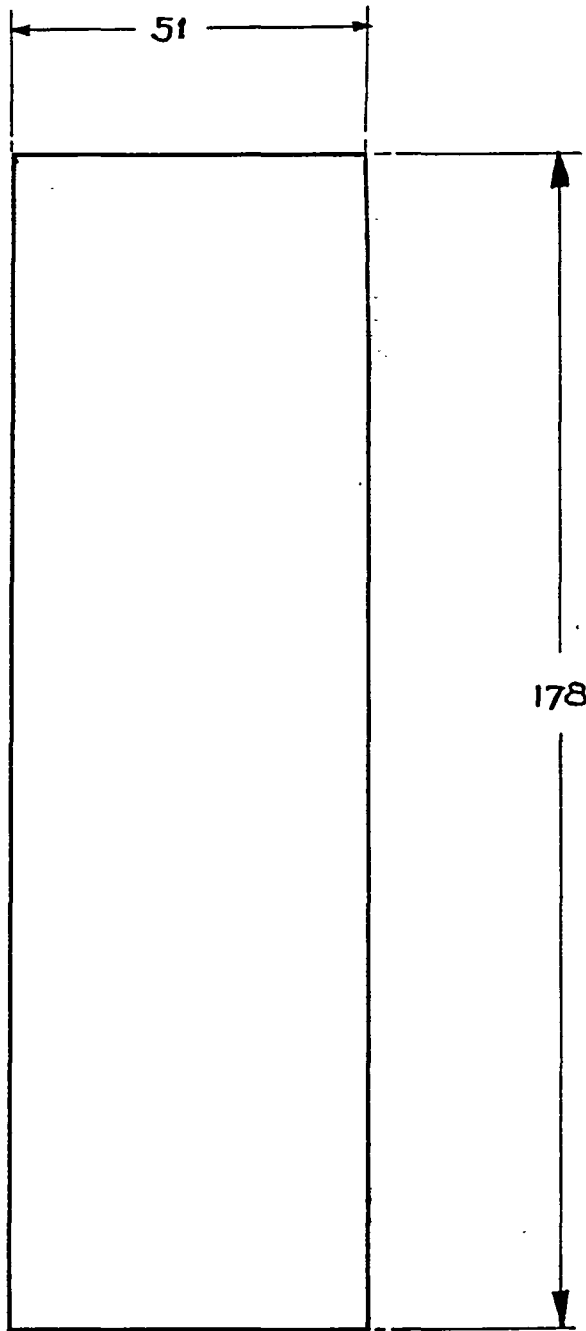
		CAT/PART No. 1220-000486		(a)
		C.I.A. (F.C.) 1968 DETAIL No. 8		
		DRAWN GG	TRACED EE	CHECKED 5/2
		SCALE:- NOT TO SCALE		fot C.I.A.
(a) D.C.(I):- 5251-I:- NOM. & CAT/PT. No. AMENDED.		<i>Full</i> 23.5.88	MATL-WEB. OLIVE GREEN THICK 51, IS: 6488	
D.C.(I):- 4265-I:- DRG. METRICISED & SEALED IN SUPERSESSION OF EXISTING ONE.		<i>1-20-381</i>	SEALED :- 1 OCT. 43	
AMENDMENTS		DATE		SUPPLIER'S No.
CASE, ARTILLERY & MAP BOARD, MK2		OS 30986		17 SHEETS SHEET 11

(a)

5E

FOR EXPLANATION OF DIMENSIONING, ETC., SEE CII. TECH. INSTRUCTIONS No. 1
THIRD ANGLE PROJECTION. DIMENSIONS ARE IN mm.

J.



1-OFF.

D.C.(I):- 4648-S, 1067-I, 1259-I, 1324-I, 2561-I, 4265-I, 5251-I.

TRACED AT CII. DEHRA DUN.
 TRACED BY :- C. S. D. *C.S.D.*
 CHECKED BY :- *Pruthi*
 DATE :- 28.1.81.

CAT/PART No.		1220-000486
C.I.A.(F.C) 1968		sd/-
DETAIL No. 9.		
DRAWN	TRACED	CHECKED For C.I.A.
SCALE:- NOT TO SCALE.		
MATERIAL: WEB, OLIVE GREEN THICK		51, IS: 6489.
SEALING: 1. OCT. 43.		
SUPPLIER'S No.		O.S. 30986
17 SHEETS		SHEET 12.

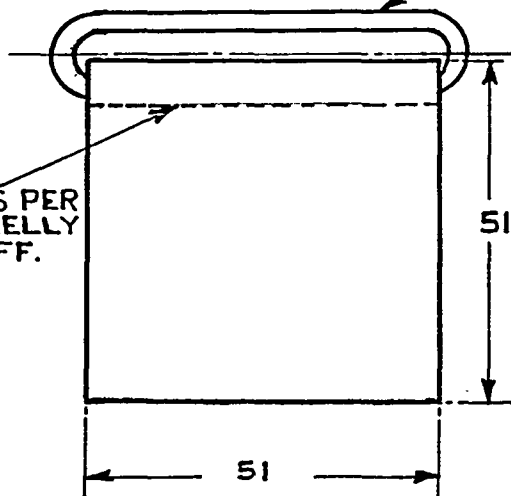
(a) D.C.(I):- 5251-I:- NOM & CAT/PT. No. AMENDED. <i>Pruthi</i>		23.5.88
D.C.(I):- 4265-I:- DRG. METRICISED & SEALED IN SUPERSESSION OF EXISTING ONE. <i>Pruthi</i>		10.3.81.
AMENDMENTS	SIG.	DATE
CASE, ARTILLERY MAP BOARD, MK. 2		

FOR EXPLANATION OF DIMENSIONING, ETC., SEE CII. TECH. INSTRUCTIONS No. 01
THIRD ANGLE PROJECTION. DIMENSIONS ARE IN mm

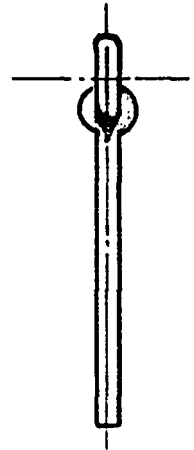
(K)

D.C.(I):- 4648-S, 1067-I, 1259-I, 1324-I, 2561-I, 4265-I, 5251-I.

8 STITCHES PER
25mm SCURELLY
FINISHED OFF.



LOOP BRASS 50 (SPECN. No. IND/
TC/3452) BLACK BRONZED



2 OFF.

FULL LENGTH OF CANVAS:- 114

(a)

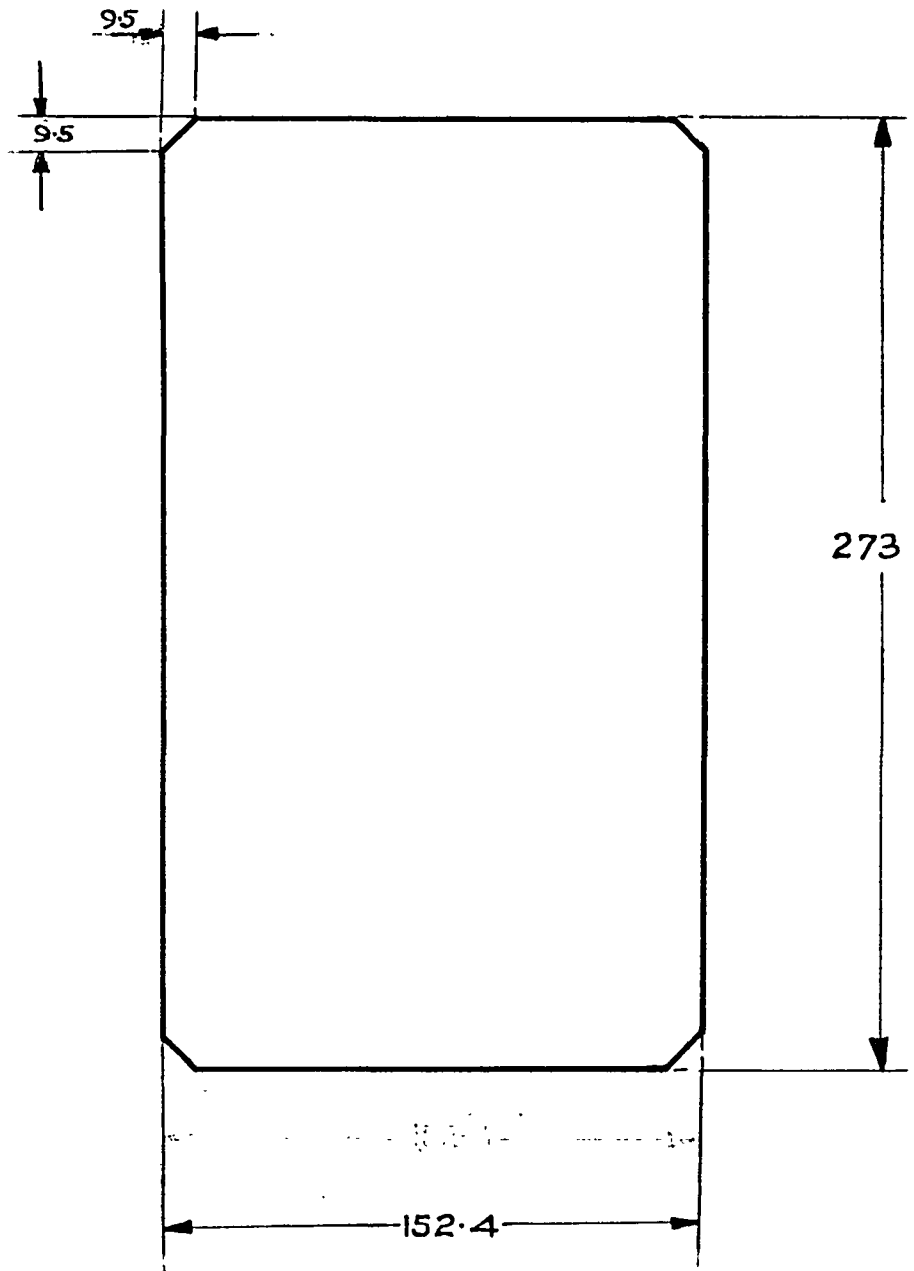
CAT/PART. No.
1220-000486

TRACED AT CII. DEHRADUN.
TRACED BY:- V.K. Kulkarni
CHECKED BY:- J. Kulkarni
DATE:- 28.1.81

		C.I.A (F.C.) 1968 DETAIL No 10	
		DRAWN Sdl-	TRACED Sdl-
		CHECKED Sdl-	fof C.I.A.
		SCALE:- NOT TO SCALE	
D.C.(I):- 5251-I:- NOM. & CAT/PT No. AMENDED. <i>J.K.</i>		23.5.88	MATL:- WEB OLIVE GREEN THICK SI. IS: 6488
D.C.(I):- 4265-I:- DRG. METRICISED & SEALED IN SUPERSESSION OF EXISTING ONE. <i>J.K.</i>		10.3.81	SEALED:- 1 OCT. 43
AMENDMENT		SIG	DATE.
CASE, ARTIL LERY & MAP BOARD, MK.2		SUPPLIER'S No. O.S. 30986	
		17 SHEETS SHEET 13	

FOR EXPLANATION OF DIMENSIONING, ETC., SEE CII TECH INSTRUCTIONS No. 01
THIRD ANGLE PROJECTION. DIMENSION ARE IN mm.

(L)



MATL:-
VULCANIZED FIBER, RED SHEET
3.2 mm THICK, IND/GS/1473

1-OFF

CAT./PART No. (a)
1220-000486

CIA (F.C) 1968
DETAIL. No. 11 SD/-

DRAWN SD/-	TRACED SD/-	CHECKED SD/-	FOR C.I.A.
---------------	----------------	-----------------	------------

SCALE :- NOT TO SCALE.

(a) D.C.(U): 5251 - I1 -
NOM & CAT/PT. No AMENDED. *Full* 23.5.88

D.C.(U): 4265-I. DRG. METRICISED & SEALED
IN SUPERSESSION OF EXISTING ONE. *Full* 10.3.81.

AMENDMENT	SIG.	DATE
-----------	------	------

MATL :- SEE ABOVE.

SEALED 1 OCT. 43

SUPPLIER'S No.

CASE, ARTILLERY & MAP BOARD, MK.2
(9)

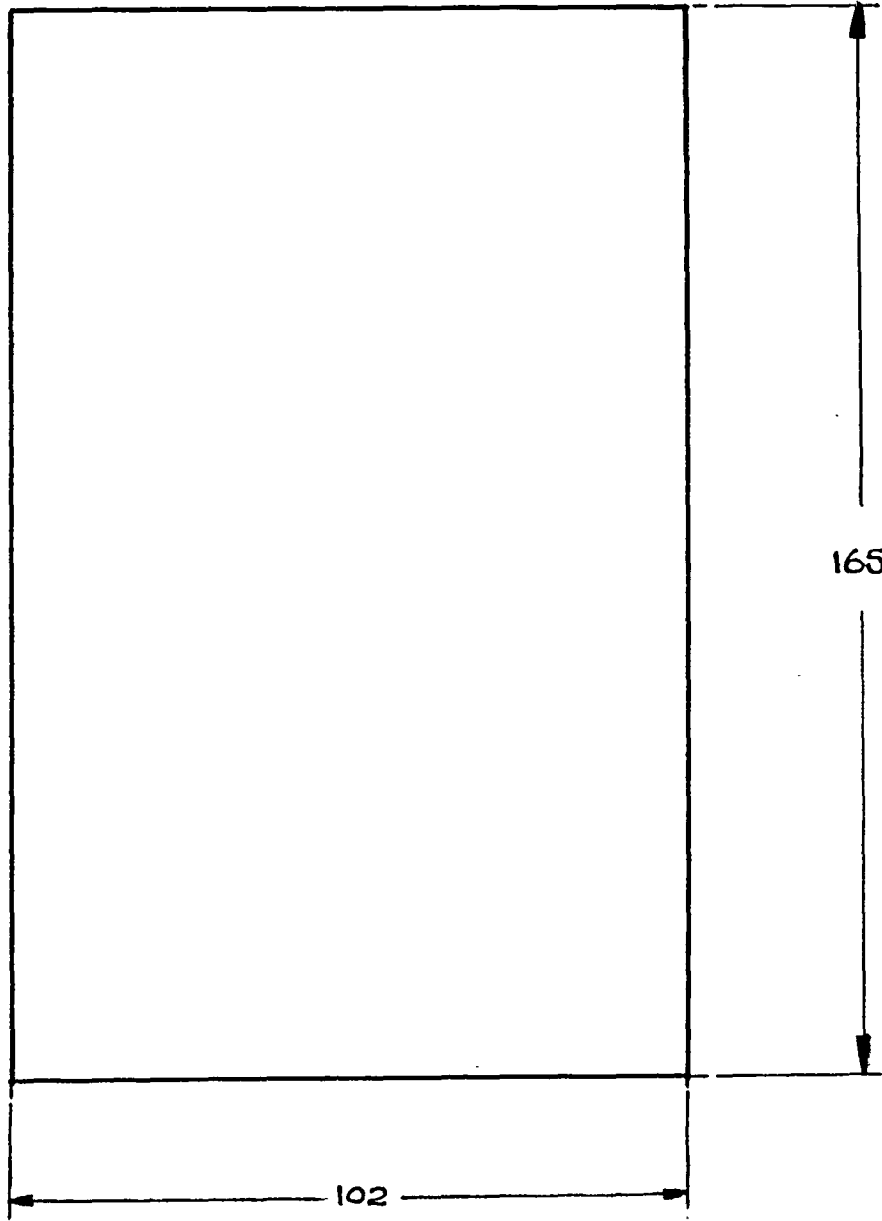
O.S. 30986.
17 SHEETS SHEET 14

D.C.(I) No.:- 4648-S, 1067-I, 3104-I, 4265-I, 5251-I.

TRACED AT CII, DEHRA DUN.
TRACED BY:- *C.S. Dehra Dun*
CHECKED BY:- *Fruth*
DATE :- 23.1.81.

FOR EXPLANATION OF DIMENSIONING, ETC., SEE, CII. TECH. INSTRUCTION No.01.
 THIRD ANGLE PROJECTION DIMENSIONS ARE IN mm.

(M)



1- OFF

CAT/ PART No. (M)
 1220-00048.6

C.I.A. (F.C.) 1968
 DETAIL No. 12. sd/-

DRAWN sd/-	TRACED sd/-	CHECKED sd/-	FOR C.I.A.
---------------	----------------	-----------------	------------

SCALE:- NOT TO SCALE.

MATL:- WEB, OLIVE GREEN THICK
 115 mm. IS: 6488.

SCALE:- 1 OCT.43.

SUPPLIER'S No.
 O.S. 30986
 17 SHTS. SHT.15.

(D.C.0):-5251-I:-
 NOM. & CAT/PT. No. AMENDED. 23.5.88

(D.C.0):-4265-I:- DRG. METRICISED & SEALED
 IN SUPERSESSION OF EXISTING ONE. 10.3.81.

AMENDMENT SIG. DATE

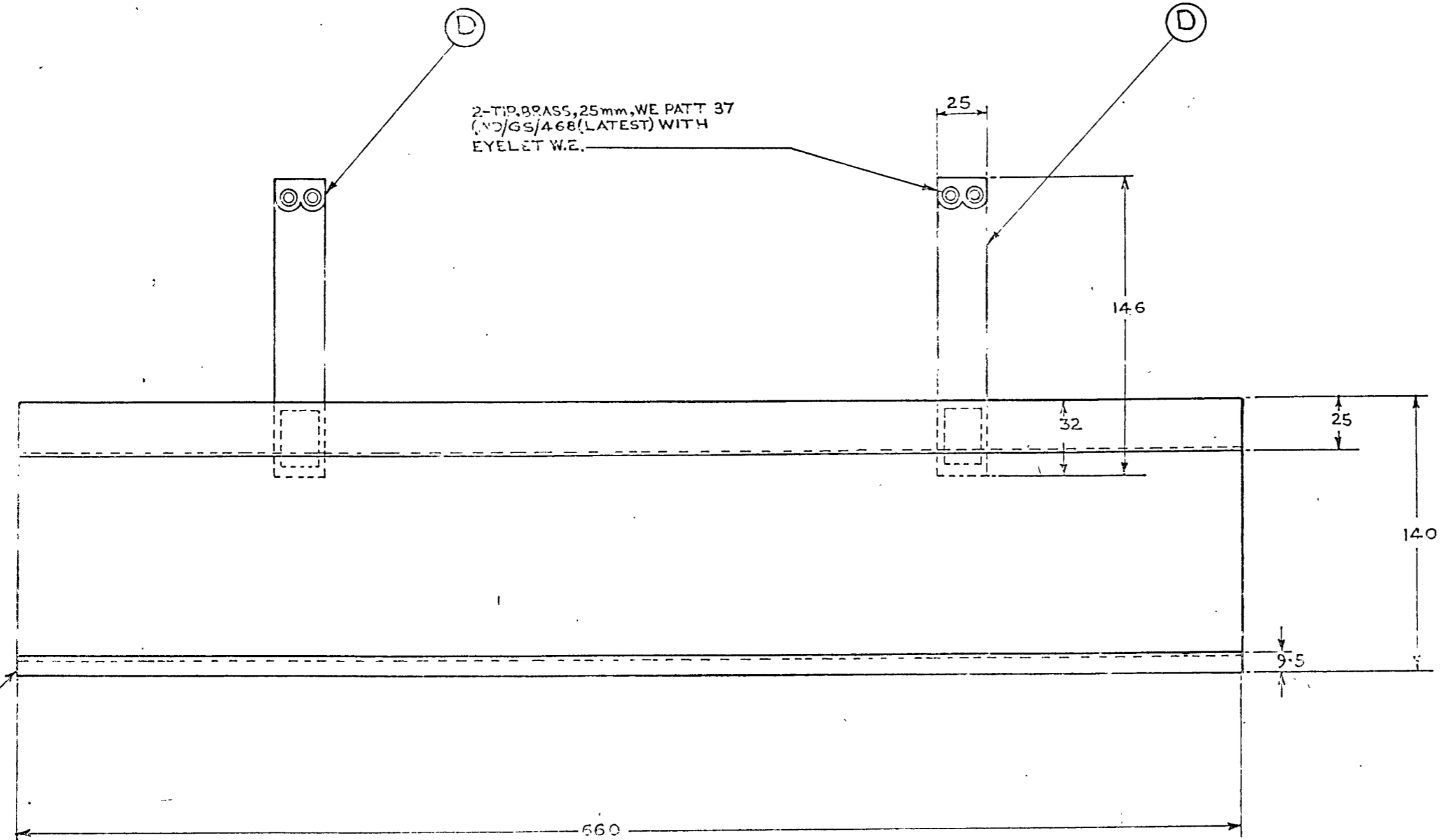
CASE, ARTILLERY & MAP BOARD, MK.2

D.C.(I):-4648-S,1067-I,1259-I,1324-I,2561-I,4265-I,5251-I.

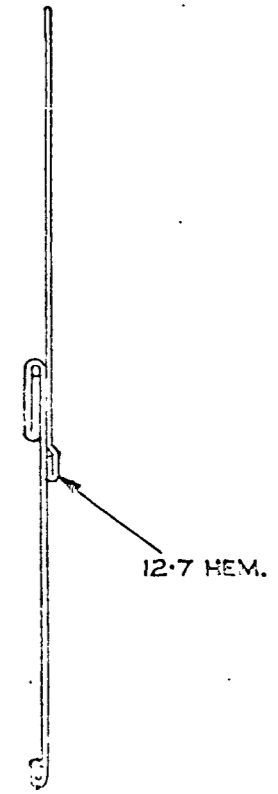
TRACED AT CII DEHRA DUN
 TRACED BY:- C.S. Jain
 CHECKED BY:- Jyoti
 DATE :- 27.1.81.

(N)

D.C.(I)-4 548-S, 1067-I, 1259-I, 1433-I, 2254-I, 2469-I, 3104-I, 4265-I, 5159-I, 5251-I



2-TIP BRASS, 25mm, WE PATT 37
(NO/GS/468(LATEST) WITH
EYELET W.E.



(a)

ALTERNATIVE MATL. :-
COTTON CANVAS 680 gm OLIVE GREEN, WATER
PROOF 91 CTS TO SPECN. IS: 1424.

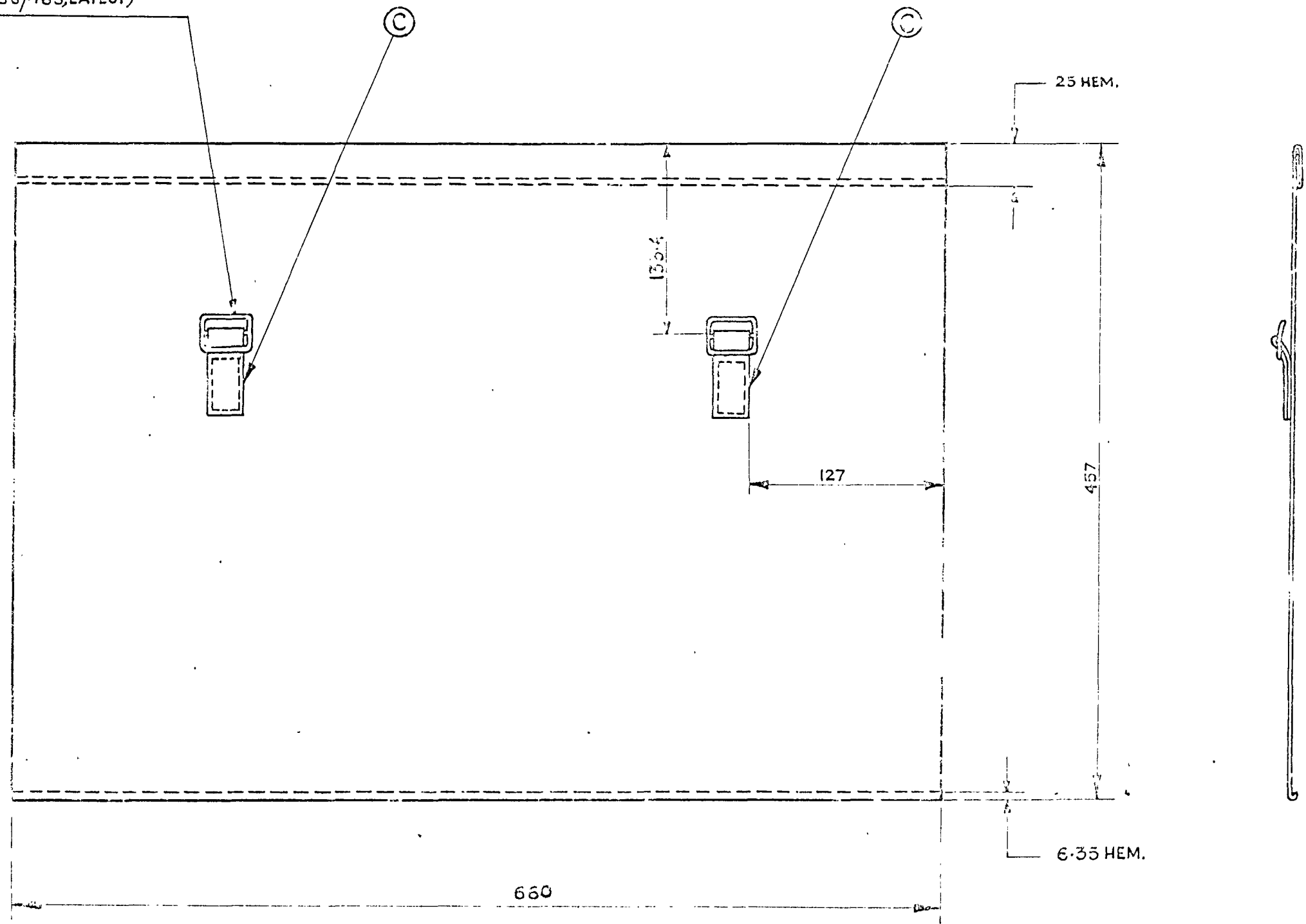
I-OFF

CAT/PART No.		1220-000436 (b)	
C.I.A.(FC) 1963		sd/	
DETAIL No. 13			
DRAWN	TRACED	CHECKED	FOR C.I.A.
sd/	sd/	sd/	
SCALE:- NOT TO SCALE			
MATERIAL:- DUCK COTTON 22 OZS OLIVE GREEN		WATERPROOF 91 (SPECN. IS: 1424)	
D.C.(I)-4265-I-DRG. METRICISED & SEALED		SEALED:- 1 OCT. 43.	
IN SUPERSESSION OF EXISTING ONE.			
AMENDMENTS.		SIG. DATE.	
SUPPLIER'S No.		O.S. 30936	
17 SHEETS.		SHEET-16	

D.C.(I)-5251-I-		735-88	
NOM. CAT/P. No. AMENDED.			
D.C.(I)-5159-I-		9-9-87	
ALT. MATERIAL ADDED			
D.C.(I)-4265-I-DRG. METRICISED & SEALED		10-3-81	
IN SUPERSESSION OF EXISTING ONE.			
AMENDMENTS.		SIG. DATE.	
CASE, ARTILLERY & MAP BOARD, MK 2.			

TRACED AT C.I. DEHRADUN.
TRACED BY:- V.K. &
CHECKED BY:- J. K.
DATE:- 22.1.81

7-BUCKLE BRASS 25 W.E. PATT.
 37 (IND/GS/463, LATEST)



(a) ALTERNATIVE MATL.:-
 COTTON CANVAS 680 gm OLIVE GREEN, WATER
 PROOF 9: CMB TO SPECN. IS: 1424.

NOTE:-
 ALL STITCHING TO BE 6 TO 8 STITCHES PER 25 mm
 SECURELY FINISHED OFF. CANVAS MUST BE WATERPROOF

1 OFF
 C.I.T./PARTY NO.
 122070.00485 (b)

			CIA (FC) 1968
			DETAIL NO 14
			DRAWN [] TRACED [] CHECKED []
			SCALE: NOT TO SCALE
(b) D.C. (C) 5251-21		23.5.58	MATL.
NOM. OF CHG. PT. No AMENDED			DUCK COTTON 22 OZS. OLIVE GREEN,
(b) D.C. (C) 5251-21		16 9.9.97	WATER PROOF 913 (SPECN NO IND/TC/20)
ALT. MATERIAL ADDED			
D.C. (C) 4255-21 ORG. METRICISED & SEALED		10.1.01	SEALED
IN SUPERSESSION OF EXISTING ONE.			
AMENDMENTS	SIG.	DATE	SUPPLIER'S NO. 0030985
(b) CASE, ARTILLERY & MAP BOARD, MK. 2			17 SHTS. SHEET 17

DC (I) No. - 4548-S, 1067-I, 1259-I, 1133-I, 2254-I, 2311-I, 2469-I, 3104-I, 4265-I, 5159-I, 5251-I.

TRACED AT CII DEHRADUN
 CHECKED BY: [Signature]
 DATE: 27/11/01