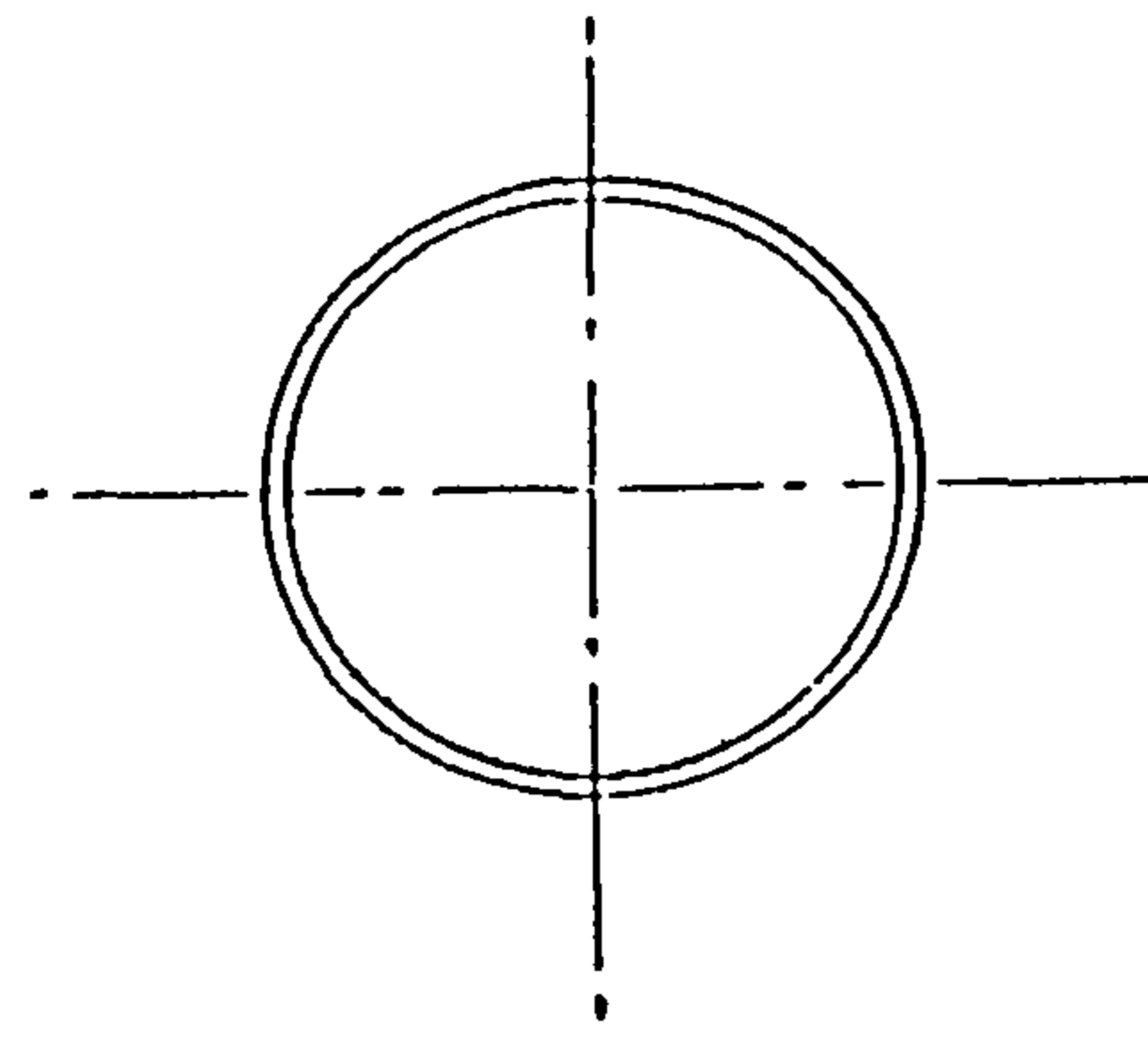
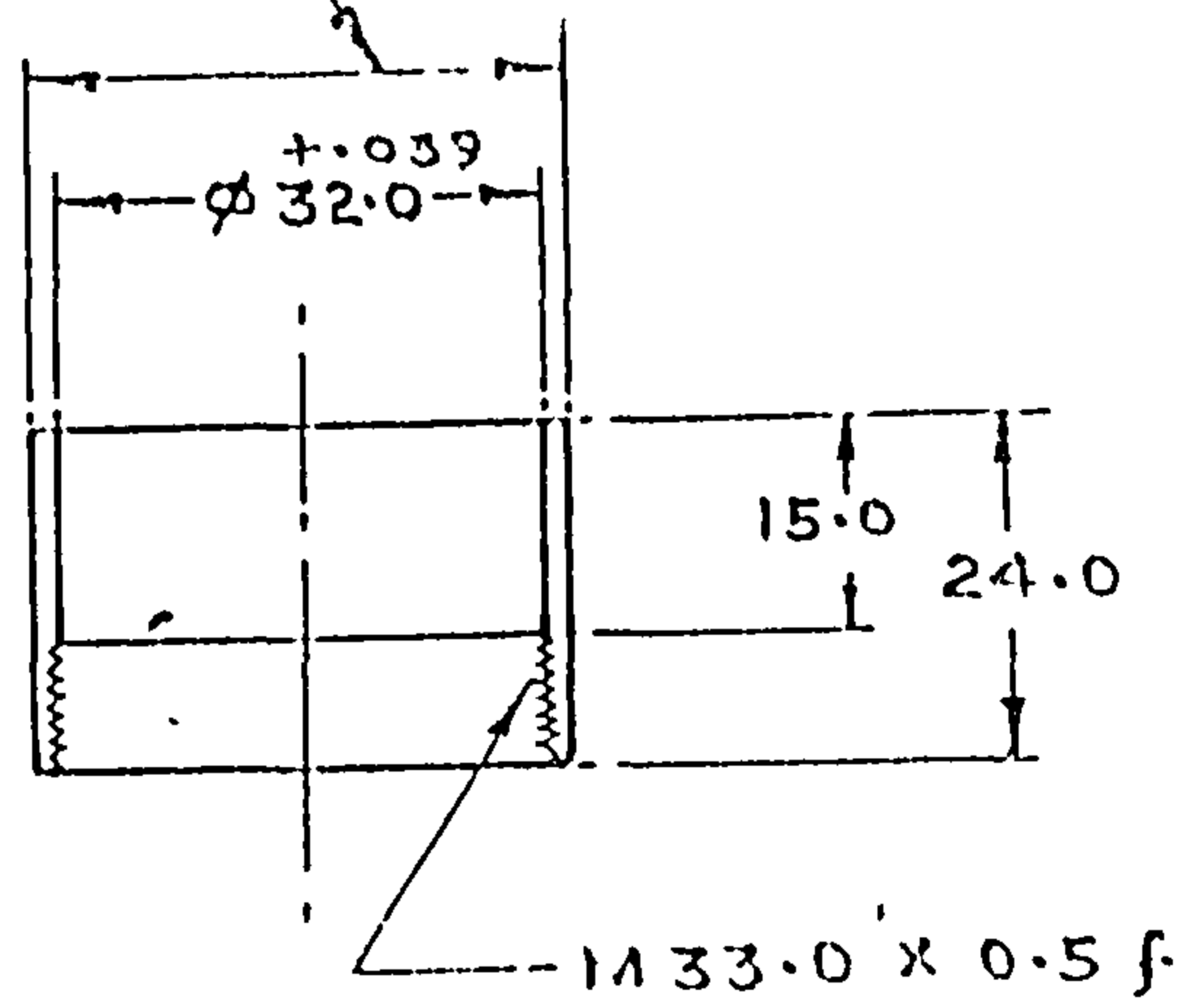


VETTED BY *AKK*  
I/C QM.....

FOR EXPLANATION OF DIMENSIONING ETC., SEE COA(1)GUIDE No.001-1992  
THIRD ANGLE PROJECTION. DIMENSIONS ARE IN MILLIMETRES.



DIA. TO SUIT 34.0 DIA. HOLE  
FOR O.G IN BODY IRDE 335/1  
& TO BE SECURED BY ARALDITE.



MATL:-BRASS, Gde HT-2 COND.M  
OF IS:320-1980

FINISH:-BRONZED BLACK DULL TO IS:1378-1979.

D.C.(1):-0454-I(P), 1939-I, 2929-I, 3511-I, 6105-I.

POLYESTER NEGATIVE PREPARED AT COA(2)D.DUN  
PREPARED BY:- *Allyed*  
CHECKED BY:- *Rajesh* DATE:-

D.C.-6105-I-POLY NEG PREPARED & NEW COPY SEALED IN SUPERSESSION OF EXISTING ONE		<i>AKK</i>	13.4.96	DRAWN	TRACED	APPROVED
(b) D.C.(1):- 3511-I. NOM. AMENDED.		Sd/-	17.12.76	CHECKED		FOR DIRECTOR IRDE DEHRADUN
(a) D.C.(1):- 2323-I. CAT./PT.No. 1240-000388 ADDED		Sd/-	23.7.74		Sd/-	
D.C.(1):- 1939-I. DRG. SEALED.		Sd/-	26.11.69	SCALE:-1:1		DATE:-22.4.68
D.C.(1):- 0454-1(P). DRG. PROV. SEALED.		Sd/-	12.1.69	DRG. No.		
AMENDMENTS		SIG.	DATE	IRDE 335/3		
MATL.:- SEE ABOVE				CAT./PART No. (a)		
FINISH:- SEE ABOVE			1977	1240-000388		
(b) SLEEVE, OBJECT GLASS				SHEETS		SHEET