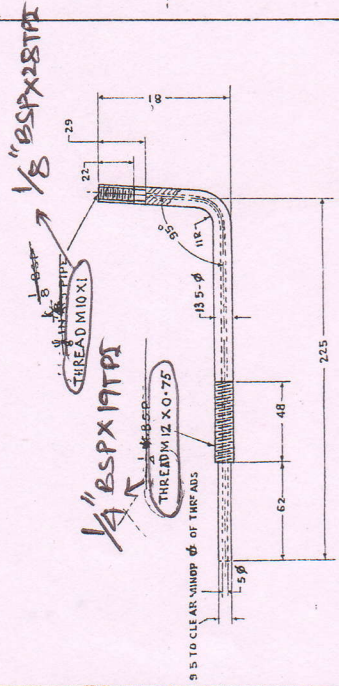
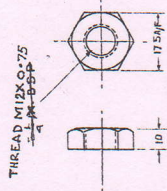


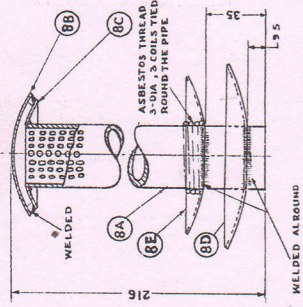
**7** PIPE BURNER HEATER SPACE-  
 MATERIAL - MILD STEEL SHEET  
 1-PER SET  
 SCALE - 1:2



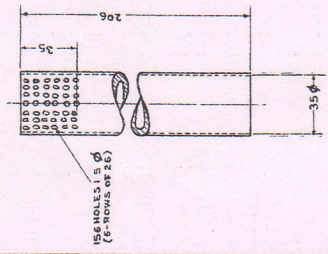
**7A** LOCK NUT  
 MATERIAL - MILD STEEL  
 1-PER BURNER PIPE  
 SCALE - 1:1



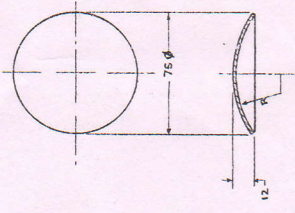
**8** HEATER SPACE OIL BURNING SUB-  
 MATERIAL - MILD STEEL SHEET  
 1-PER SET  
 SCALE - 1:2



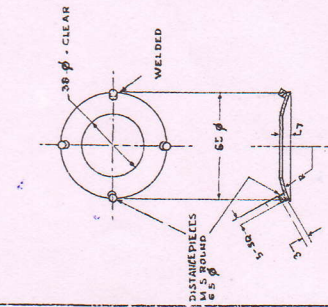
**8A** PIPE CENTRAL BODY  
 MATERIAL - SEAMLESS PIPE  
 1-PER CENTRAL PIPE



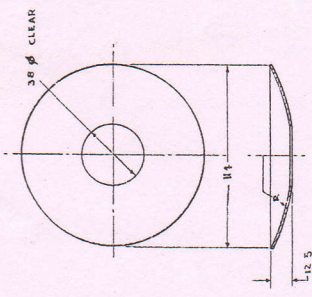
**8B** PIPE CENTRAL CROWN PLATE  
 MATERIAL - MILD STEEL SHEET  
 1-PER CENTRAL PIPE



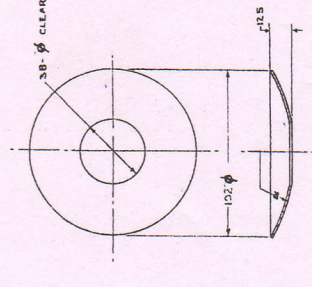
**8C** PIPE CENTRAL CROWN PLATE  
 MATERIAL - MILD STEEL SHEET  
 1-PER CENTRAL PIPE



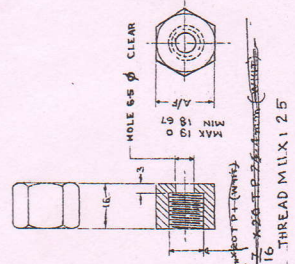
**8D** PIPE CENTRAL DISH, LOWER  
 MATERIAL - MILD STEEL SHEET  
 1-PER CENTRAL PIPE



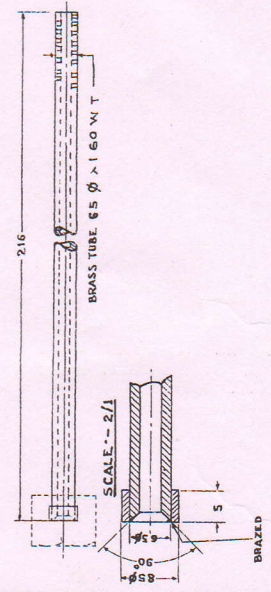
**8E** PIPE CENTRAL DISH, UPPER  
 MATERIAL - MILD STEEL SHEET  
 1-PER CENTRAL PIPE



**9A** UNION NUT  
 MATERIAL - FREE CUTTING BROOKS ROD  
 1-PER ADAPTER



**9B** PIPE  
 MATERIAL - BRASS TUBE G40TC15-407  
 1-PER ADAPTER  
 SCALE - 1/1



DATE	NAME
DRN	
CHKD	
APP'D	
SCALE	1:1 & 1:2

HEATER SPACE OIL BURNING  
 K-674520-000083-STOVE TENT HEATING

C. G. A. (65)  
 KANPUR

STORAGE No  
 56

DIMENSIONS IN MILLIMETRES  
 UNLESS OTHERWISE SPECIFIED  
 PLATE ATTACHED TO SHEET NO. 10/10/16/3/10