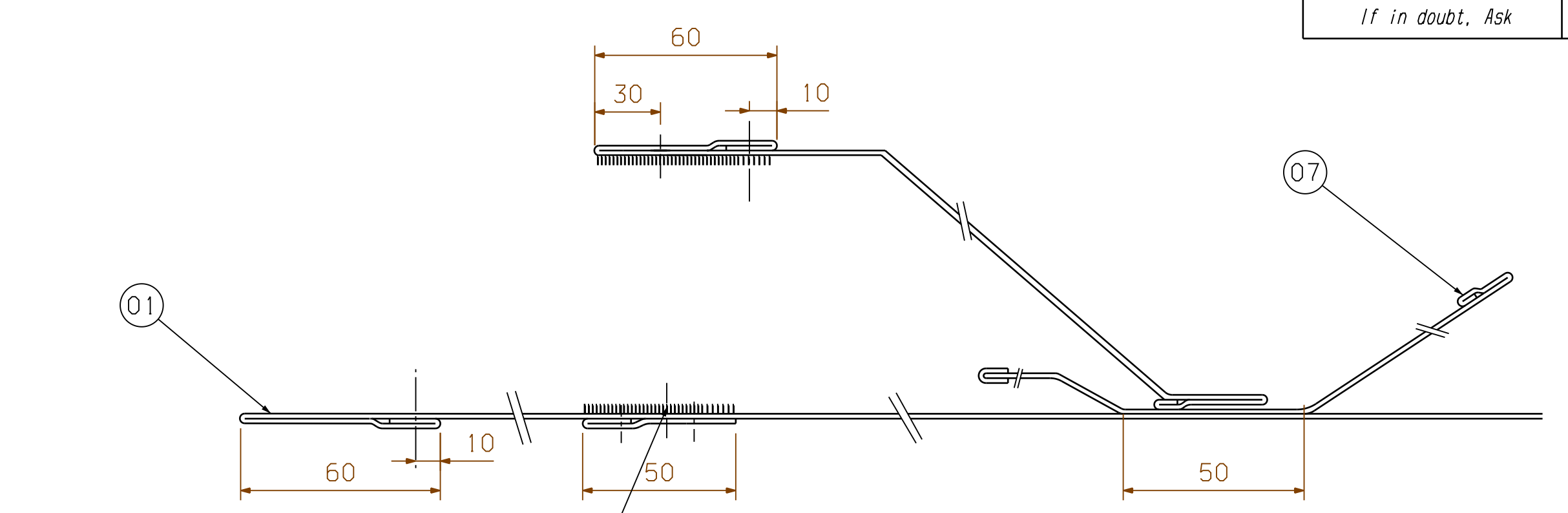
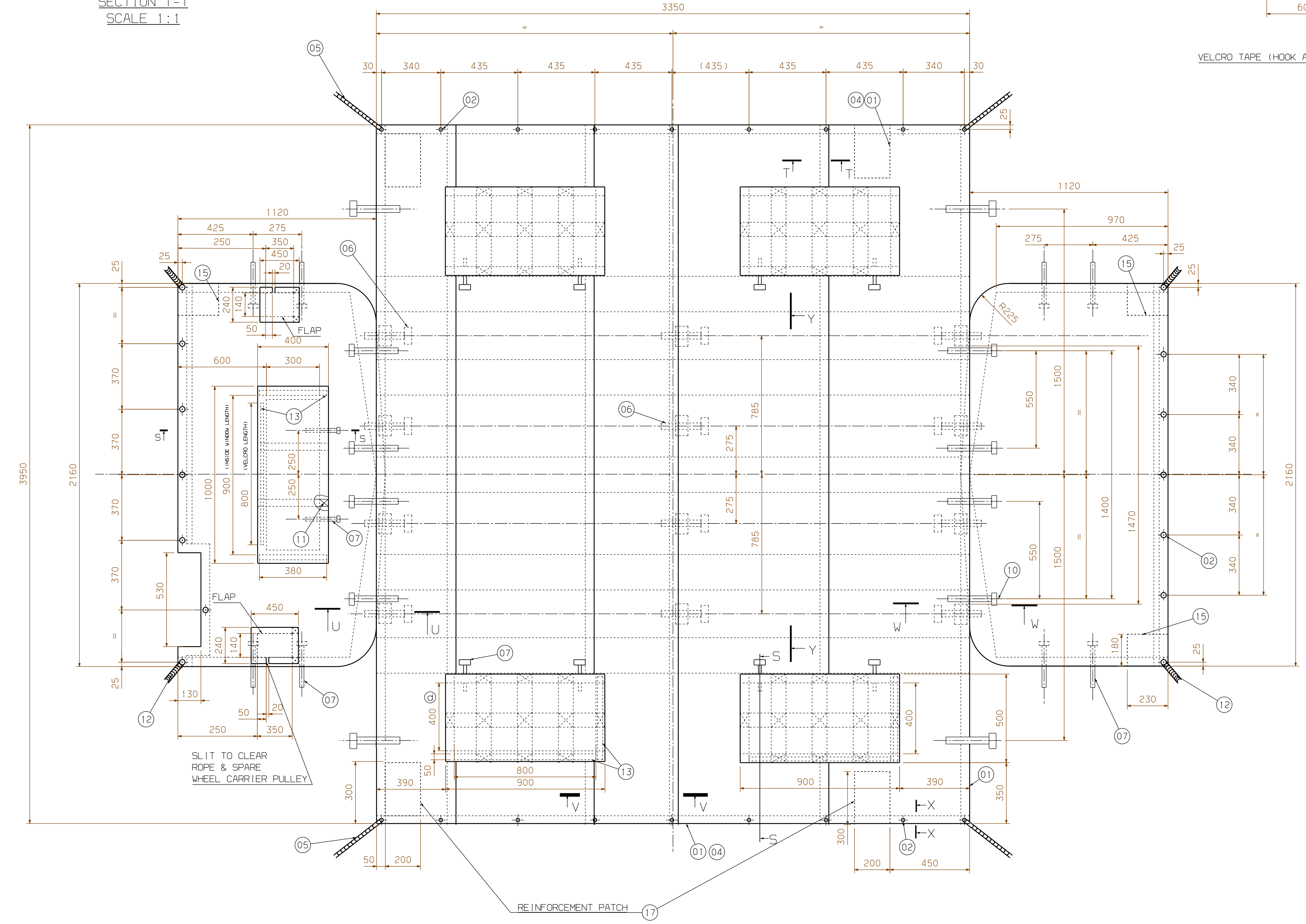


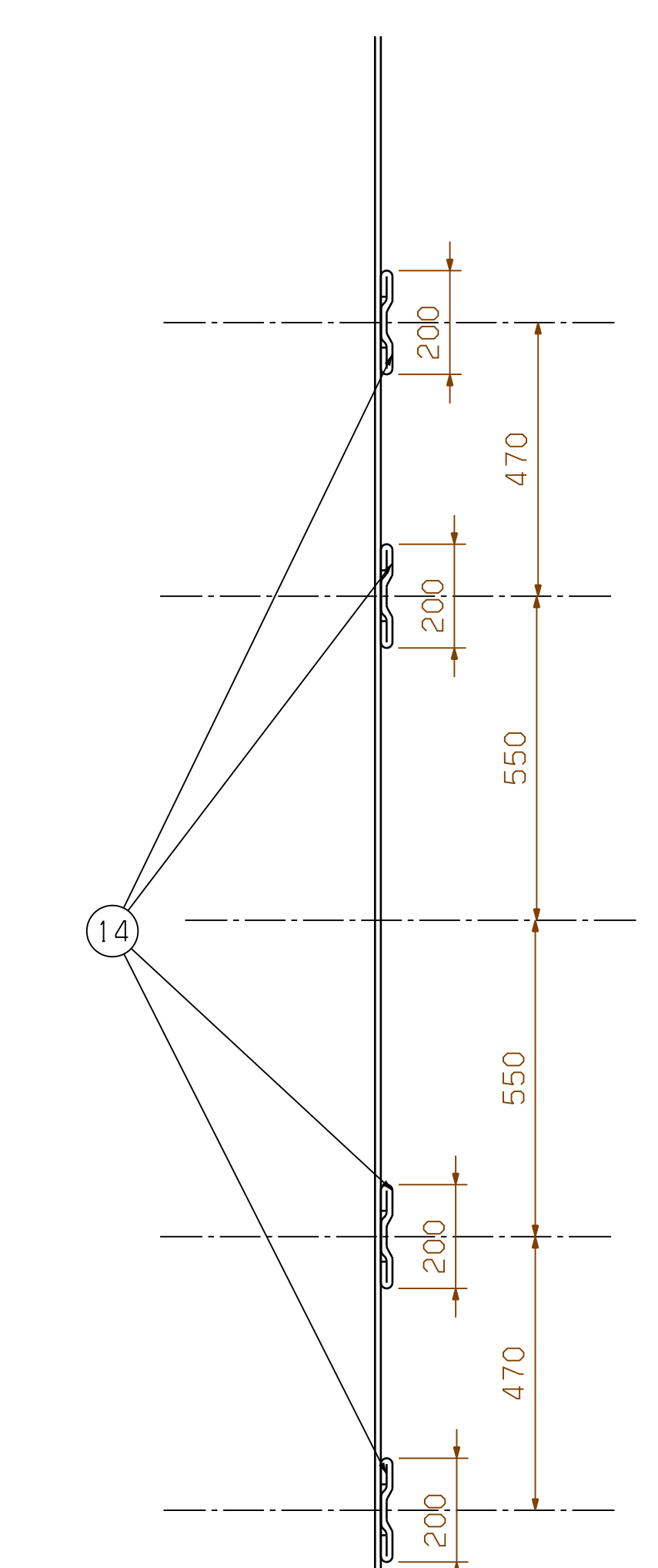
SECTION T-T
SCALE 1:1



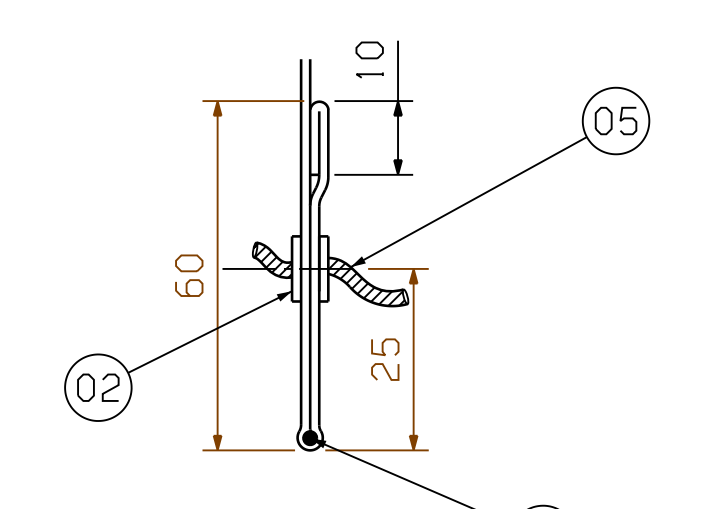
SECTION SS
SCALE 1:2



SCALE 1:10



SECTION YY
SCALE 1:10



SECTION XX
SCALE 1:2

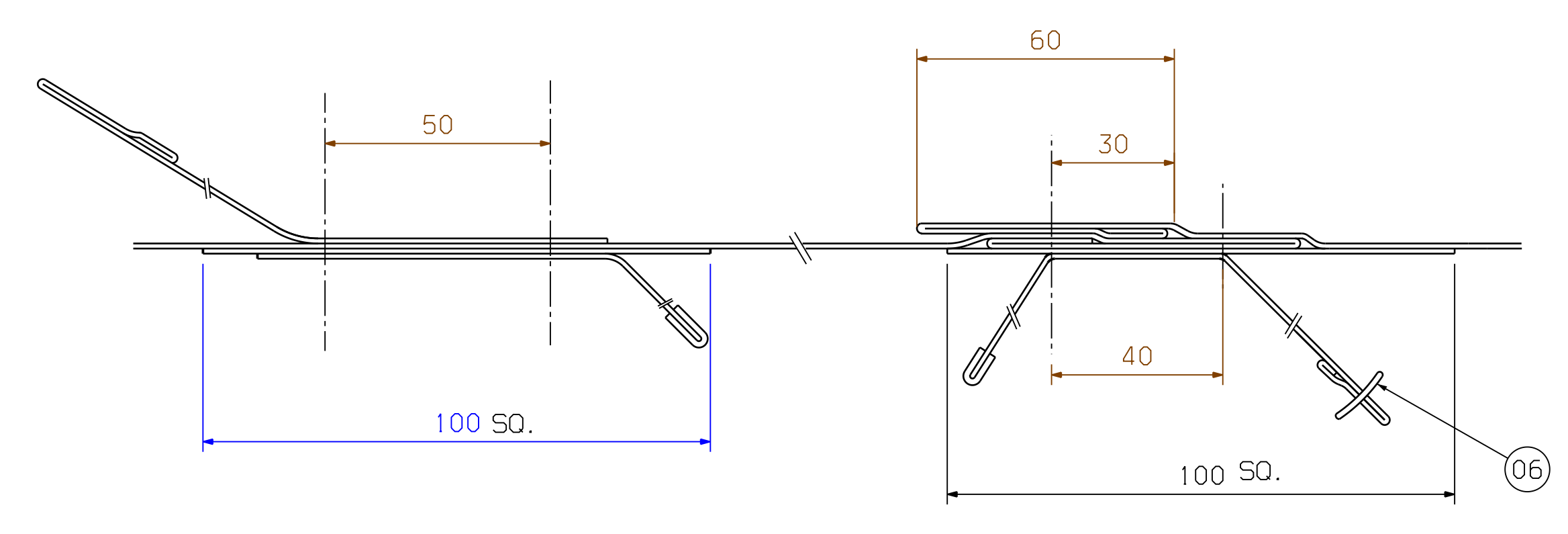
NOTE:

- a. AS PER APPROVED SAMPLE
- b. SHRINKAGE ALLOWANCE 2.5% TO BE TAKEN CARE OF ON ALL DIMNS.
- c. DIMNS. MARKED * THUS ARE VALID FOR RHD
- d. STITCHING 4-6 PER/25mm
- e. STITCHING THREAD : COTTON THREAD AS PER IS1720-78 VARIETY NO:4206
- f. 15mm FOLDING MARGINE FOR ALL FOLDS FOR STITCHING TO BE PROVIDED

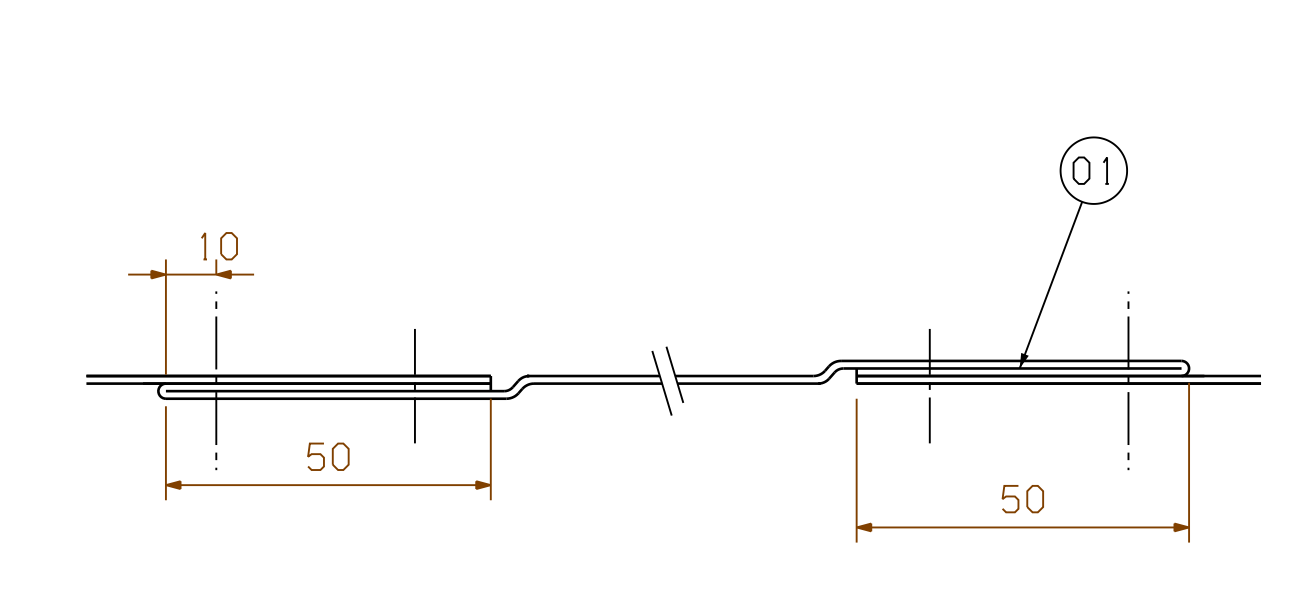
NOTE:

** DIMNS. MARKED THUS VALID FOR LHD

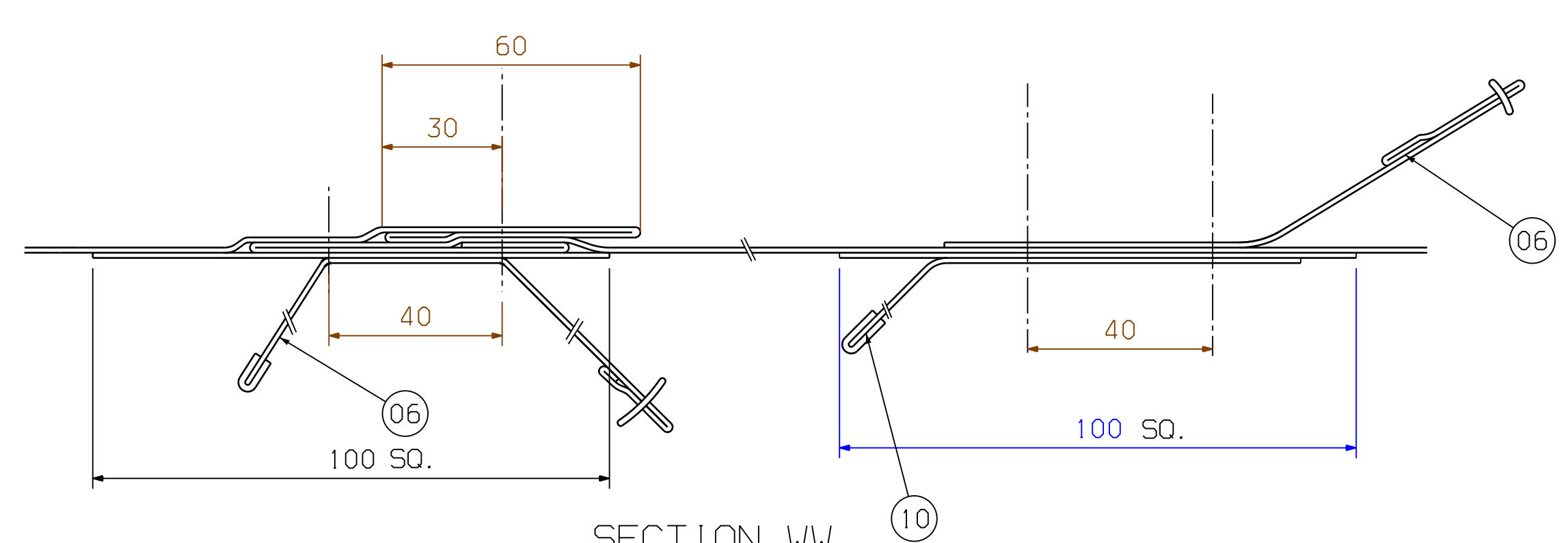
QTY.	ITEM NO.	DESCRIPTION
4	17	REINFORCEMENT PATCH 300*200 FINISHED SPECIAL W.P.O.S IS : 1424
2	16	REINFORCEMENT PIECE 100*30 CANVAS COTTON SPECIAL WATER PROOF O.G. IS 1424
4	15	CORNER PIESE 180*230 CANVAS COTTON SPECIAL WATER PROOF O.G. IS 1424
5	14	REINFORCEMENT PIECE 230mm WIDE CANVAS COTTON SPECIAL WATER PROOF O.G. I. S. 1424
16m	13	VELCRO TAPE 50mm WIDE COLOUR O.G. BLACK IS 8158-94
9m	12	O.G. POLYPROPYLENE 3 STANDARD (ORD.GDE) 8MM DIA. IS 5175-82
11m	11	NEWAR TAPE OG 50 WIDE * 500 OR PP TAPE OG 50mm. WIDE IS 1895-89
8	10	STRAP WEB THICK TO IS:6488-87 OG * 700 LG. WITH BRASS BUCKLE TO CAT NO CN 8315000019, 25mm. TAB END TO CAT NO CN 8315000061 TO SPEC. IND/GS/1541 WITH EYELET WEB EQUIP TYPE 6.6mm TO IS 6021-78
22	07	STRAP WEB THICK 25mm WIDTH TO IS 6488-87 O.G.300 LG. WITH BRASS BUCKLE TO CAT NO. CN. 8315000019, 25mm. TAB END TO CAT NO.L CN8315000061 TO SPEC. IND/GS/1541 WITH EYELET WEB EQUIP TYPE 6.5mm IS 8021-78
12	06	STRAP WEB THICK 25mm. WIDTH TO IS 6488-87 OG *200LG. WITH BRASS BUCKLE TO CAT NO CN 8315000019, 25mm. TAB END TO CAT NO. CN 9315000061 TO SPEC. IND/GS/1541 WITH EYELET WEB EQUIP TYPE 6.6mm. IS 6021-18
22	05	O.G. POLYPROPOLINE 3 STRAND (ORD.) 8mm DIA IS 5175-82
7m	04	O.G. POLYPROPOLINE 3 STRAND (ORD.GDE) 6mm DIA IS 5175-82
30	02	EYELET METRIC BRASS CN/AA/0900, SIZE NO. 28 IS 4084-78
45m	01	CANVAS COTTON SPECIAL WATER PROOF OG VET DYE ONLY (660 g/m ²). 91cm WIDE VARIETY NO. 2 IS 1424. TESTING IS 6803



SECTION UU
SCALE 1:1



SECTION VV
SCALE 1:2



SECTION WW
SCALE 1:1

Material Description, Size, Spec. Std. No.		NEW RELEASE		S. WAREHOUSE	
Classification of characteristic: ● Critical ▲ Key Instruction ● Major ■ None/Minor ● Applies to upper limit ● Applies to lower limit		Date: 14/02/11 9:34 AM 200551		Date: 14/02/11 9:34 AM 200551	
This drawing is the sole property of Tata Motors Limited. It should not be copied or reproduced in any form without the written approval of Tata Motors Limited.		Date: 14/02/11 9:34 AM 200551		Date: 14/02/11 9:34 AM 200551	
TATA MOTORS LIMITED ERIC-JAMSHEDPUR		LPTA 715		2614 7000 01 37	
Assy Canvas Cover R.H.D		2614 7000 01 50		Sheet No. 1 of 1 Sheets	