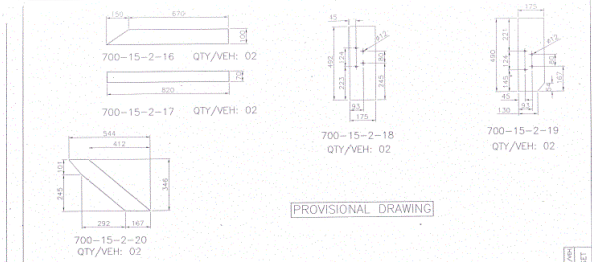


COMPOSITE ARMOUR PLATES FOR MPV 6x6

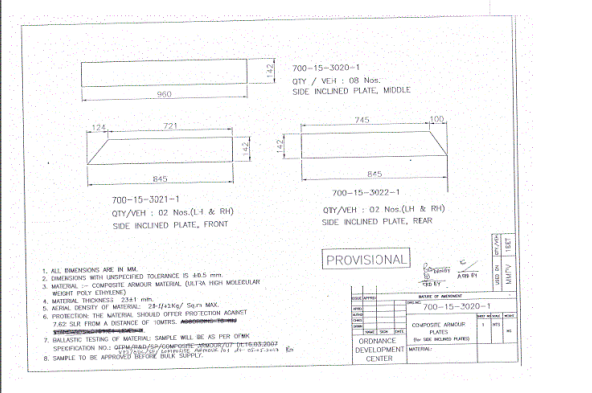
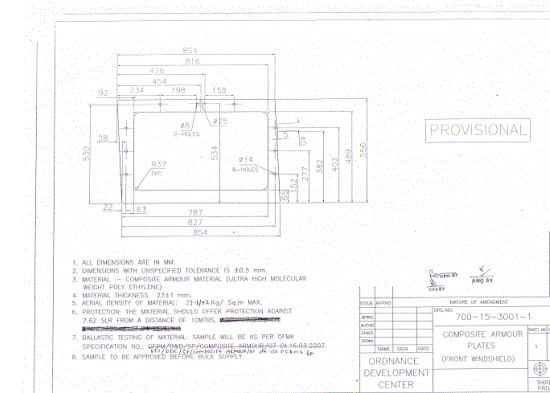
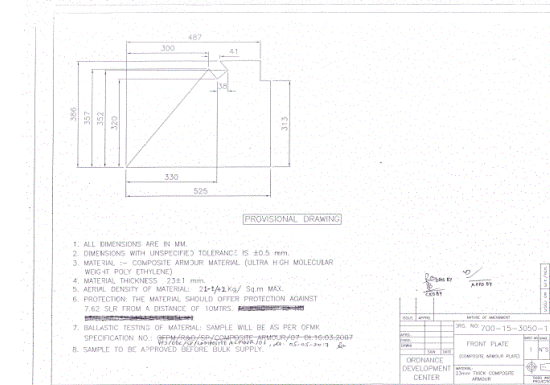
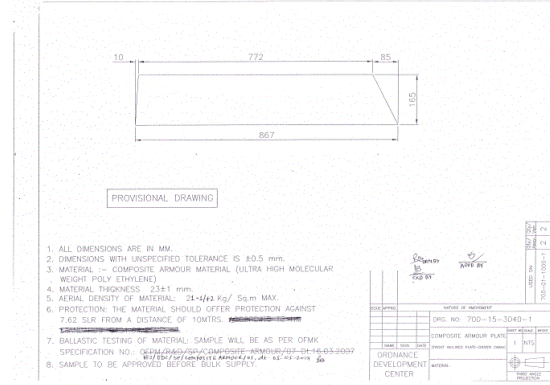
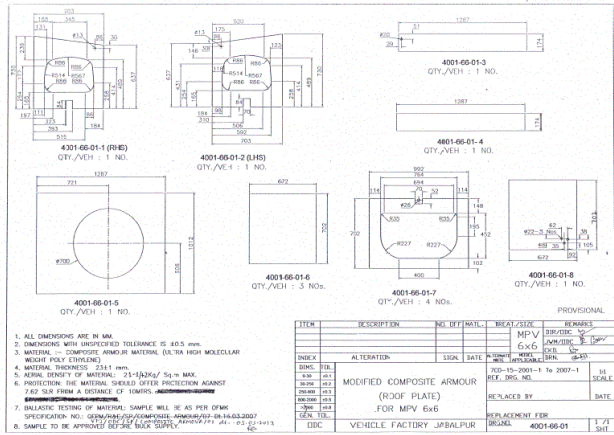
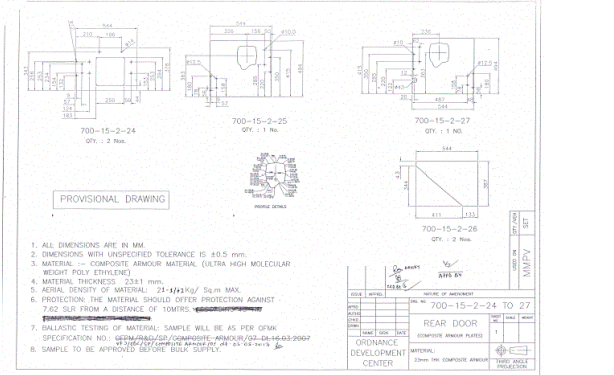
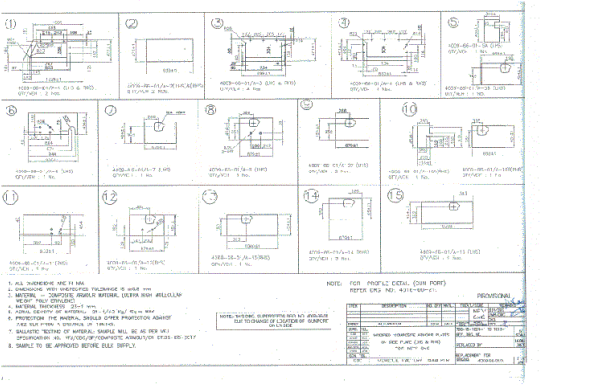
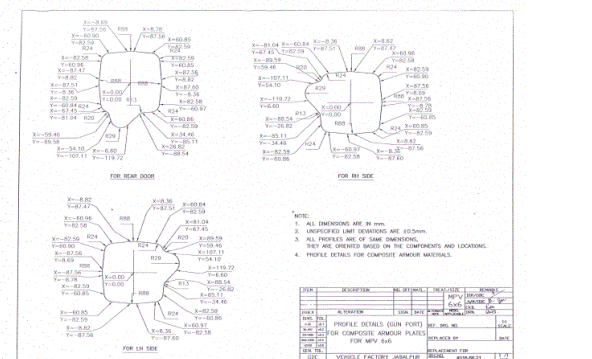
ONE SET IS CONSISTING OF FOLLOWING ITEMS.

ITEM	DESCRIPTION	QTY/VEH.	DRAWING NO.
1	MOD. COMP. ARMOR PLATES ON SIDE PLATE (LHS & RHS)	1 SET	DRG. NO.4009-66-01A
2	MOD. COMP. ARMOR 10K ROOF PLATE	1 SET	DRG. NO.4011-66-01
3	REAR DOOR (COMP. ARMOUR PLATES)	1 SET	DRG. NO.700-15-2-24 TO 27
4	COMP. ARMOR PLATES (R/UNT WINDSHIELD)	2 NO.	DRG. NO.700-15-3001-1
5	FRONT PLATE (COMPOSITE ARMOR PLATES)	2 NO.	DRG. NO.700-15-3050-1
6	REAR PLATES (COMPOSITE ARMOR PLATES)	2 NO.	DRG. NO.700-15-2-16 TO 20
7	COMP. ARMOR PLATE (FT. INC. PLATE DR. CABIN)	2 NO.	DRG. NO.700-15-3040-1
8	COMP. ARM. PLATE (FOR SIDE INC PLATE)	1 SET	DRG. NO.700-15-3020-1
9	PROFILE DETAILS (FOR PORT) FOR COMP. ARMOUR PLATES FOR MPV 6x6	--	DRG. NO.4015-66-21

DIRODC
JWM/ODC



1. ALL DIMENSIONS ARE IN MM.
2. DIMENSIONS WITH UNSPECIFIED TOLERANCE IS ±0.5 mm.
3. MATERIAL - COMPOSITE ARMOUR MATERIAL (ULTRA HIGH MOLECULAR WEIGHT POLY ETHYLENE)
4. MATERIAL THICKNESS: 23.11 mm.
5. AREAL DENSITY OF MATERIAL: 21-1/2 Kg/ Sq.m MAX.
6. PROTECTION: THE MATERIAL SHOULD OFFER PROTECTION AGAINST 7.62 S&R FROM A DISTANCE OF 10MTRS.
7. BALLISTIC TESTING OF MATERIAL SAMPLE WILL BE AS PER OMK SPECIFICATION NO. 027A/04/02/COMPOSITE ARMOUR/02-02-16-03-2007
8. SAMPLE TO BE APPROVED BEFORE BULK SUPPLY.



ITEM	DESCRIPTION	NO. OF SETS	SCALE	DATE	BY	CHKD	DATE	BY	CHKD
1	MODIFIED COMPOSITE ARMOUR (ROOF PLATE) FOR MPV 6x6	1	AS PER OMK	2007-11-15	JAWALPUR	JAWALPUR	2007-11-15	JAWALPUR	JAWALPUR

ITEM	DESCRIPTION	NO. OF SETS	SCALE	DATE	BY	CHKD	DATE	BY	CHKD
1	MODIFIED COMPOSITE ARMOUR (ROOF PLATE) FOR MPV 6x6	1	AS PER OMK	2007-11-15	JAWALPUR	JAWALPUR	2007-11-15	JAWALPUR	JAWALPUR