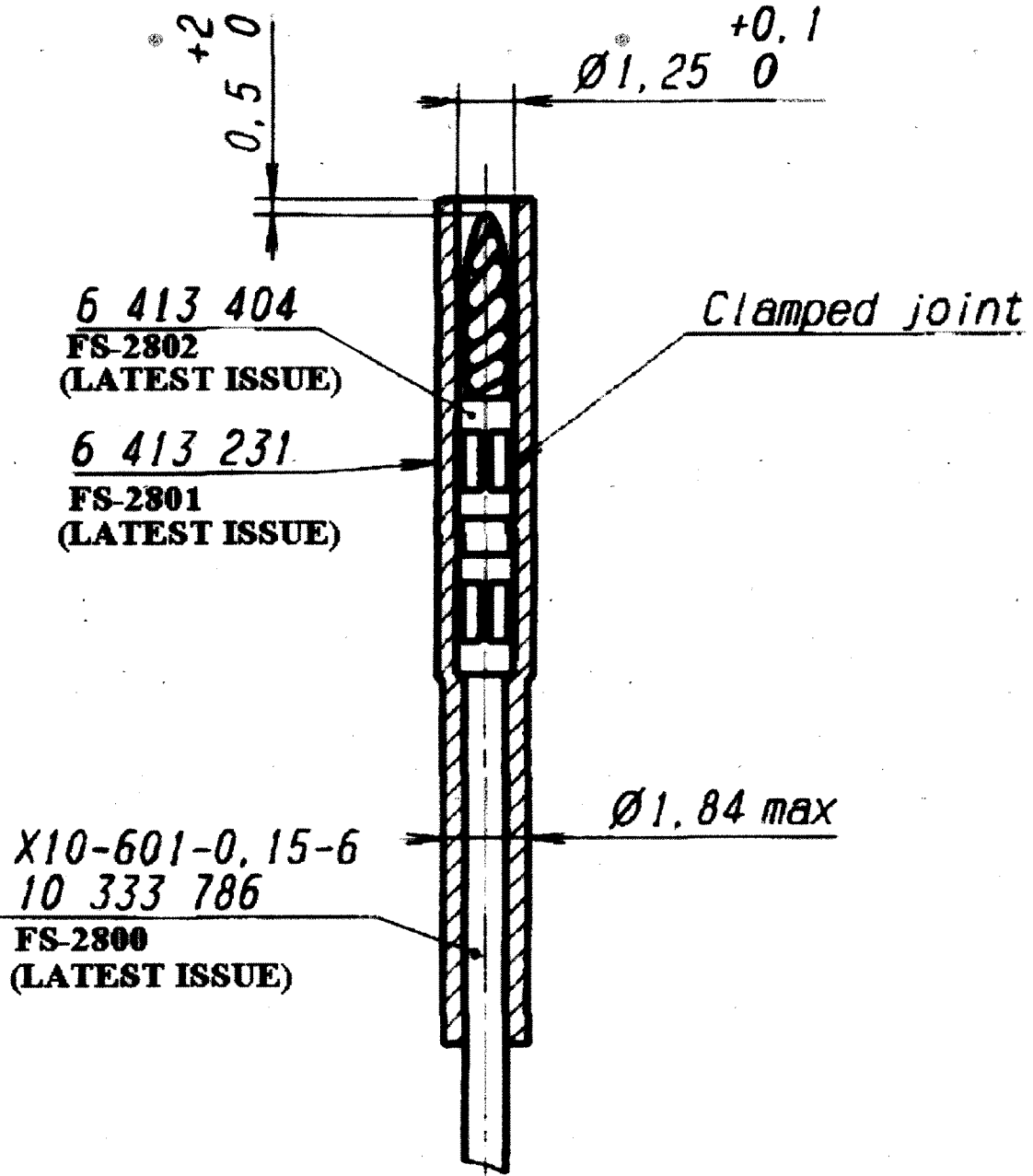


DRG. NO : **FS-2905**

A M E N D M E N T S			
REV.	DATE	DESCRIPTION	SIGN.



SEE SPECN 0 817 418

DIMENSIONS ARE IN mm			MATERIAL : -		<b>आर्म्स फैक्टरी अम्बाझरी</b> <b>ORDNANCE FACTORY, AMBAZHARI</b>
THIRD ANGLE PROJECTION			NOMENCLATURE :		
SCALE : NTS			WIRE NO 1 ASSY		DRG. NO :
2009	NAME	DATE			<b>FS-2905</b>
DRAWN	<i>[Signature]</i>	06/01/2009			SHEET NO : 1
CHECKED	<i>[Signature]</i>				NO. OF SHEETS : 1
JWM/CDD	<i>[Signature]</i>	06/01	OPERATION NO :	COMPT. (DRG NO 5 209 766)	
APPVD.	JGM/FS	<i>[Signature]</i>	07/01/09	STORE : AMMN 84mm MK-III	