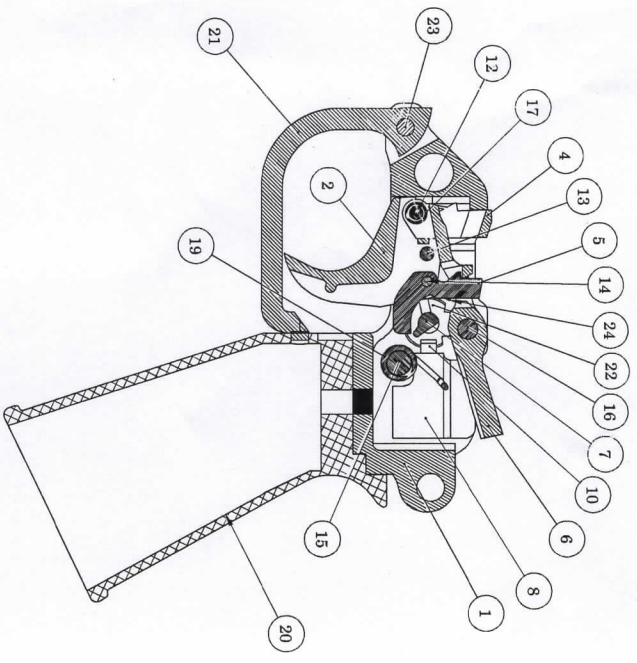
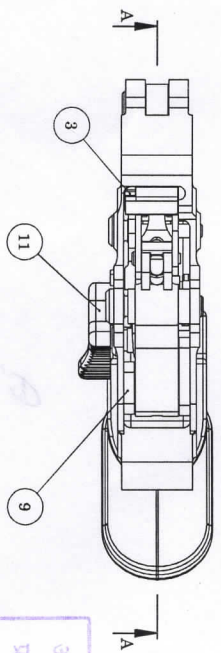


GEN. TOL. FINE / MEDIUM / COARSE DRG. CONVENTIONS CONFIRM TO INDIAN STD. CLASS TO IS: 2102 DIMN. IN mm UNLESS OTHERWISE STATED



SECTION A-A



Note: Except item No. 20

ITEM NO.	PART NUMBER	DESCRIPTION	QTY.
1	BODY HOUSING TRIGGER MECHANISM	1804 01 01 02 01 001 00DA	1
2	TRIGGER	1804 01 01 02 00 001 00DA	1
3	LEVER TRIPPER	1804 01 01 02 00 002 00DA	1
4	SEAR TRIPPER	1804 01 01 02 00 003 00DA	1
5	LINK SEAR	1804 01 01 02 00 004 00DA	1
6	SEAR	1804 01 01 02 00 005 00DA	1
7	STUD CHANGE LEVER	1804 01 01 02 02 001 00DA	1
8	HOUSING PLUNGER	1804 01 01 02 01 002 00DA	1
9	SPACER SEAR	1804 01 01 02 01 003 00DA	1
10	PLUNGER WHEEL LOCK	1804 01 01 02 00 007 00DA	1
11	LEVER CHANGE	1804 01 01 02 01 001 00DA	1
12	PIN SEAR TRIPPER	1804 01 01 02 00 010 00DA	1
13	PIN TRIGGER	1804 01 01 02 00 011 00DA	1
14	PIN DISCONNECTOR	1804 01 01 02 00 012 00DA	1
15	PIN SPRING SEAR	1804 01 01 02 00 008 00DA	1
16	PIN SEAR	1804 01 01 02 00 009 00DA	1
17	SPRING SEAR TRIPPER	5360-000531	1
18	SPRING PLUNGER WHEEL LOCK	1804 01 01 02 00 016 00DA	1
19	SPRING SEAR	1804 01 01 02 00 015 00DA	1
20	GRIP PISTOL	1804 01 01 02 00 017 00DA	1
21	GUARD TRIGGER	1804 01 01 02 00 018 00DA	1
22	WHEEL LOCK	1804 01 01 02 01 001 00DA	1
23	PIN TRIGGER GUARD	1804 01 01 02 01 001 00DA	1
24	SPRING LINK SEAR	1804 01 01 02 01 001 00DA	1

Certified as correct copy
 of drg. on.....
 06/10/2023
 Jt. Works Manager
 STANDARD CELL

St. No.	DATE	AUTHORITY	BRIEF RECORD	ZONE	CD	GO
DRN No.	DATE	CHECKED	MATERIAL:-			
APPD. DATE	FOR DIRECTOR	SEALED DATE	PROTECTIVE FINISH:			
SCALE:-	EST. MASS	TITLE:-	PISTOL GRIP AND TRIGGER MECHANISM ASSEMBLY			
DESIGN AUTHORITY ARDE PUNE 411021	IC	SS	S	AA	A	C
DRG.No. 1804	IC	SS	S	AA	A	C
PART No.	DS CAT. No.	AHSP				