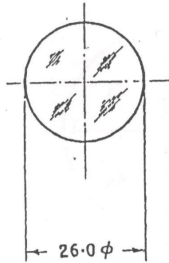
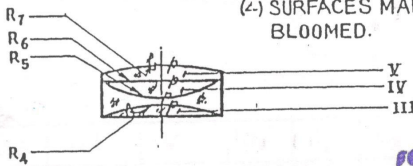


FOR EXPLANATION OF DIMENSIONING ETC, SEE CQA(I) GUIDE No. 002-1992.  
THIRD ANGLE PROJECTION DIMENSIONS ARE IN mm



NOTE:-  
(1) LENS III, IV & V TO BE CEMENTED TOGETHER.  
(2) SURFACES MARKED 'p' TO BE POLISHED.  
(3) EDGES TO BE GROUND AND BLACKENED.  
(4) SURFACES MARKED 'b' TO BE BLOOMED.



LENS	GLASS	Nd.	V	R <sub>4</sub>	R <sub>5</sub>	R <sub>6</sub>	R <sub>7</sub>	CENTRE THICKNESS	CLEAR APERTURE	EFL
III	DBC	1.6103	57.3	40.18 CAVE	26.44 CAVE	26.44 CAVE		1.67	24.0	
IV	GROWN	1.5169	60.6		26.44 VEX.	195.07 CAVE		3.56	24.0	-132.4
V	DF	1.6168	36.6			195.07 VEX	63.50 VEX	3.56	24.0	

CHECKED FOR QM

D.C.(I).0630-I(P),3113-I,3411-I,4137-I,5703-I,5751-I,5876-I.

REDUCED DRG. PREPARED AT CCA(I) DEHRA DUN  
PREPARED BY : Sanjay Arora  
CHECKED BY : [Signature]  
DATE: 15.7.94

DRN	Sd/-	APPROVED
TCD	Sd/-	FOR DIRECTOR
CHD	Sd/-	IRDE DEHRADUN
CHD	Sd/-	DATE: 30.6.72
USED		
ON		
BASED ON		
CAI/PI No.		1240-000736
DRG No		IRDE-1035/7
SCALE		SH OF

DCI-5876-I. DRG. REDUCED & SEALED IN SUPERSESSION OF EXISTING ONE.

SYMBOL AMENDMENTS CHD SIG DATE

MATL & SPEC AS STATED

FINISH & SPEC AS STATED

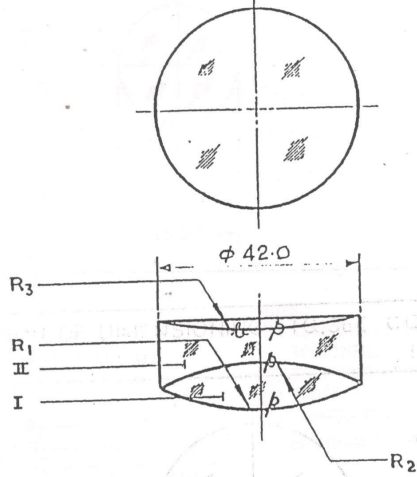
TITLE:- LENS, OPTICAL INSTRUMENT, III, IV & V

FOR EXPLANATION OF DIMENSIONING ETC, SEE CQA(I)GUIDE No.002-1992  
THIRD ANGLE PROJECTION DIMENSIONS ARE IN mm

CHECKED FOR

D.C.(I):0630-I(P)-3113-I,3411-I,4137-I,5703-I,5876-I.

REDUCED DRG. PREPARED AT CQA(I) DEHRA DUN  
PREPARED BY : *Sushil Khandelwal*  
CHECKED BY : *Sushil Khandelwal*  
DATE: 15.7.94



LENS	GLASS	Nd.	V	R <sub>1</sub>	R <sub>2</sub>	R <sub>3</sub>	CENTRE THICKNESS	CLEAR APERTURE	EFL
I	DBC	1-6103	57.3	47.62 VEX.	47.62 VEX.		10.2	40.0	107.6
II	DF	1-6168	36.6		47.62 CAVE	156.0 CAVE	7.74	40.0	

NOTE :-

1. LENS I & II TO BE CEMENTED TO-GETHER.
2. SURFACES MARKED 'p' TO BE POLISHED.
3. EDGES TO BE GROUND & BLACKENED.
4. SURFACES MARKED 'b' TO BE BLOOMED.

FOR TRADE ONLY  
Date of Issue: 15.7.94

					DRN	sd/-	APPROVED FOR DIRECTOR IRDE DEHRADUN DATE: 30.6.72
					TCD	sd/-	
					CHD	sd/-	
					CHD	sd/-	
D.C. - 5876-I. DRG. REDUCED & SEALED IN SUPERSESSION OF EXISTING ONE.				<i>Sushil Khandelwal</i>	4.8.94	USED	
SYMB	AMENDMENTS			CHD	SIG	DATE	
MATL & SPEC	AS STATED						
FINISH & SPEC	AS STATED						
TITLE:-							
LENS, OPTICAL INSTRUMENT, I & II							
					DRG No.	1240-000735	
					SCALE	IRDE-1035/12	
						SH	OF