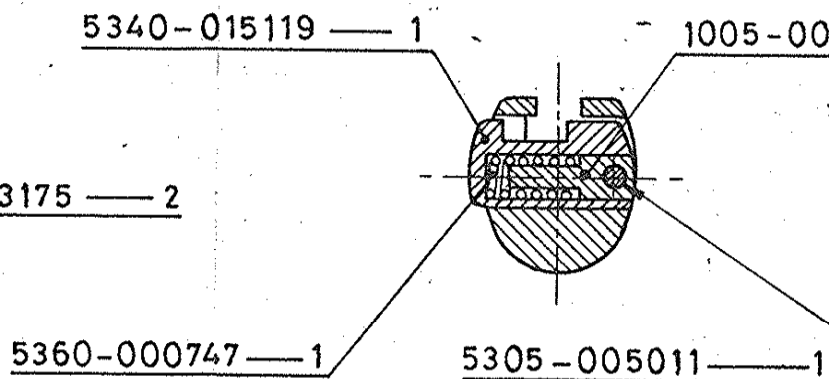
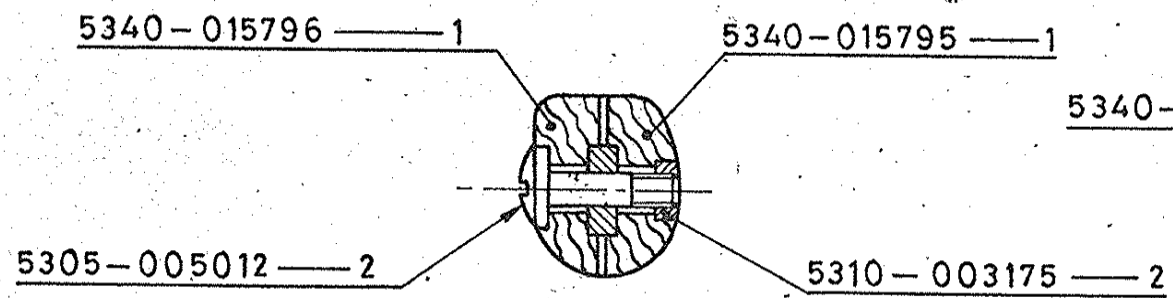
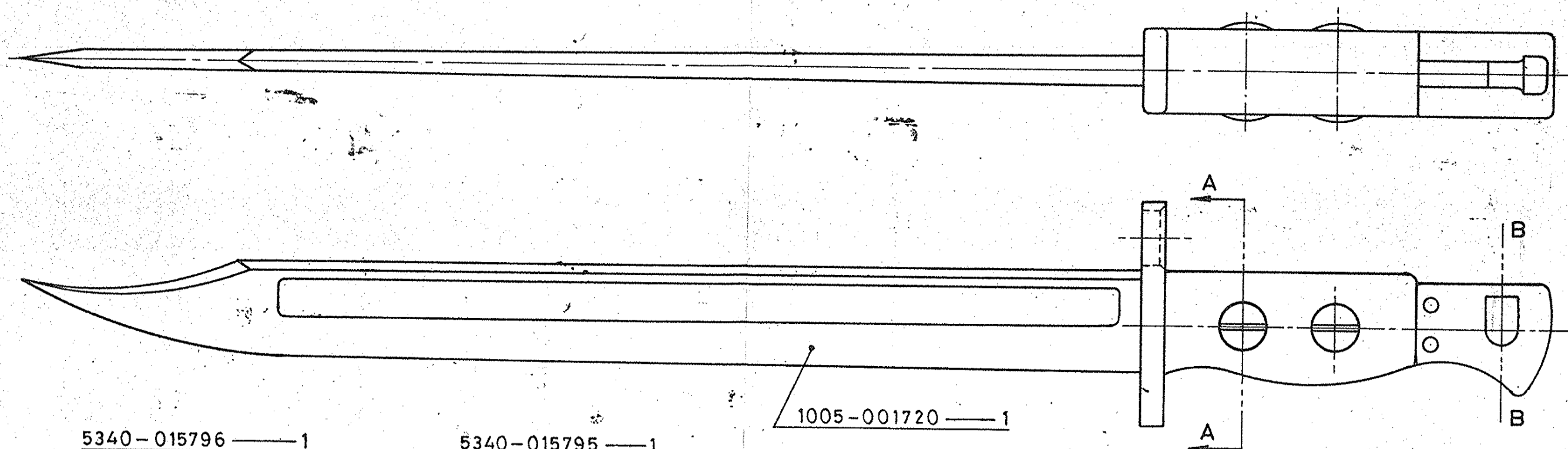


D.S.CAT NO. 1005-001719

FOR EXPLANATION SEE D.D.NOTE SHEET NO. 3  
DIMNS. ARE IN mm.



FOR SCABBARD SEE 1095-000207

ALL COPY OF THE FORM  
SHD BE/RE-TRACED!  
AND TAKE RECORD  
4/8/04

ICR-74A METRIC.

25-4-2002		25340-SA	PROFORMA CHANGED, NEGATIVE RE-TRACED AND DRAWING RE-SEALED.	DATE AUTHY. BRIEF RECORD.		ZONE I/C;D.O.	G.O.	DRN. CHD. TRD. COMP. AHSP, CQA(SA), ICHAPUR
25-4-2002		25340-SA	PREVIOUS D.C.NOS. 14799-SA, 15730-SA, 16124-SA, 20504-SA, 23374-SA AND 24619-SA.	SEALD:- D.C.14799 - SA, DT. 22.9.76.		SIGN.		SCALE:- 1:1 EST. MASS:- APPROVED. DT. 26.6.67. ASSY.
DATE		AUTHY.	BRIEF RECORD.	ZONE	I/C;D.O.	G.O.	H.T./HARDNESS:-	(NEG. RE-TRACED)
NOMENCLATURE:-		BAYONET, 2A.			SIGN.		PROTECTIVE FINISH:-	ARDE 92874
								PART NO.
								DRG. NO.
								D.S.CAT. NO. 1005-001719