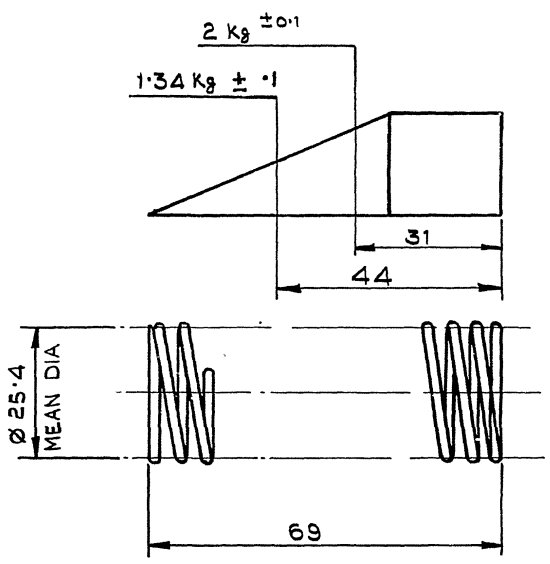


DS CAT No.
5360-040400

DRG CONVENTIONS CONFORM TO IS : 696									
DIMENSIONS ARE IN mm UNLESS OTHERWISE STATED									
TOLERANCES FOR UNTOLERANCED LINEAR DIMENSIONS									
ABOVE	-	6	30	120	315	1000	2000	4000	
UP TO	6	30	120	315	1000	2000	4000	-	
TOLS	± 0.1	± 0.2	± 0.3	± 0.5	± 0.8	± 1.2	± 2	± 3	



NOTE :- COMPRESSION TEST AS PER BS : 1726 Pt 1 100% FOR FIRST 20 SPRINGS & 10% FOR REMAINING PRODUCTION OR AS ORDERED BY AHSP. SPRINGS TO CONFORM TO BS : 1726 Pt 1 CATEGORY III CLASS 'B'

No OF EFFECTIVE COILS.....12
 WIRE DIA..... 1.8 mm
 WOUNDRH OR LH

ONE COIL AT EACH END TO BE CLOSED & GROUND SQUARE WITH THE AXIS LEAVING 3/4 COIL NON EFFECTIVE AT EACH END.

DRAWN:-		CHD:-		ASSY DRG:- 1015 - 003179		CQA(W), JABALPUR	
24-5-08 19127-W		MATERIAL, DS CAT No. & NOMEN. AMENDED.		SCANNED:- RC			
17-3-07		SCANNED & PRINTED WITHOUT CHANGE		C/D/MAN <i>Satish Kumar</i>		AHSP	
DATE		AUTHORITY		ZONE		AMENDMENTS	
PREV DC Nos:- 17827-W, 18825-W & 18844-W Dt. 03-01-04		MATERIAL:- IS : 4454 Pt. I, 2001, Gde "SH" or "DH"		PROTECTIVE FINISH:- PHOSPHATED TO SPEC JSS : 0465-01 : 1988. CLASS II. FINISH - (J)		SCALE:- 1 : 1	
DRG SEALED:- 18844-W Dt. 03-01-04		DO CQA(W)		SPRING, HELICAL, COMPRESSION		DESIGN No. ILG - 126/1	
				स्प्रिंग, हेलिकल, कम्प्रेशन		PART No. IFL-8074	
						ESTD mass:-	
						DS CAT No. 5360-040400	