

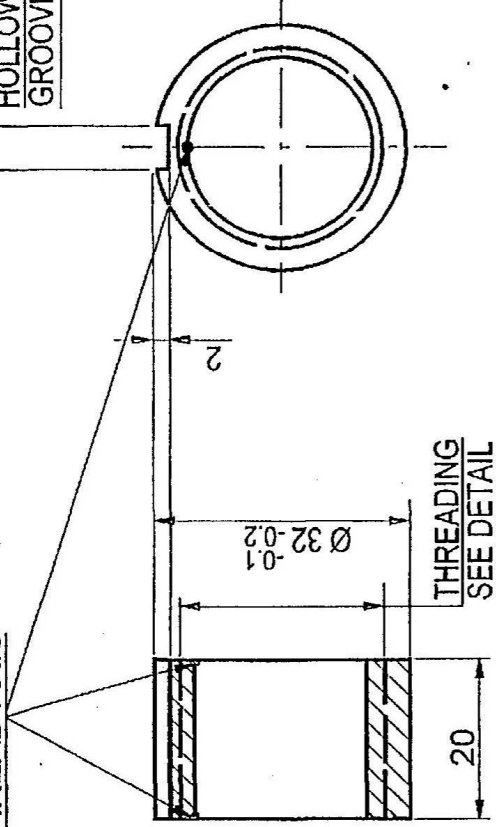
DS CAT NO.

5310-001838

DRG CONVENTIONS CONFORMS SP: 46-1988, DIMENSIONS ARE IN mm, TOLERANCE FOR UNTOLERANCED LINEAR DIMENSIONS REFER IS:2102 (Med Cl.)

DEPARTURE OF THE HOLLOW OF THREAD AXIS

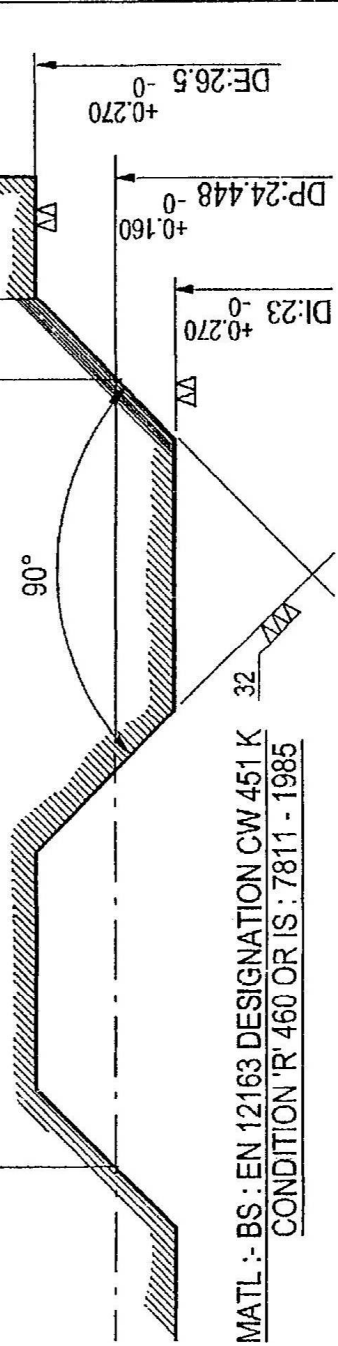
THE DEPARTURE AXIS OF THE HOLLOW OF THREAD AND THE GROOVES SHALL BE COINCIDENT



THREADING SEE DETAIL

DETAIL OF THE THREADING SCALE 10 / 1

PITCH THREAD 10 mm



MATL :- BS : EN 12163 DESIGNATION CW 451 K
CONDITION 'R' 460 OR IS : 7811 - 1985

MATTER - BRONZE UE 9P

STATE OF SURFACES VV 63

MECHANIC CHARACT - R:40-50 kg / mm²

GENERAL MARGINS:- ±0.1 TILL 10 mm-J 13 AFTER

CQA(W), JABALPUR			
DRN	CHD	DRN	CHD
SCANNED	-PKA	CHD	AHSP
DATE	AUTH	ZONE	AMENDMENTS
21-2-17	19579-W	D/1-3	ZONE D/1-3 ADDED.
2.6.16			SCANNED & PRINTED WITHOUT CHANGE
PREV DC Nos	9536-W, 10495-W, 11443-W, 14032-W, 15055-W, 15983-W, 18130-W, 18812-W, 18940-W & 19450-W DT 26-9-15		
DRG SEALED	- 11443-W DT 22-02-67		
SCALE	-10:1, 1:1	ESTD mass	50 gr
MATERIAL	DO CQA(W)		
PROT FINISH	DATE -		
DESIGN No			
PART No			
AMG No. 72805			
DS CAT No			
5310-001838			

NUT PLAIN ROUND

एन बोल राउण्ड

