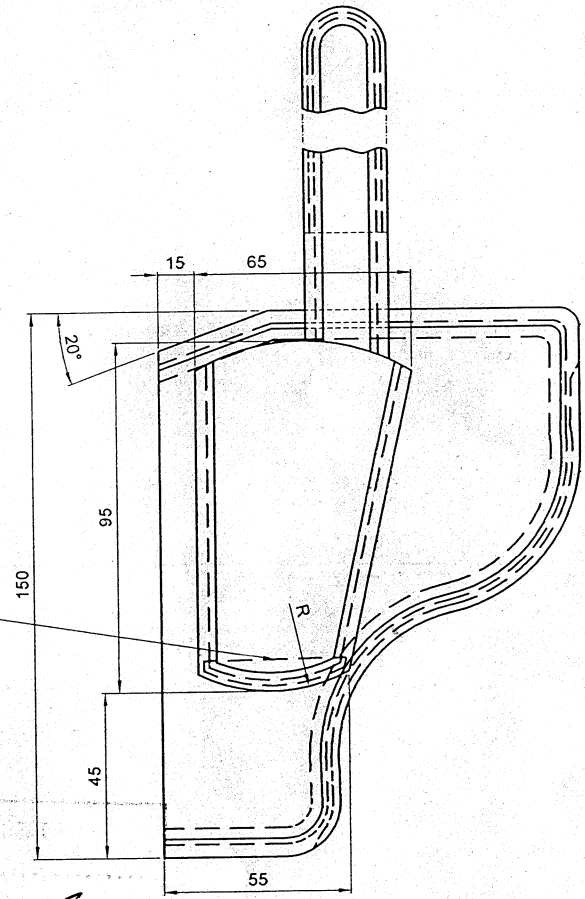
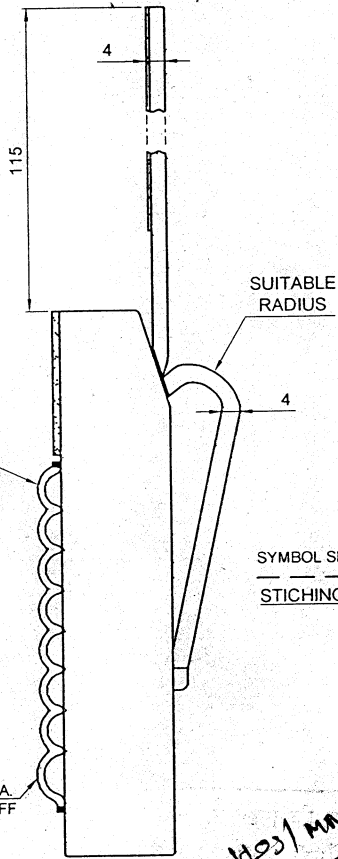
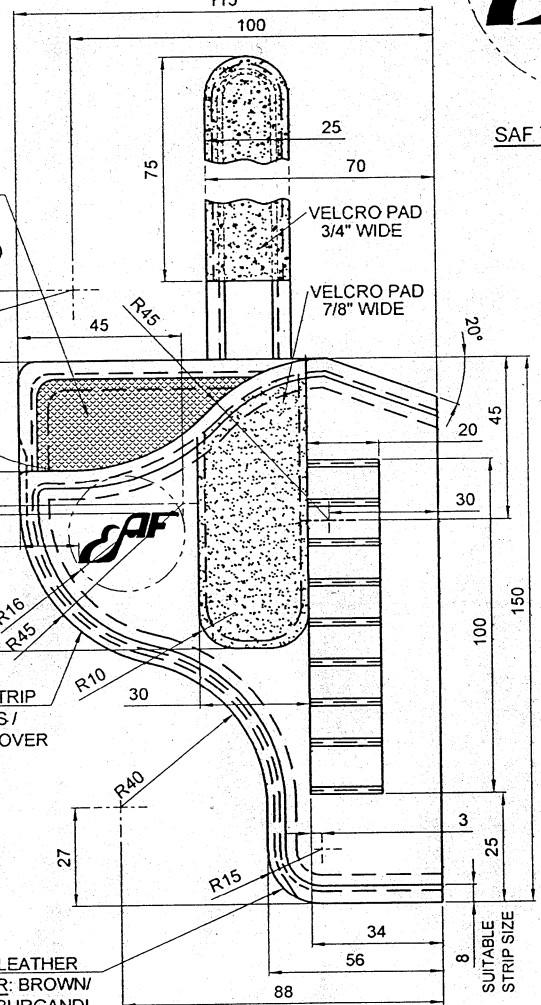
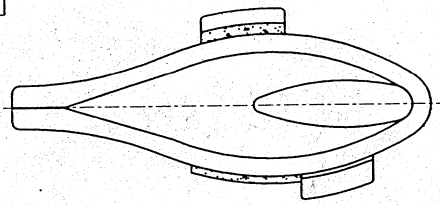
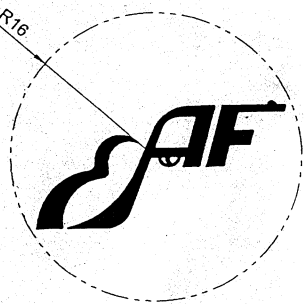


- NOTE :-**
- (i) REVOLVER CLIP COVER OF LEATHER BUFF BURNISH (HARNESS LEATHER) DRUM DYED AS PER IS: 580 COLOUR BLACK/ BROWN/ BURGANDI.
 - (ii) SAF TRADEMARK LOGO TO BE RIVETED/STICHED/ STAMPED. (LOGO MATERIAL MAY BE BRASS/SUITABLE PERMANENT INK STAMPED)
 - (iii) BEFORE BULK PRODUCTION, CLEARANCE WILL BE GIVEN, 5 NOS. SAMPLE OF CLIP COVER WILL BE REQUIRED TO BE SUBMITTED ALONG WITH THE DIMENSIONAL & MATERIAL TEST REPORT. AFTER APPROVAL OF SAF, BULK SUPPLY TO BE STARTED.



HOS/MAW
01/06/22

ALL DIMENSIONS ARE IN mm. (UNLESS OTHERWISE STATED.)

REVOLVER.32 (7.65mm)		DRAWN	TRACED	CHECKED
CLIP COVER FOR REVOLVERS		A.S.RANA		
		DATE	02/02/2021	
		APPROVED	<i>[Signature]</i>	
		DRG. NO.	SK-6122 R	
SCALE		SMALL ARMS FACTORY		
1:1 (N.T.S.)		KANPUR		
		SHEET 1 OF 1		

ORIGINAL