

40

616910-3

U.4.F.23794-A

C 24M6-98X0.75 K43
EXT $\phi = 6.58 - 0.15$
AVERAGE $\phi = 5.493 - 0.16$
INT $\phi = 6.158$

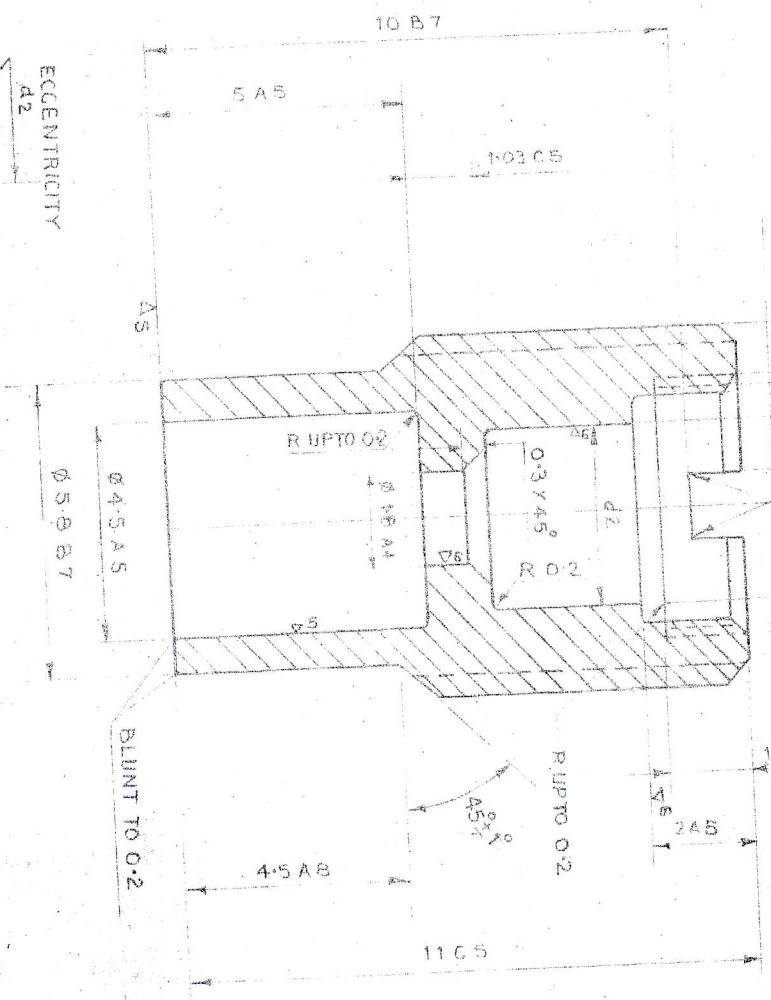
M5 X 0.5 K43

d (EFFECTIVE DIA)

$\phi 3.5 A 4$

1-2 A7
TOOL

1.5 MINIMUM USEFUL THREAD

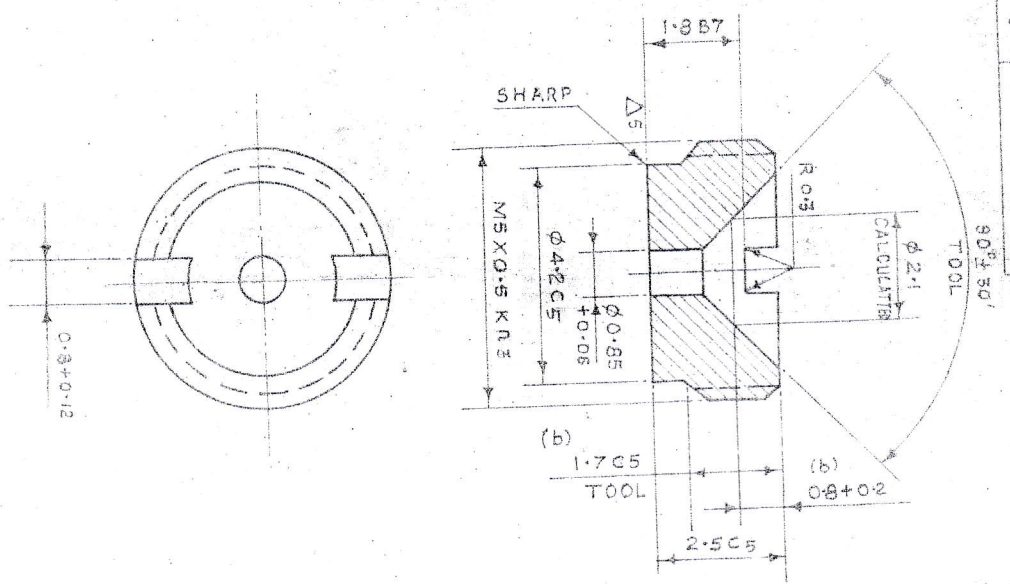


- 4 IF NOT STATED.
1. CONCENTRICITY OF DIAMETERS TO BE ACHIEVED IN ACCORDANCE WITH THE REQUIREMENTS OF THE PRESSING TOOLS FOR PRESSING THE DELAY MECHANISM.
 2. TRACES OF THREADS ARE PERMISSIBLE ON CYLINDER $\phi 5.8 B 7$.
 3. AT THE BOTTOM OF THE BORE MEANT FOR THREAD M5 X 0.5 CLASS 3, TRACES OF CHASER ARE PERMISSIBLE PROVIDED BURRS ARE NOT THERE.
 4. PROTECTIVE TREATMENT: IN INDIA THE COMPONENT TO BE ELECTROPLATED WITH TIN TO SPECN. DTD 924 OR NICKEL TO SPECN. DTD. 905.

MATERIAL: IN INDIA BRASS TO BS 2874 - CE 122 - CONDITION 14
 EDITION 1986 (LATEST ISSUE)
 BS EN 12166 - 1998 MATERIAL SYMBOL CuZn40Pb2
 NUMBER CW 617N CONDITION R 420

DATE	AUTHORITY	REVISION	DELAY HOLDER	53-B-0259	40
6-7-11	DC37284-A	MATL. AMENDED			
5-5-98	DC34858-A	MATL. SPECN. SUPERSEDED.			
11-2-88	34-325-A	D.S. CAT. NE ADDED.			
20-7-82		TRACED WITHOUT CHANGE. PREVIOUS D.C.D. Nos. 28794-A, 29227-A, 29305-A AND 31022			
			BRASS (C. 54-1)		
			GOST 1019-47		
					D.S. CAT. No. 1390-000077

D.O. N° 28791-A



- 1 TRACES OF THREADS ARE PERMISSIBLE ON $\phi 4.2$ C.S.
- 2 HOLE OF $\phi 0.85 \pm 0.06$ TO BE CHECKED AFTER NICKELLING WITH GO AND NOT GO GAUGES.
- 3 CONCENTRICITY OF $\phi 0.85 \pm 0.06$ TO THE EXTERNAL ϕ OF THREADS TO BE ENSURED BY TECHNOLOGY WITH THE LIMITS OF 0.1.

▽ IF NOT STATED OTHERWISE

MATERIAL IN-INDIA BRASS TO IS 2874
 (LATEST ISSUE)
 G2-123-CONDHON M-EDITION-1986

TO BE NICKEL PLATED TO SPECIFICATION NO. D10-995 OR TIN PLATED TO SPECIFICATION NO. D10-924
MATERIAL: BS EN: 12166-1998 MATERIAL SYMBOL CuZn40Pb2
 NUMBER CW 617N CONDITION R 420

DATE	AUTHORITY	REVISION	3-016919	53-B-025Y	42
15-2-82	D. C. I. 32748-A	TRACED WITHOUT CHANGE	REGULATOR	SLEEVE	LETTER MASS SCALE
11-2-80	D. C. I. 32748-A	PERMISSIBLE COATING-NICKEL SPECIFICATION NOTE			6 0.24 1001
8-2-71	D. C. I. 32748-A	MATL AMENDED			
2-5-70	D. C. I. 32748-A	MATL SPECN. SUPERSEDED.			
(b) 2					

D.S. CAT N°
 1390-000385

BRASS AC 59-19051012-47