


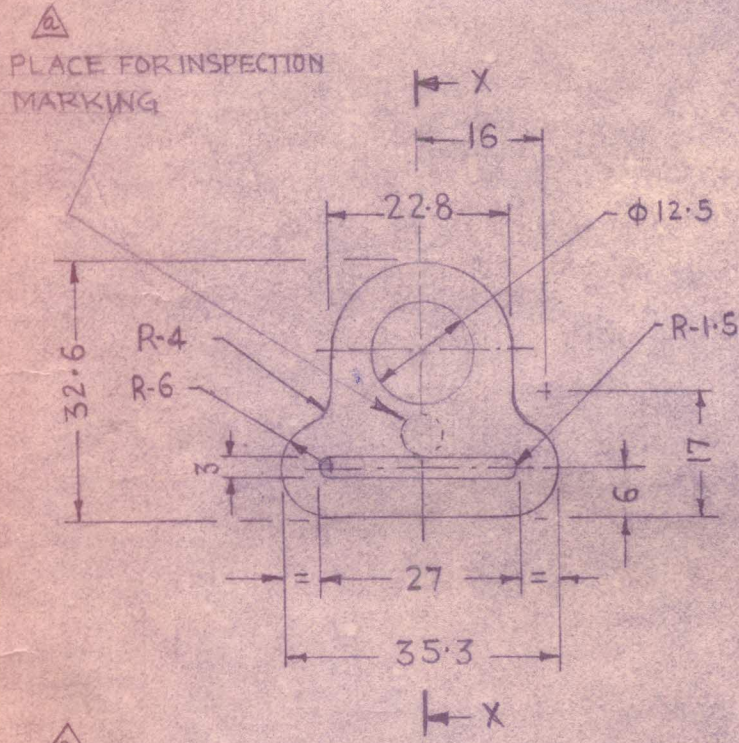
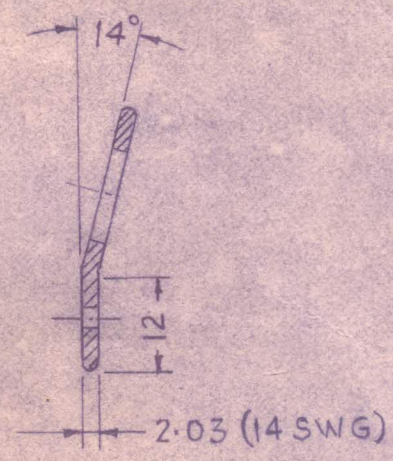


CHANGE SHEET No. 338	DRAWING CHANGE SHEET			AFFECTED DRG. NO. ADRDE/1366 (a)
DATED: 25/08/22	DRAWING TITLE: CONNECTING LUG OF END PLATE			NEW DRG. NO. ADRDE/1366 (b) SHEET 1 of 1
Sl. No.	SHEET NO./ LOCATION	EXISTING	AMENDED	REASON
1.	Sheet no. 1 of 1	Finish:- Ni-Cr Plated as per IS: 4942-1983, 0.025 Thickness	Finish:- Cu/Ni 10b Cr r, Plated as per IS: 1068-1993	Specification no. IS: 4942-1983 has been superseded by IS: 1068-1993 ✓
INITIATED BY  (Afzal Qureshi, Sc. 'D')		APPROVED BY  11/10/22 (Sudhakar Prasad, Sc. 'F')		VETTED BY  RCMA (K)
AERIAL DELIVERY RESEARCH AND DEVELOPMENT ESTABLISHMENT MINISTRY OF DEFENCE AGRA CANTT				



BENDING RADIUS = 1mm.



SECTION - X X

APPROVED
[Signature]

PACKING CLAUSE:-

EACH CONNECTING LUG SHALL BE PACKED IN A POLYTHENE BAG OF SUITABLE SIZE AND TIED THE MOUTH OF THE BAG TO BE HEAT SEALED 20 NOS. THUS SEALED BAG SHALL BE PACKED IN A SUITABLE SIZE OF CARTON 10 NOS OF SUCH CARTONS SHALL BE PACKED IN A C.W.P (DULY LINED WITH PAPER PACKING WATER PROOF) ONE CONNECTING LUG IN EACH CARTON SHALL BE IDENTIFIED BY A LABEL SHOWING CAT. NO. DESIGNATION OF THE STORE AND ALSO THE RECOGNISED INITIALS OF THE MANUFACTURER. THE PACKING CASE SHALL BE LEGIBLY AND INDELIBLY MARKED WITH THE ADDRESS OF THE CONSIGNEE, CONSIGNOR, CAT. NO, NOMENCLATURE OF THE STORE, THE YEAR OF MANUFACTURE, TOTAL NO OF PACKING CASES AND THE NO. OF INDIVIDUAL PACKING CASE IN A CONSIGNMENT.

a	16-12-99	D-4 B-4	ADRDE/PAS/AEP/ 57/B, DT. 13-12-99	PLACE FOR INSPECTION MARKING INDICATED PACKING CLAUSE INCLUDED	<i>[Signature]</i>
R.No.	DATE	ZONE	AUTHORITY	BRIEF RECORD	O/c HEAD D/S QA
DRN.	<i>[Signature]</i>	DRD		MATERIAL:- BRASS STRIP 1/2 H, Cu Zn 37 AS PER IS: 410-1967	ADRDE; AGRA
CHD.	<i>[Signature]</i>	<i>[Signature]</i>		FINISH:- Ni-Cy PLATED AS PER IS: 4942-1983, 0.025 THICKNESS	
TRD.		O/c	PGD	HEAT TREATMENT:- HARDNESS: 140/160 H.V.	APPROVED <i>[Signature]</i>
SCALE:-	1:1	PROJ. OFFR.	<i>[Signature]</i>		
DIMENSIONS IN	mm	DIV. HEAD			
TOLERANCE:-	IS: 2102 COARSE	CONNECTING LUG OF END PLATE			PROG. DIRECTOR (Q/A)
					DRG. No. (a) ADRDE/1366