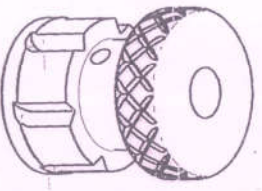
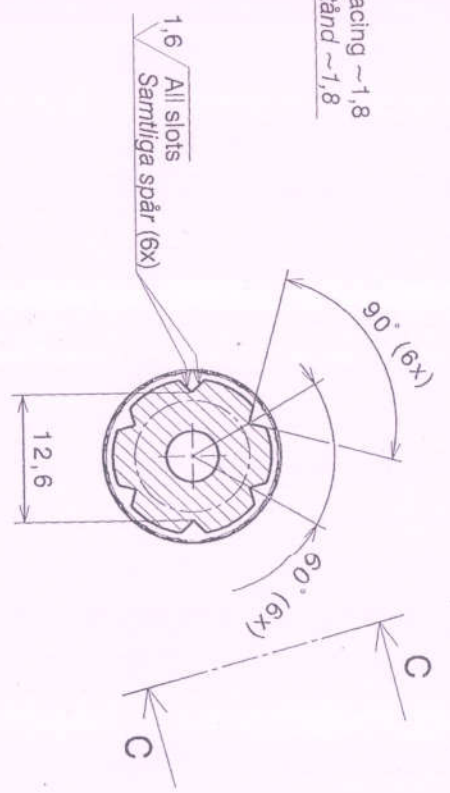
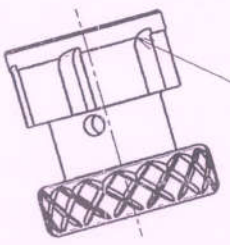


Knurlad, spacing ~1,8
Lättrad, avstånd ~1,8



Isometric view
Scale: 2:1



C-C

INDIG'S MATL.: IS: 5511-1993 DESIGNATION 40N: 60r4m03
*) Nitrocarburized FZ 12-26µ, Oxidation treated

7-11-17	19627-W	DRG. SEALED			
14-08-17	5B243B/CAW/007	INDIG'S MATL ADDED	SCANNED & PRINTED WITHOUT CHANGE	SIG	SIG
DATE	AUTHORITY	AMENDMENTS		SIG	SIG
PREV.DC.:				AHSP	DO

DRG SEALED :- 19627-W, DT: 07-11-17	SCANNED :- PKA	CHECKED :-
CQA (W), JABALPUR		

Material EN 10083-1-1.6582-QT		Addendum: Part number 404023269	
Yrskänslighet: Surface treated			
Generell yfärdighet: General surface roughness Ra 3.2	Skala: Scale 2:1	DIMENSIONS AFTER SURFACE TREATMENT	
Skarpa kanter/burkar: Sharp edges broken 0.3 max	Hållbarhet:		
Form- och tillagning: Form & pos tol. acc. to ISO 1101	Dokumentation: ISO 2768-MK		
Underskrift av: Issued by Andreas Schalin	Datum: Date 2014-11-07	Generell tillstånd: General tolerance AUTHORIZED	Generell radie: General Radius 601005579
Godkänd av: Approved by Chamoun Malki	Datum: Date 2014-11-11	Information: Information COMPANY RESTRICTED	Information: Information COMPANY RESTRICTED
Information: Information EXPORT CONTROLLED	Information: Information UNCLASSIFIED	Information: Information UNCLASSIFIED	Information: Information UNCLASSIFIED
Dokumentid: Document ID Knob 6 scales	Dokumentnummer: Document number 304052068		

FFV Ordnance AB

Utgåva: Issue: 1
Sida: Sheet: 1/1