


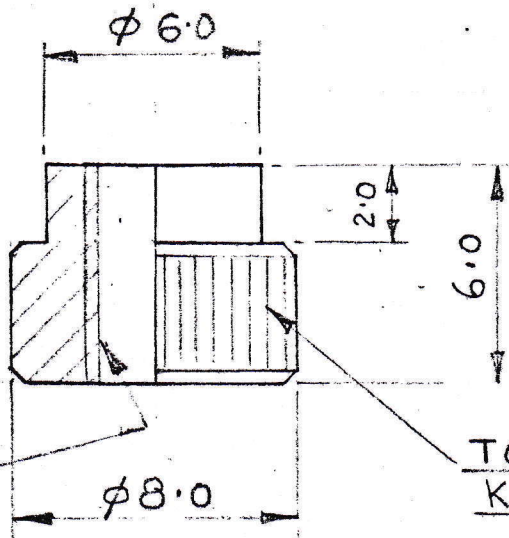
CASE, CARRYING

GOGGLES, NIGHT VISION PASSIVE 102 A
 DRG. NO. LRDE-379/16 NUT, PLAIN, KNURLED

| | | | |
|-------------|----------|----------|-----------|
| उगाड़का नाम | TITLE OF | संक्रिया | OPERATION |
| | | | |

THIRD ANGLE PROJECTION 

MCT-1646/1



FOR TRADE OFF
 Date of Issue 18/02/2002
 24-

TAPPED HOLE
 M 4.0

TO BE STRAIGHT
 KNURLED.

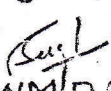
MATL:- STEEL ROD, IS: 7283-1974, CHEMICAL-
 COMPOSITION 30 C 8 OF IS: 1570 PT. II 1979.

FINISH:-

* APPLY PRIMER TO IS 2074-1962 AND THAN PAINTED
 (ISC-294 TO IS: 5-1978) OF IS: 8982-1978 EXCEPT BEARING
 SURFACES.

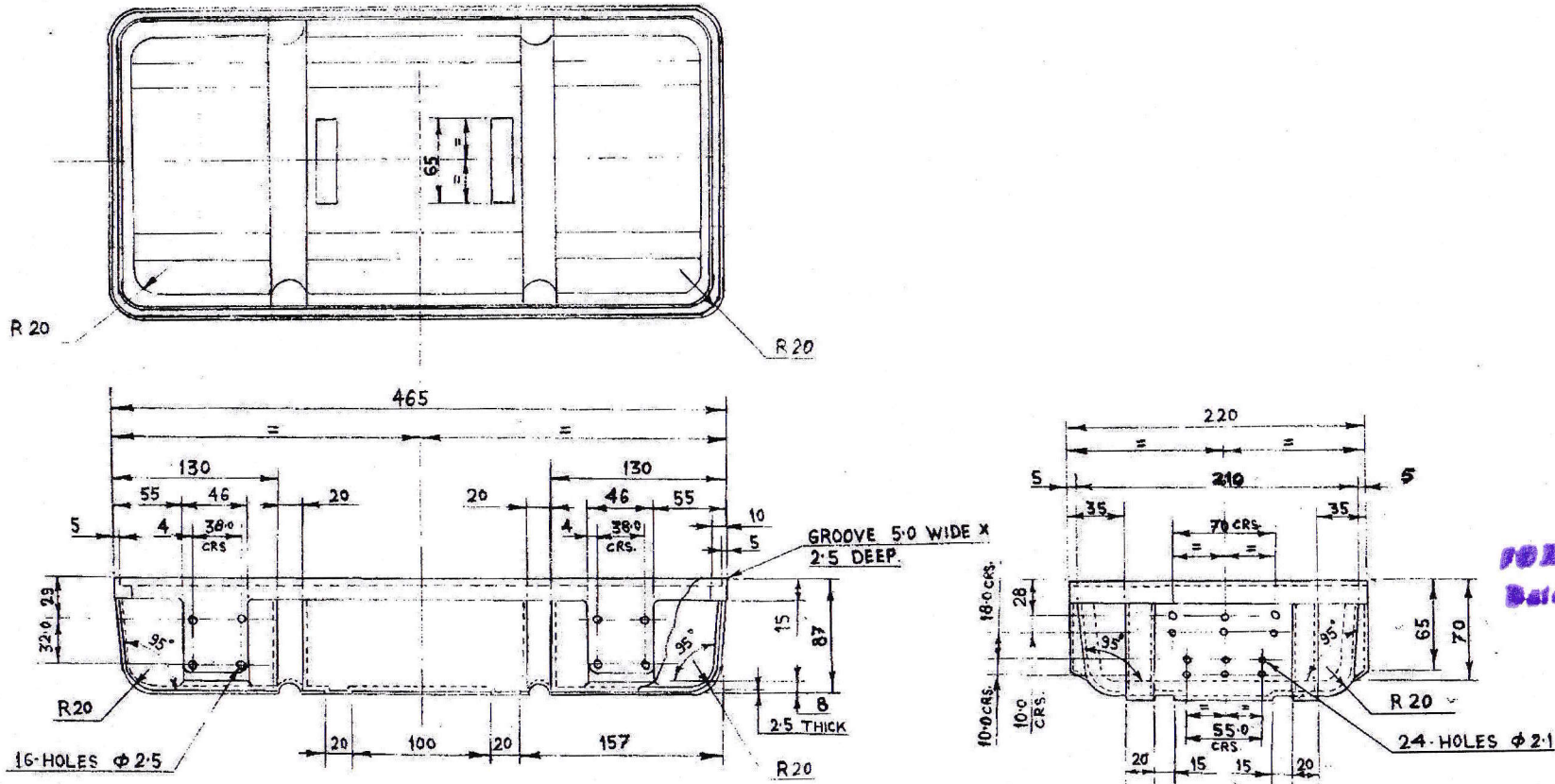
DIMENSIONS ARE IN M/M

IMPORTANT DIMENSIONS MARKED THUS \oplus
 INFORMATION MARKED THUS TO BE MARKED ON

| | | | |
|---------------------------------|---|-----------------------------------|---------------------|
| | | DT. 16-4-99 | रिजमात SCALE 5:1 |
| | ड्राफ्ट. DR- | मालु/सामग्री MATE | कार्यकार TREAT. |
| | अभ्युरे. TR- | AS ABOVE | AS ABOVE |
| | पडला. CH- | SHEETS 1 | SHEET No. 1 |
| * D.A. NO 18/2002 dt. 05-8-2002 | अनुमोदित APPROVED | हेलादित्र अनुक्रमिक DRAWING No | |
| AMENDMENTS |  | MCT-1646/1 | |
| OF D/D.O/002 | JWM/D.O | WM/MIS | |

आयुध निर्माणा देहरादून
 ORDNANCE FACTORY, DEHRADUN

MCT-2007



FOR TRADE O/M
Date of Issue 18/03/2010
Rf

MATL. :- FIBRE GLASS REINFORCED PLASTIC
(BEST COMMERCIAL QUALITY).
FINISH :- APPLY PRIMER TO IS:2074 -1962 AND THEN
PAINTED (ISC 294 TO IS: 5-1978) OF IS: 8982
-1978 EXCEPT BEARING SURFACES.

**ORDNANCE FACTORY
DEHRADUN**

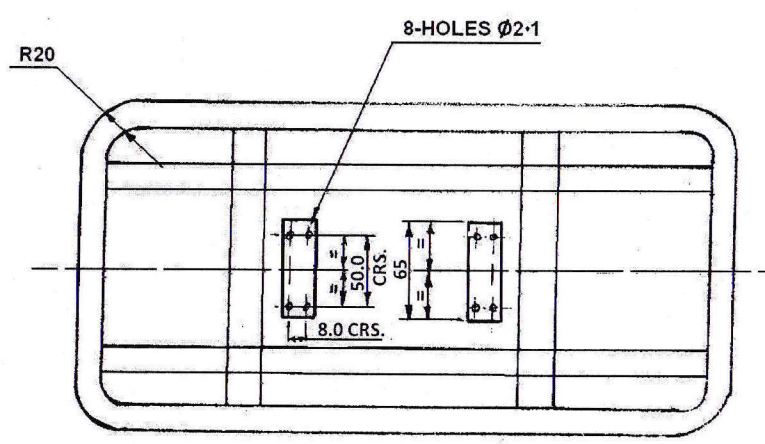
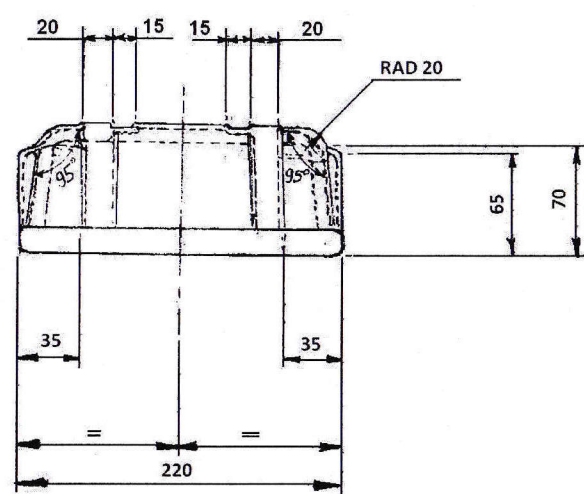
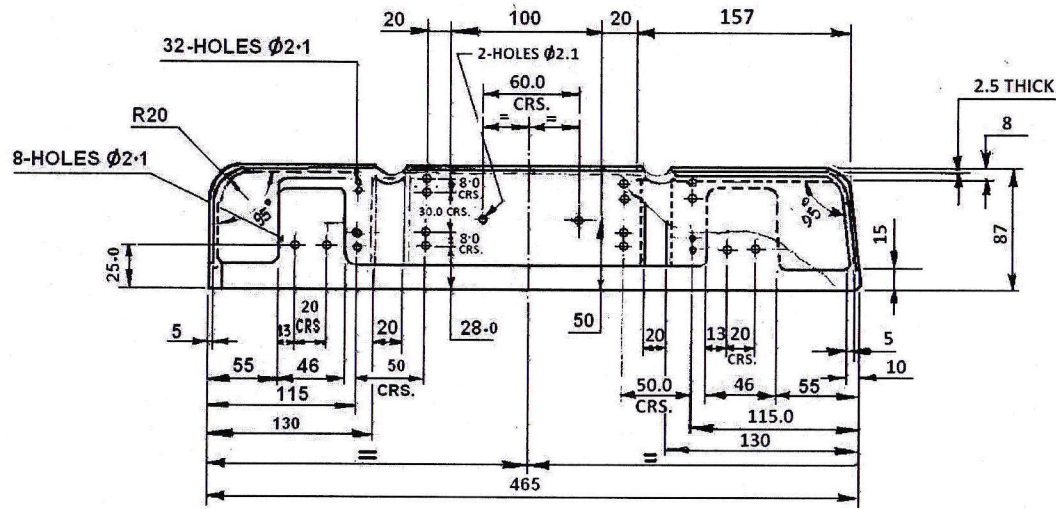
DR.: R.K.SHARMA
TR.:
CH.:
APPROVED
JWM/DO. AWM/PI.

**CASE CARRYING PASSIVE NIGHT SIGHT VISION 5.56 mm. LMG (INSAS)
BOX**

DRG. No. :-
IRDE-2003/1

AMENDMENTS
OFD/DO/002

DT.: 14.06.02 SCALE: -N.T.S.
MATL. TREAT
AS ABOVE AS ABOVE
SHTS. No. :- 1 SHT. No. :- 1
**DRAWING No. :-
MCT-2007**



BOTTOM VIEW

FOR TRADE OFF
 Date of Issue 18/03/2010
 Rep

MATL:- FIBRE GLASS RENFORCED PLASTIC
 (BEST COMMERCIAL QUALITY)
FINISH:- APPLY PRIMER TO IS: 2074-1962 AND THEN PAINTED
 (ISC 294 TO IS : 5-1978) OF IS : 8982-1978
 EXCEPT BEARING SURFACES

| | |
|--------------------------------------|--|
| ORDNANCE FACTORY DEHRADUN | DR.:- 07/12 |
| | TR.:- |
| | CH.:- |
| | APPROVED <i>[Signature]</i> JWM/DO. AWM/PI. |

CASE CARRYING PASSIVE NIGHT SIGHT VISION 5.56 mm. LMG (INSAS)
LID

DRG. No. :-
 IRDE-2003/2

| | |
|------------------|----------------------|
| DT.:- 14.06.02 | SCALE:- N.T.S. |
| MATL AS ABOVE | TREAT AS ABOVE |
| SHTS. No.:- 1 | SHT. No.:- 1 |
| AMENDMENTS | DRAWING No.:- |
| OFD/DO/002 | MCT-2008 |

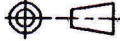
ORDNANCE FACTORY, DEHRADUN

**CASE CARRYING,
SIGHT NIGHT VISION PASSIVE 5.56mm RIFLE (INSAS)- 101A**

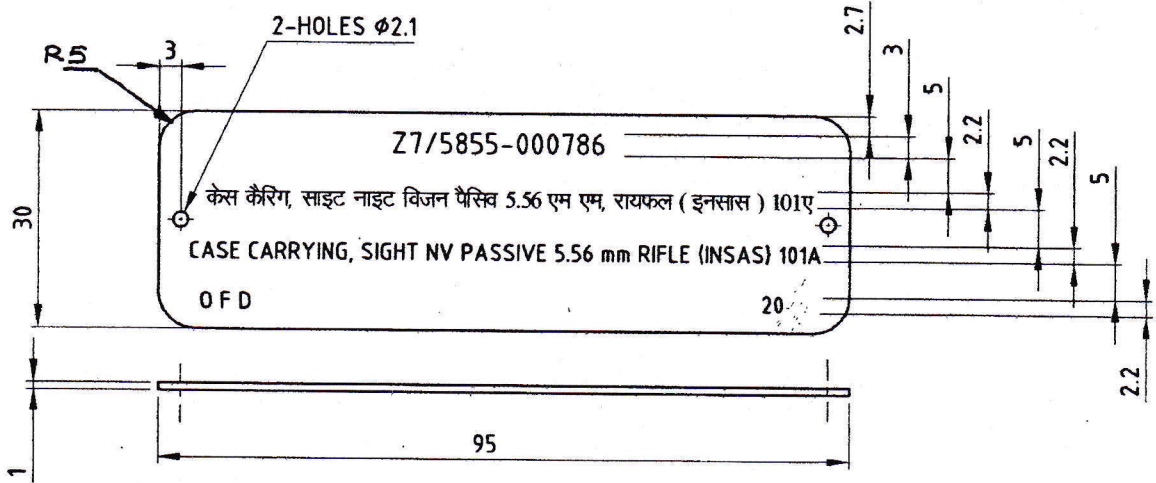
DRG. NO. IRDE-2653/3

NAME PLATE-1 (HINDI & ENG.)

THIRD ANGLE PROJECTION



MCT-2546/1



NOTE :-

LETTERS & FIGURES ARE TO BE PHOTOETCHED BLACK ON ANODISED AL. PLATE.

MATL. :-

AL. ALLOY, 19000 HI-IS: 737-1986

FINISH :-

ANODISED AC-15 IS:1868-1982

FOR TRADE COPY
Date of Issue 18/03/2010
Ag-

DIMENSIONS ARE IN M/M. OTHERWISE STATED
IMPORTANT DIMENSIONS MARKED THUS ⊗
INFORMATION MARKED THUS † TO BE MARKED ON

| | | | |
|--------------------------------|---|---|--------------------|
| | | DT.- 30-08-2007 | SCALE- 1:1 |
| | DR- P.C.SINGH | MATL. AS ABOVE | TREAT. AS ABOVE |
| | TR- | | |
| | CH- | SHEETS- 1 | SHT. NO.- 1 |
| D.A. No 27/2011 DT- 30/9/11 | <p style="font-size: 1.2em; margin: 0;">APPROVED</p> <p style="margin: 0;">JWM/D.O.</p> <p style="margin: 0;">Jt.GM/P-II</p> | <p style="font-size: 1.2em; margin: 0;">DRAWING NO.</p> <p style="font-size: 1.2em; margin: 0;">MCT- 2546/1</p> | |
| AMENDMENTS | | | |
| OFD/DO/002 | | | |