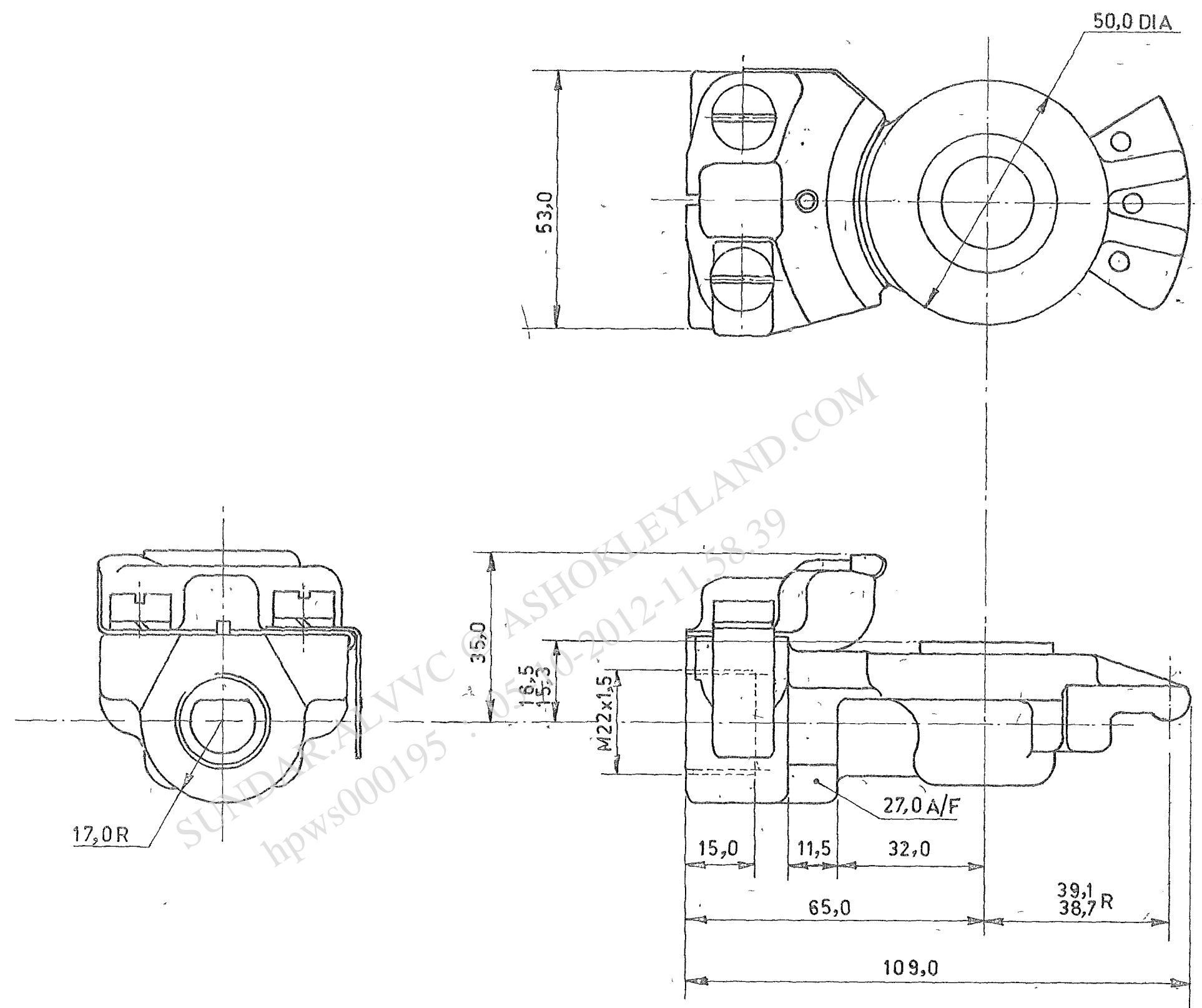
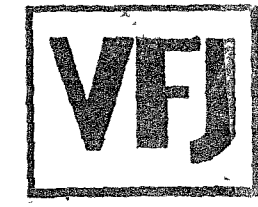


PART No. M800020  
 ENGINEERING CHANGES  
 No. DATE REV. SIGN.

GA  
 F32308/1

IF IN DOUBT ASK - DO NOT SCALE



F32308/1

SIGN	DATE	THIS DRG IS THE SOLE PROPERTY OF SUNDARAM CLAYTON LTD. IT SHOULD NOT BE COPIED OR COMMUNICATED TO ANY PERSON WITH OUT THE WRITTEN APPROVAL OF SUNDARAM CLAYTON LTD © 1988
DRN.		
CHD	30.5.81	
APD		
TRD		

ALL DIMENSIONS IN MM REMOVE BURRS AND SHARP EDGES FROM FINISHED PARTS  
 ALL DIMENSIONS ARE AFTER PLATING  
 MALE THREAD TO IS 4219-1987-69  
 FEMALE THREAD TO IS 4219-1987-69

MATERIAL	No OFF	ISSUED
MADE FROM	CAN BE MADE FROM	
MACHINING TOLERANCE FOR OPEN DIMENSIONS		
DIMM	OVER	
	UPTO & INC	
TOLERANCE		

SUNDARAM CLAYTON LTD.,  
 SCALE  
 PALM COUPLING

MADRAS-600050  
 PART No. M800020  
 GA