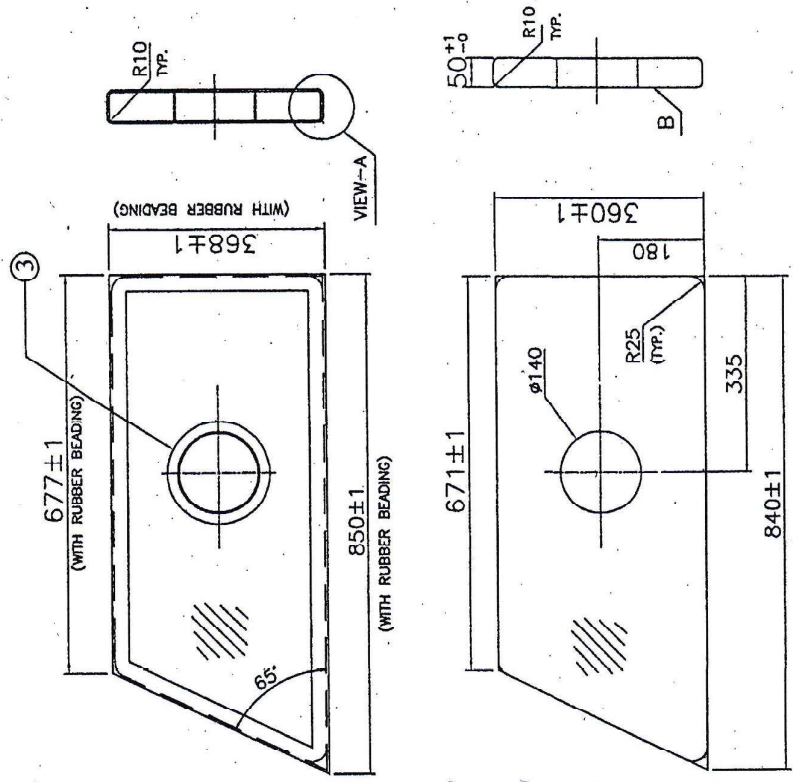


29

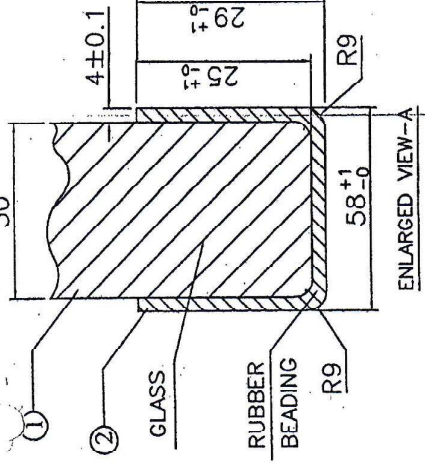
PROVISIONAL
 18
 JMM/DC

ASSEMBLY DRAWING
 GLASS WITH 4mm THICK U-TYPE RUBBER BEADING



GLASS DRAWING

- NOTE:
1. ALL DIMENSIONS ARE IN MM.
 2. TOLERANCE ON UNSPECIFIED DIMENSIONS ARE ±1 mm.
 3. REFER ANNEXURE - B FOR MATERIAL AND OTHER DETAILS.
 4. B.P. GLASS TO BE SUPPLIED ALONG WITH U-TYPE RUBBER BEADINGS OF 4mm THICK DULY MOULDED ALONG PROFILE OF THE GLASS.
 5. GLASS SHOULD GIVE PROTECTION AGAINST 6 ROUNDS OF FIRE WITH 7.62 SLR FROM 10 MTRS. DISTANCE.
 6. GLASS SHOULD BE SPLINTER PROOF TYPE.
 7. THE CROSS SECTION OF THE RUBBER BEADING SHOULD BE AS SHOWN IN THE DRAWING.



ENLARGED VIEW-A

QTY./VEH= 1 NO.

- NOTE:
8. LENGTH OF THE RUBBER BEADING SHOULD BE AS PER PERIMETER OF B.P. GLASS AND HOLE 140% FOR WHICH RUBBER BEADING IS GIVEN AND CORNER BENDS ARE TO BE MAINTAINED AS PER GLASS PROFILE AND RADII.
 9. RUBBER MATERIAL SHOULD SATISFY THE REQUIRED PROPERTIES AT THE TIME OF RECEIPT
 10. PROPERTIES OF THE MATERIAL:
 - a) TYPE OF RUBBER : NEOPRENE (OR) EPDS
 - b) SHORE HARDNESS : 60±5 AT THE TIME OF RECEIPT.
 - c) TENSILE STRENGTH : 70 + 5 KG/sq. cm.
 - d) ELONGATION : 300 % + 10 % min
 - e) POLYMER CONTENT : 60 % min.
 11. SPLINTER PROOF MATERIAL TO BE PROVIDED ON SURFACE "B" (AS SHOWN IN DWG.) SO AS TO MOUNT THE GLASS ON RIGHT SIDE OF THE VEHICLE.

ITEM	DESCRIPTION	NO.OFF	MATL	TREAT/SIZE	REMARKS
3	RUBBER BEADING FOR HOLE	1		58x15x4t	
2	RUBBER BEADING OUTER	1		58x28x4t	
1	DRIVER SIDE GLASS	1		840x360x50t	

INDEX	ALTERATION	DATE	SIGN	DATE	APPROVAL	REMARKS
						DIRODC
						UPGRADED MPV 4X4
						JMM/DC
						DRN
						CKD

DIMS. (TOL)	REF.DRG. NO.	SCALE
0-30 ±0.1	645-10-1012-1)	1:1
30-250 ±0.2		23.08.18
250-600 ±0.3		DATE
600-3000 ±0.5		
>3000 ±0.8		

ODC	REPLACEMENT FOR	DRG. NO.	1/1
	VEHICLE FACTORY, JABALPUR	2668-57-31	SHT.

TECHNICAL SERVICES SECTION
 Vehicle Factory, Jabalpur
 CERTIFIED CORRECT COPY
 11.03.2022
 JMM/DC

CLB