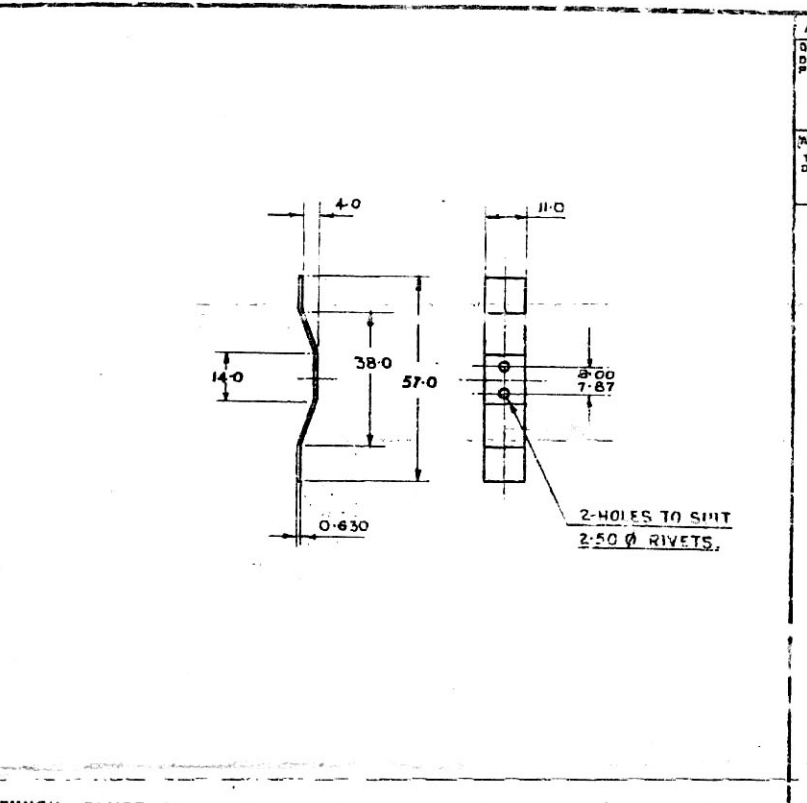
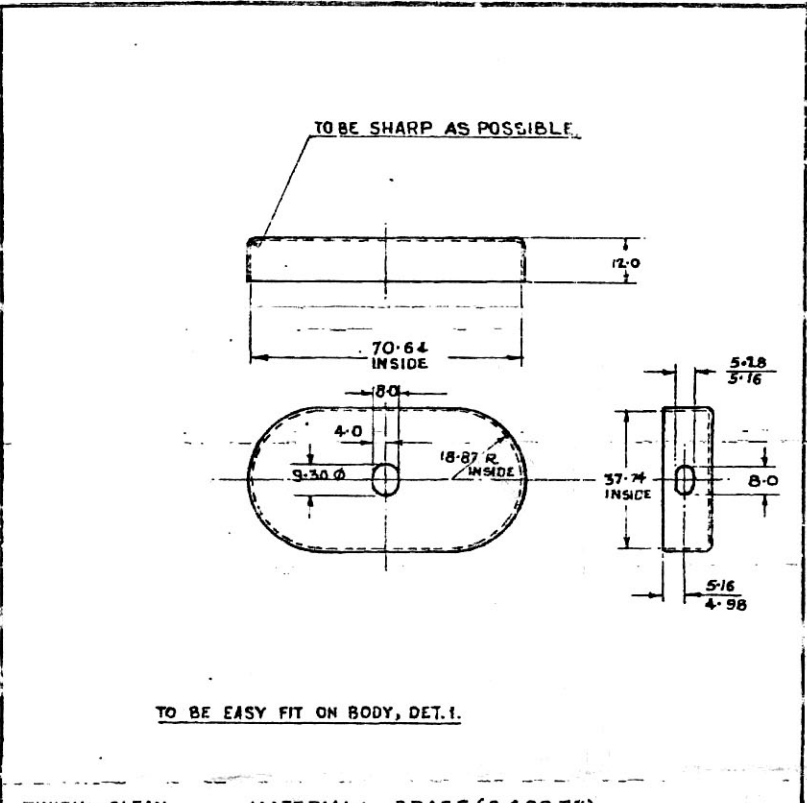
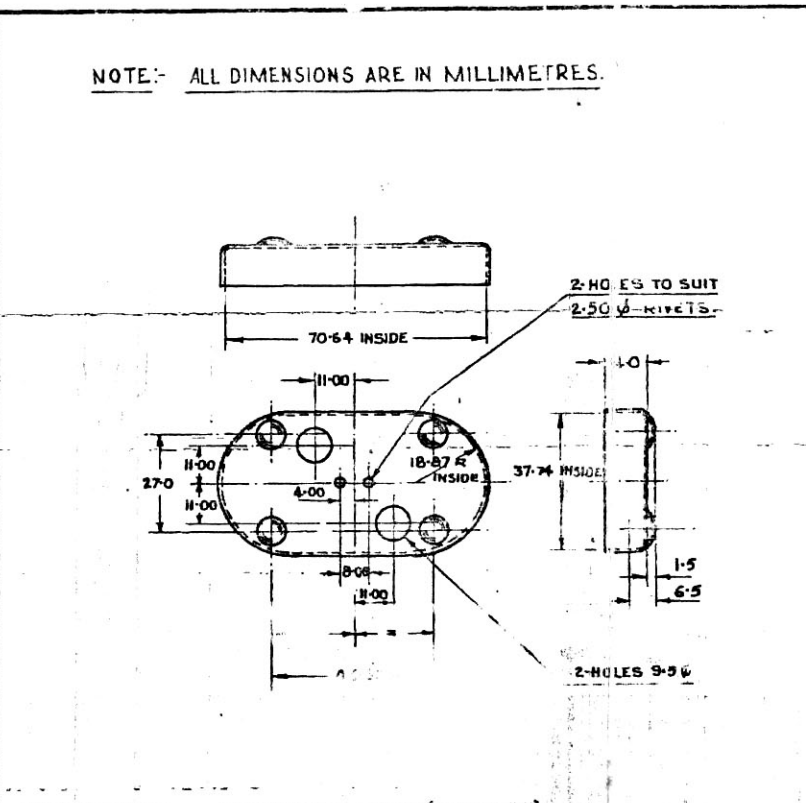
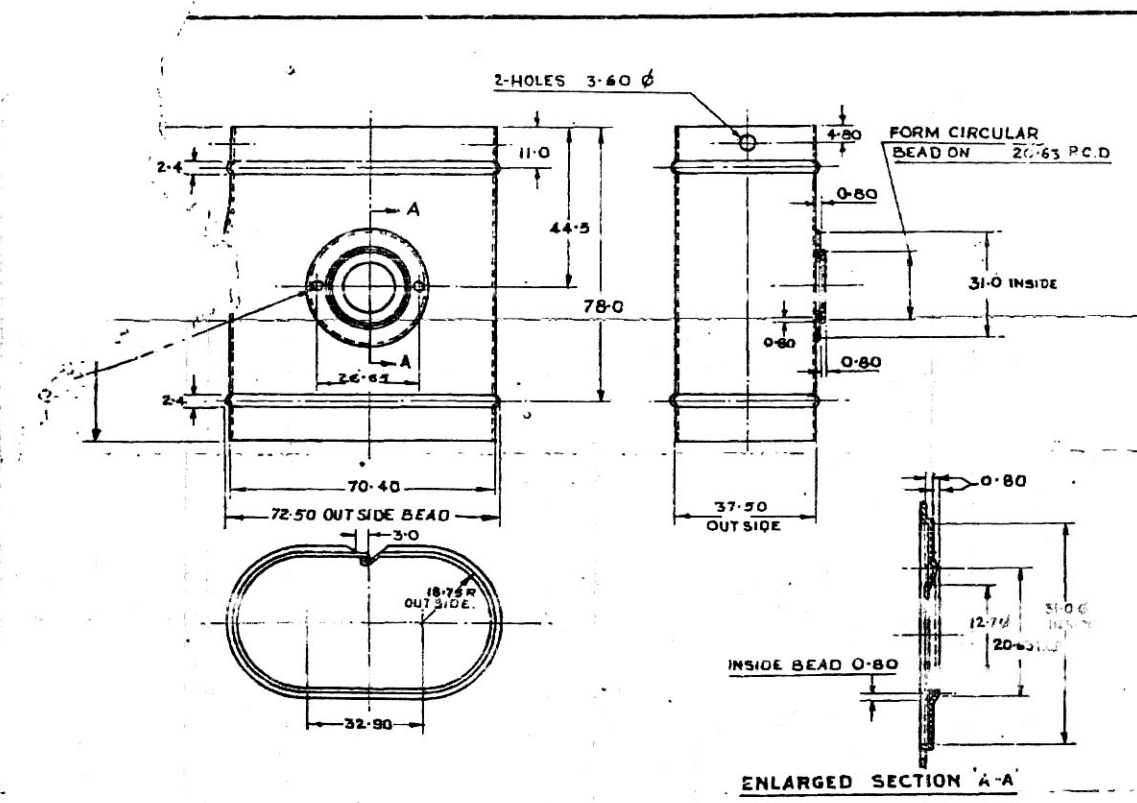
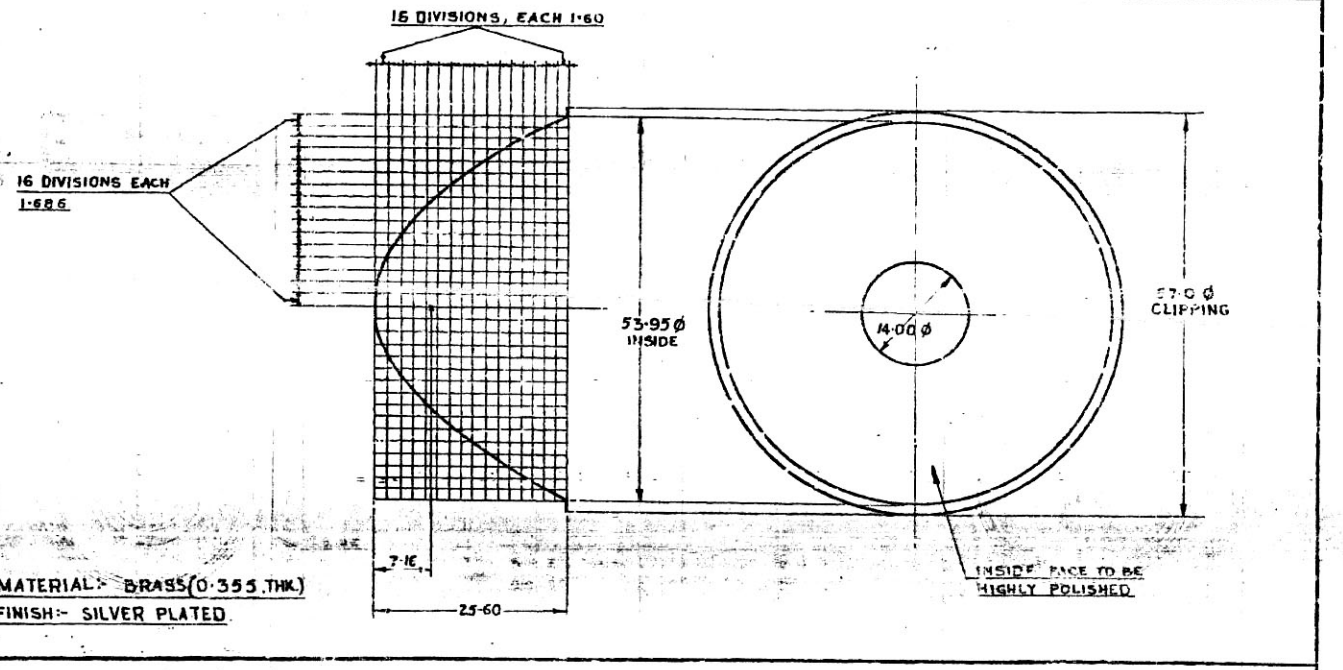
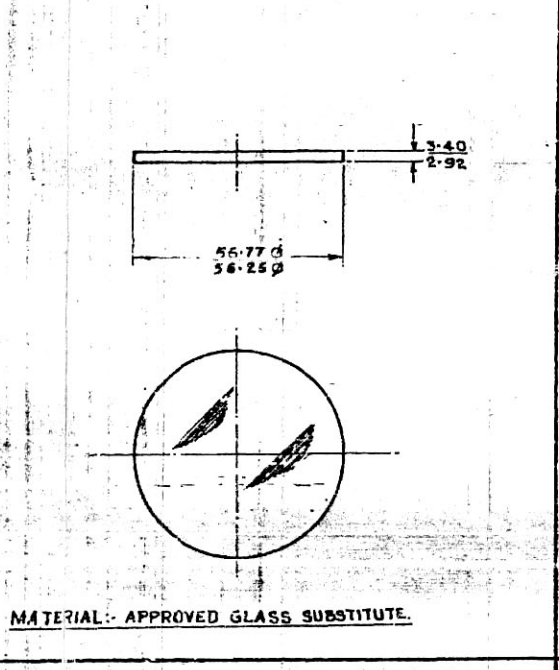
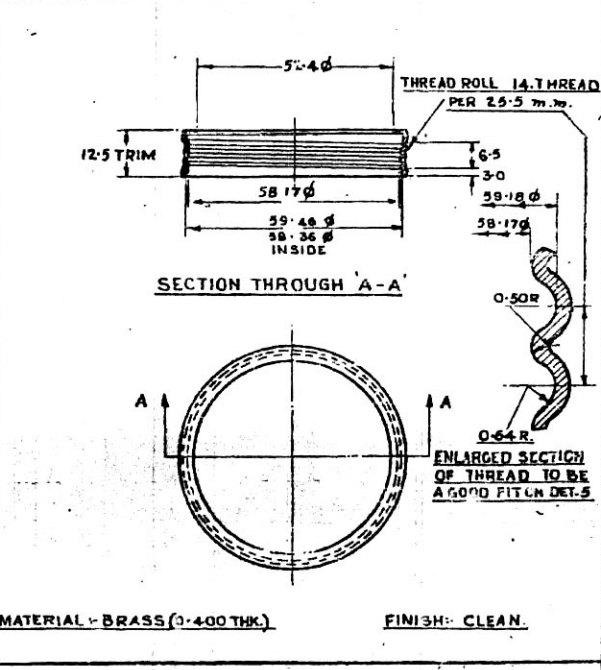
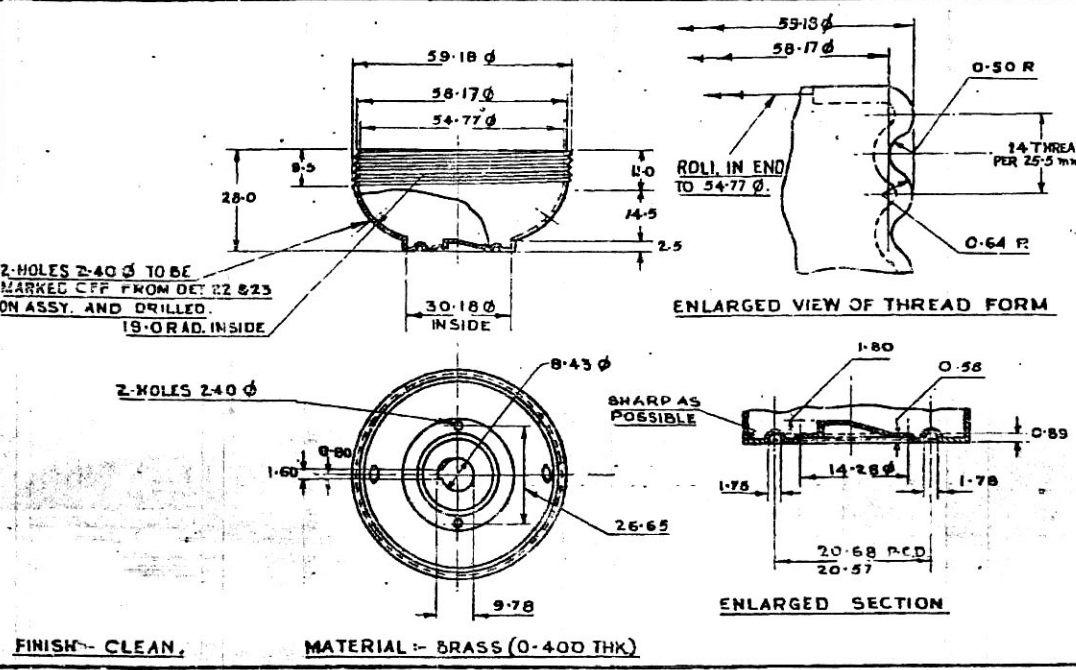


AMENDMENTS  
 23-12-77  
 TITLE APPROVED  
 DATE: 23-12-77

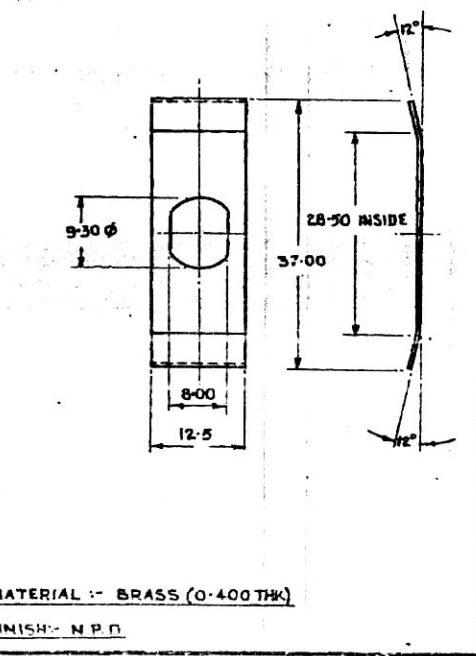
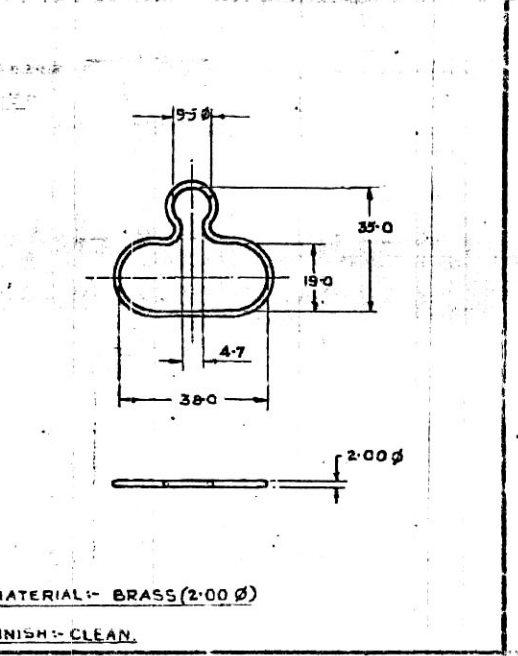
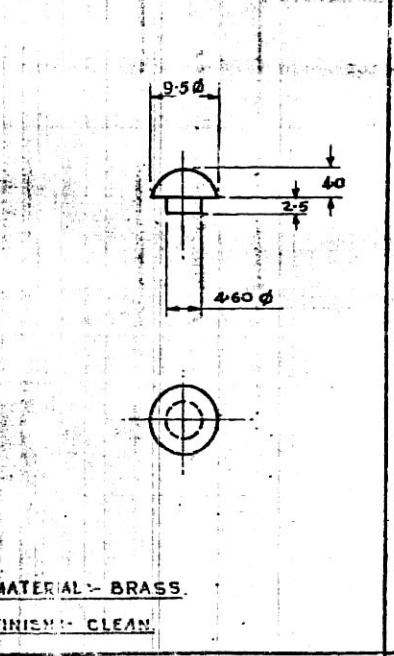
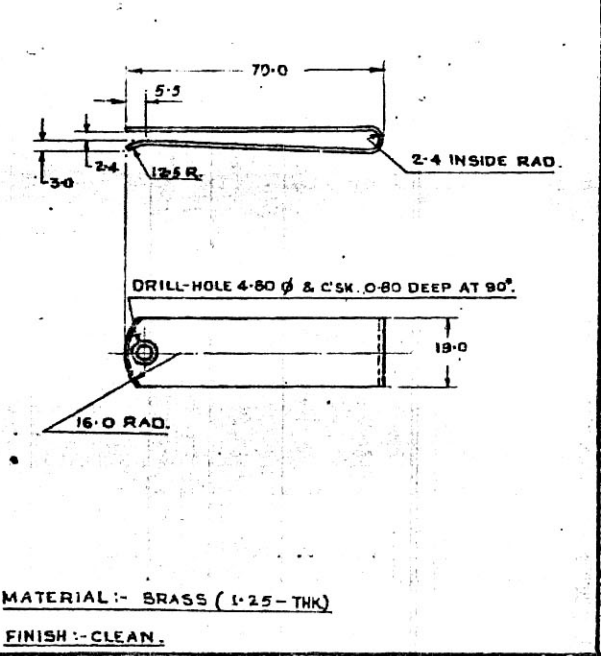
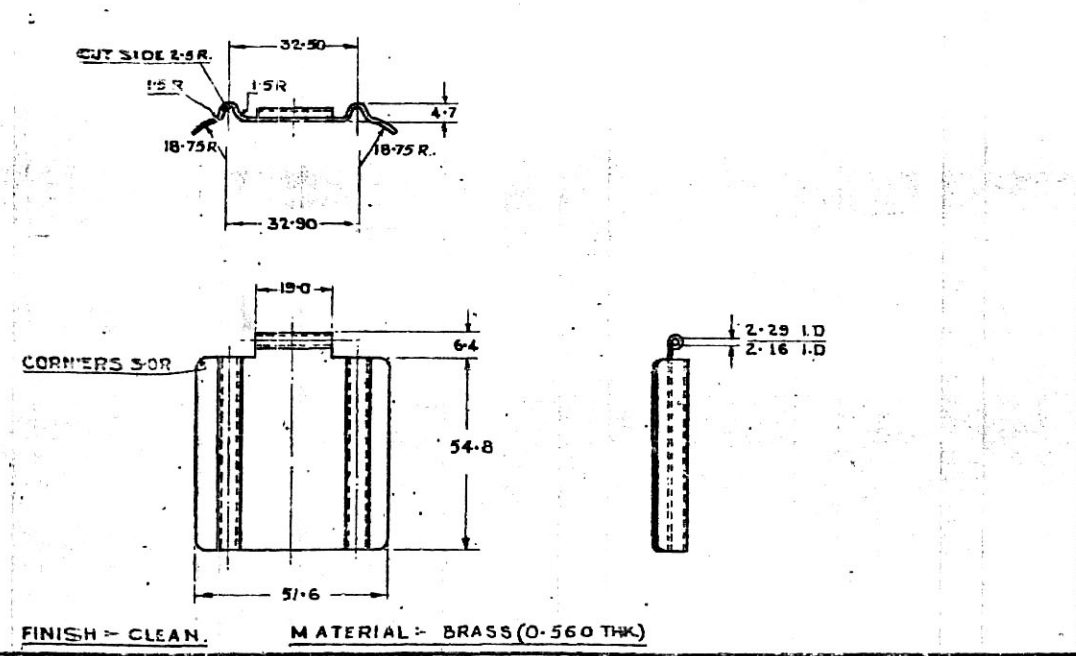
BASED ON DRG. N. I.R.



FINISH: CLEAN. MATERIAL: BRASS (0.400 THK) DET.1 BODY. 1-OFF / SET  
 FINISH: CLEAN. MATERIAL: BRASS (0.400 THK) DET.2. BOTTOM CAP. 1-OFF / SET.  
 FINISH: CLEAN. MATERIAL: BRASS (0.400 THK) DET.3 TOP CAP. 1-OFF / SET  
 FINISH: BLUED RUSTLESS. MATERIAL: SPRING STEEL (0.630 THK) DET.4. SPRING. 1-OFF / SET



FINISH: CLEAN. MATERIAL: BRASS (0.400 THK) DET.5. HOUSING. 1-OFF / SET  
 MATERIAL: BRASS (0.400 THK) FINISH: CLEAN. DET.6 WINDOW RING. 1-OFF / SET  
 MATERIAL: APPROVED GLASS SUBSTITUTE. DET.7 WINDOW. 1-OFF / SET  
 MATERIAL: BRASS (0.353 THK) FINISH: SILVER PLATED. DET.8. REFLECTOR. 1-OFF / SET



FINISH: CLEAN. MATERIAL: BRASS (0.560 THK) DET.9. BELT CLIP BRACKET. 1-OFF / SET  
 MATERIAL: BRASS (1.25 THK) FINISH: CLEAN. DET.10. BELT CLIP. 1-OFF / SET  
 MATERIAL: BRASS. FINISH: CLEAN. DET.11 BELT STOP. 1-OFF / SET  
 MATERIAL: BRASS (2.00 Ø) FINISH: CLEAN. DET.12 BUTTON CLIP. 1-OFF / SET  
 MATERIAL: BRASS (0.400 THK) FINISH: N.P.D. DET.13 CONTACT STRIP. 1-OFF / SET

LANTERN  
 ELECTRIC, 1A.  
 (DETAILS)  
 DRAWN BY: M. TRACED BY: M. CHECKED BY: M.  
 54/  
 COL. CHIEF INSP. OR ENGINEER & SIGNALS STORES.

RETRIEVED AT: ISS. BY: 54/  
 CHECKED BY: 54/  
 DATE: 25-11-82  
 I.R.E.S.  
 M.  
 4766  
 (METRIC)

ORIGINAL

D.C. (I) No. 644-E (Prov.) 7144-E  
 FOR CONTROLLER  
 DATE: 23-12-77  
 CHECKED BY: M. TRACED BY: M. CHECKED BY: M.  
 APPROVED BY: M. TRACED BY: M. CHECKED BY: M.