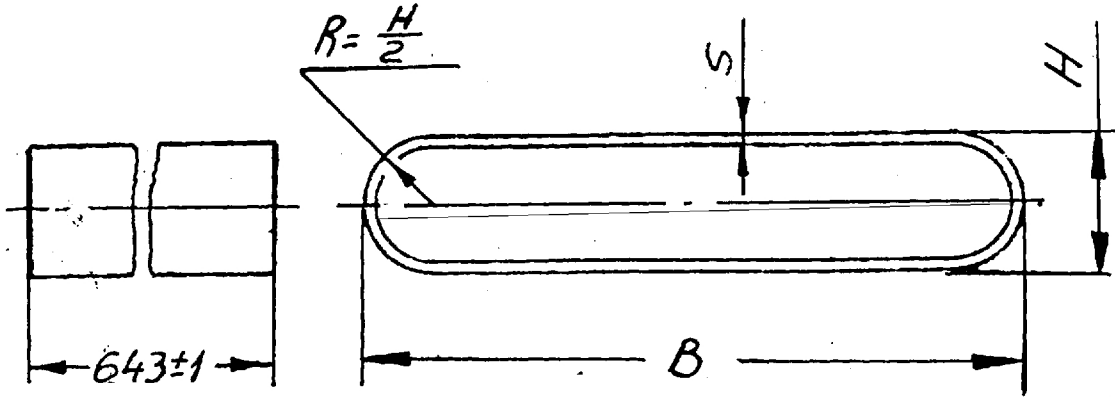


765-03-86/88

2



DESIGNATION	BxHxS	WEIGHT	USED ON
765-03-86	19,5x2,5x0,25	0.0611	- 765-03-СБ 165
765-03-87	17x3,5x0,25	0.0554	- 765-03-СБ 169
765-03-88	17x3,5x0,4	0.0878	- 765-03-СБ 169

APPROVED

*[Signature]*  
M VASU

765-03-86/88

CHECKED

*[Signature]*

CONTROLLERATE  
OF  
INSPECTION  
(ICV)

PIPE  
TABLE DRAWING

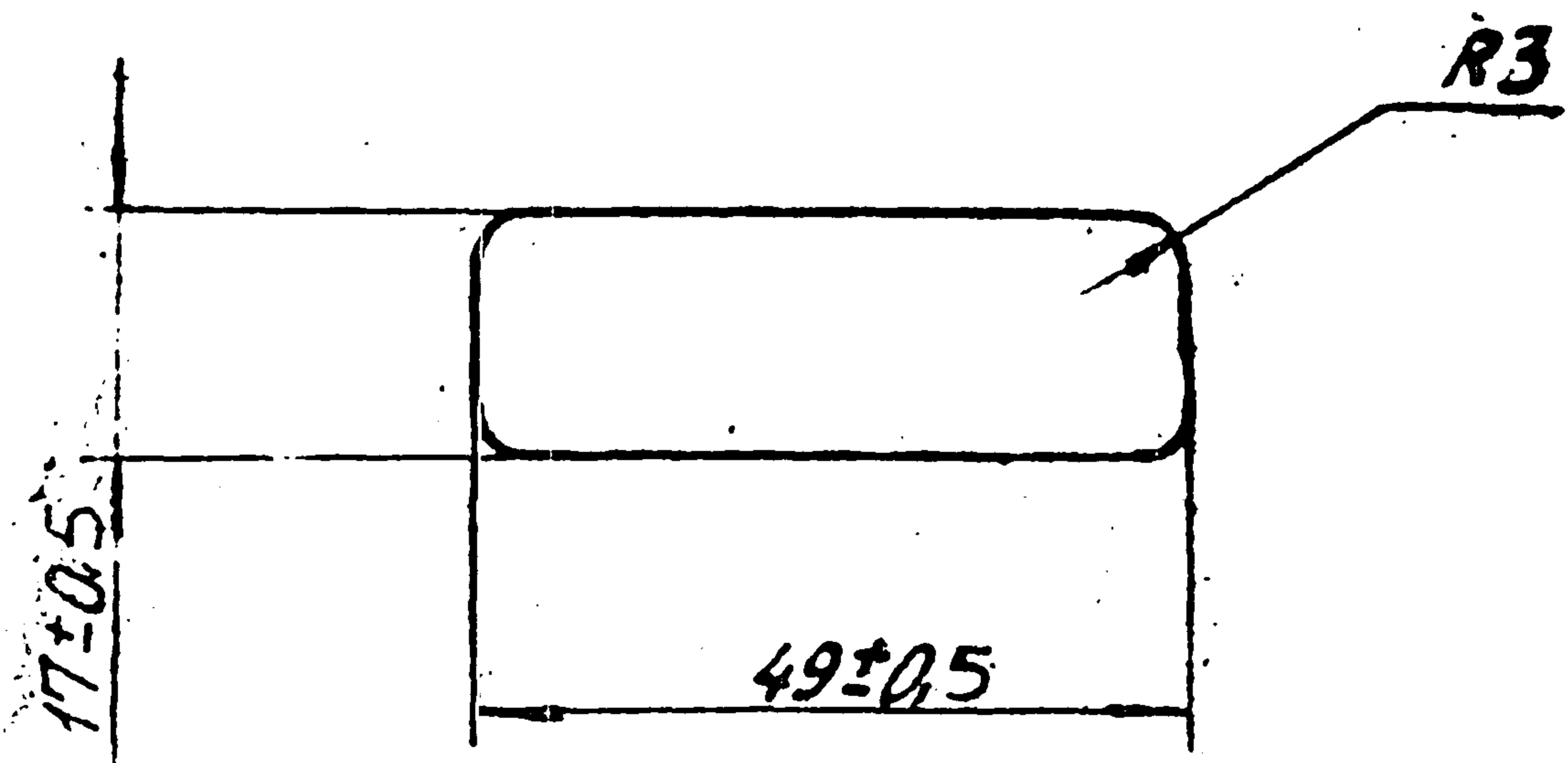
PIPE ДНОxT BxHxSx  
0.643 П96 GOST 2936-75

WEIGHT SCALE

SHT SHTS

11-03-91

All around



Thickness is 1 mm.

1. Blunt sharp edges.
2. Alternate material is M2 and M3, GOST 859-78.

USED ON 765-03-C5166

APPROVED

*[Signature]*

CHECKED

*Suhman*

CONTROLLERATE  
OF  
INSPECTION  
(ICV)

765-03-11

PARTITION

SHEET ДПР x M1,0 M1  
GOST 495-77

WEIGHT SCALE

0.0065 1:1

SHT SHTS