

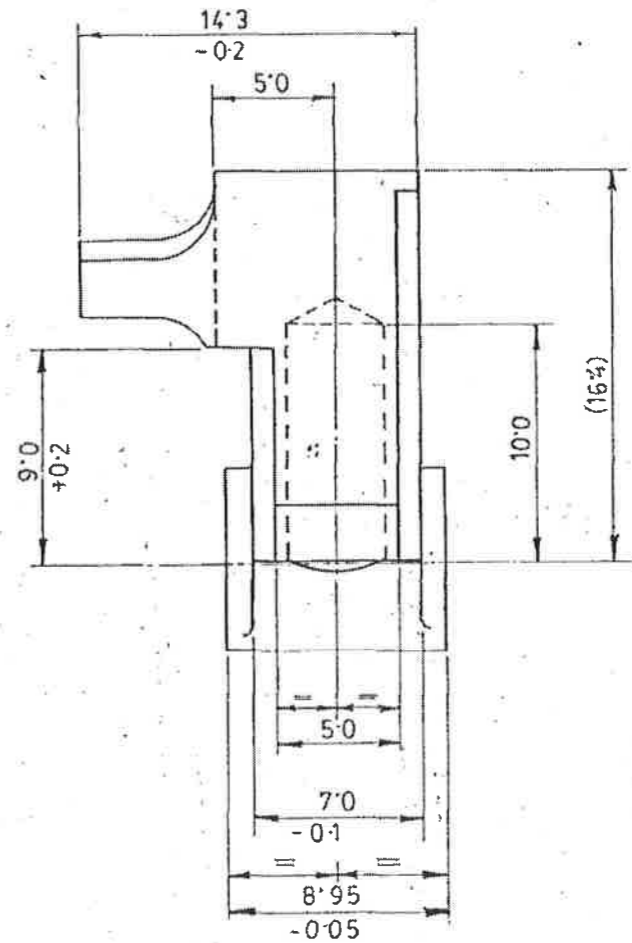
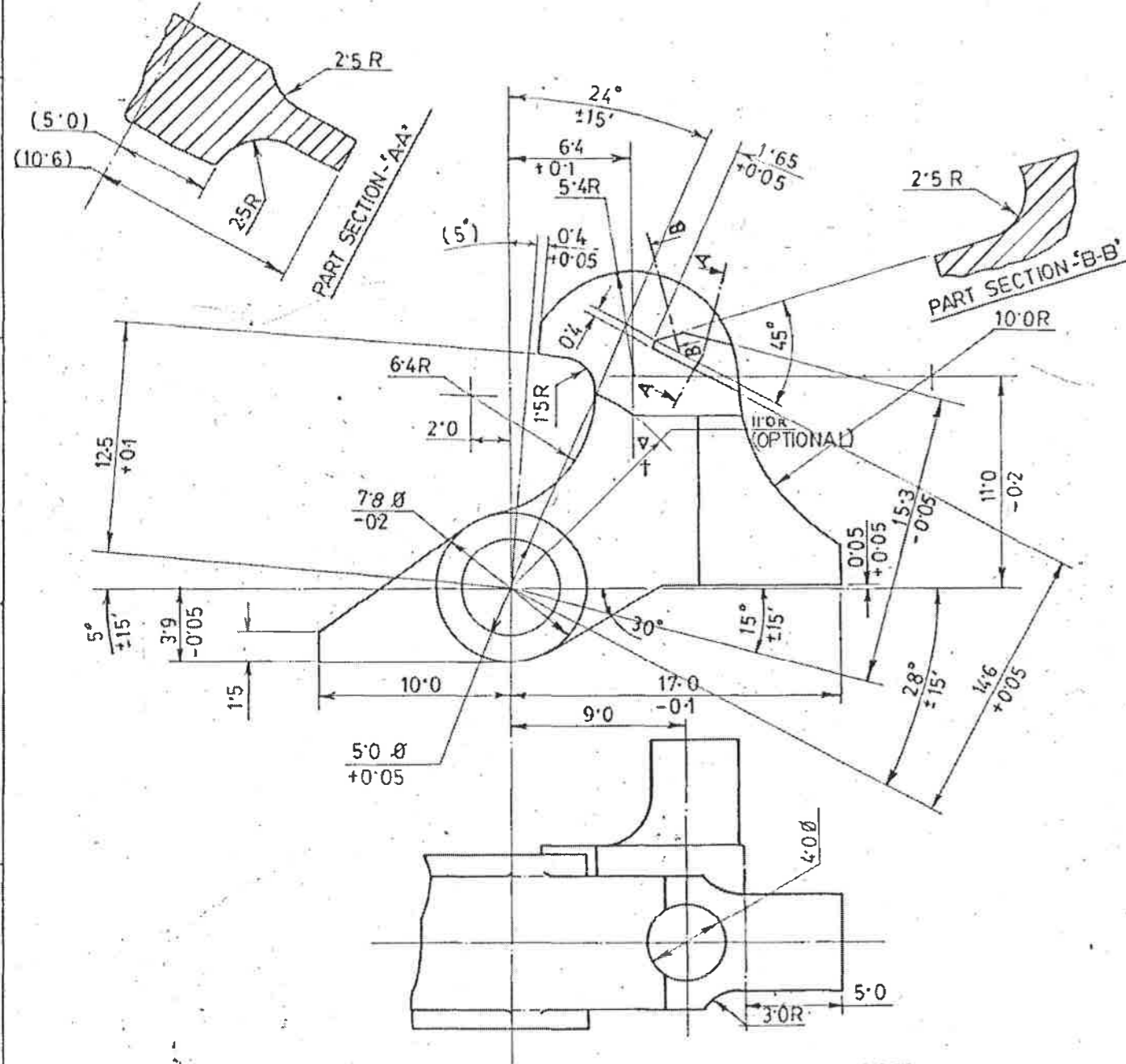
1005-007736 D.S. CAT. NO.

DRG. CONVENTIONS CONFORM TO JSG-0104
DIMNS. ARE IN mm. GEN. TOL. 'MEDIUM' IS: 2102

TOLERANCE FOR ANGLES ±30', UNLESS OTHERWISE STATED.

MARKING BY STAMPING. LETTER SIZE. 2x2mm

▽ Y.P. OF MFG.
† MANUFACTURER'S CODE



NSN: B1/1005-72-0000736

| | | | | | | | | | |
|---------------------|----------|--|------|-----------|--------------|------|---------------------|--|-------------------------------|
| 16-7-10 | 26524-SA | NSN ADDED | | | DRN. | CHD. | TRD. <i>Ray</i> | COMP. <i>Neelam</i> | AHSP. COA (SA) ICHAPUR |
| 20-12-03 | 25089-SA | MARKING NOTE AMENDED & MARKING PLACE SHOWN | C/3 | | SCALE: 5:1 | | APPROVED | BT. 10.7.86 | ASSY. 1005-007830 |
| 03-12-97 | 23967-SA | PROFORMA CHANGED, NOTE DELETED, MARKING NOTE ADDED, NEG. RE-TRACED AND DRG. PROV. RE-SEALED. | | | DT. 03-12-97 | | <i>Arde</i> | NEG. RE-TRACED | |
| | | PREVIOUS D.C. NOS. 23758-SA, 23929-SA | | | | | MATERIAL:- | STEEL BS: 970: Pt. 1: 1983 Gd. 655 | DGNR'S REF. ARDE SK. 2689/233 |
| | | | | | | | M.13 (En. 36B) | | PART NO. |
| DATE. AJTHY. | | BRIEF RECORD | ZONE | I/C. D.O. | G.O. | | H.T./HARDNESS:- | CASE HARDENED BY CYNIDING PROCESS TO A DEPTH OF 0.1 TO 0.2 | DRG. No |
| SEALED:- | | PROV. D.C. NO. 23758-SA, DT. 21.3.97 | | SIGN. | | | HARDNESS:- | 450 TO 500 H.V. | D.S. CAT. No. |
| NOMENCLATURE:- SEAR | | | | | | | PROTECTIVE FINISH:- | JSS: 0465-01:1988 CLASS II (ACCELERATED), OIL FINISH. | 1005-007736 |