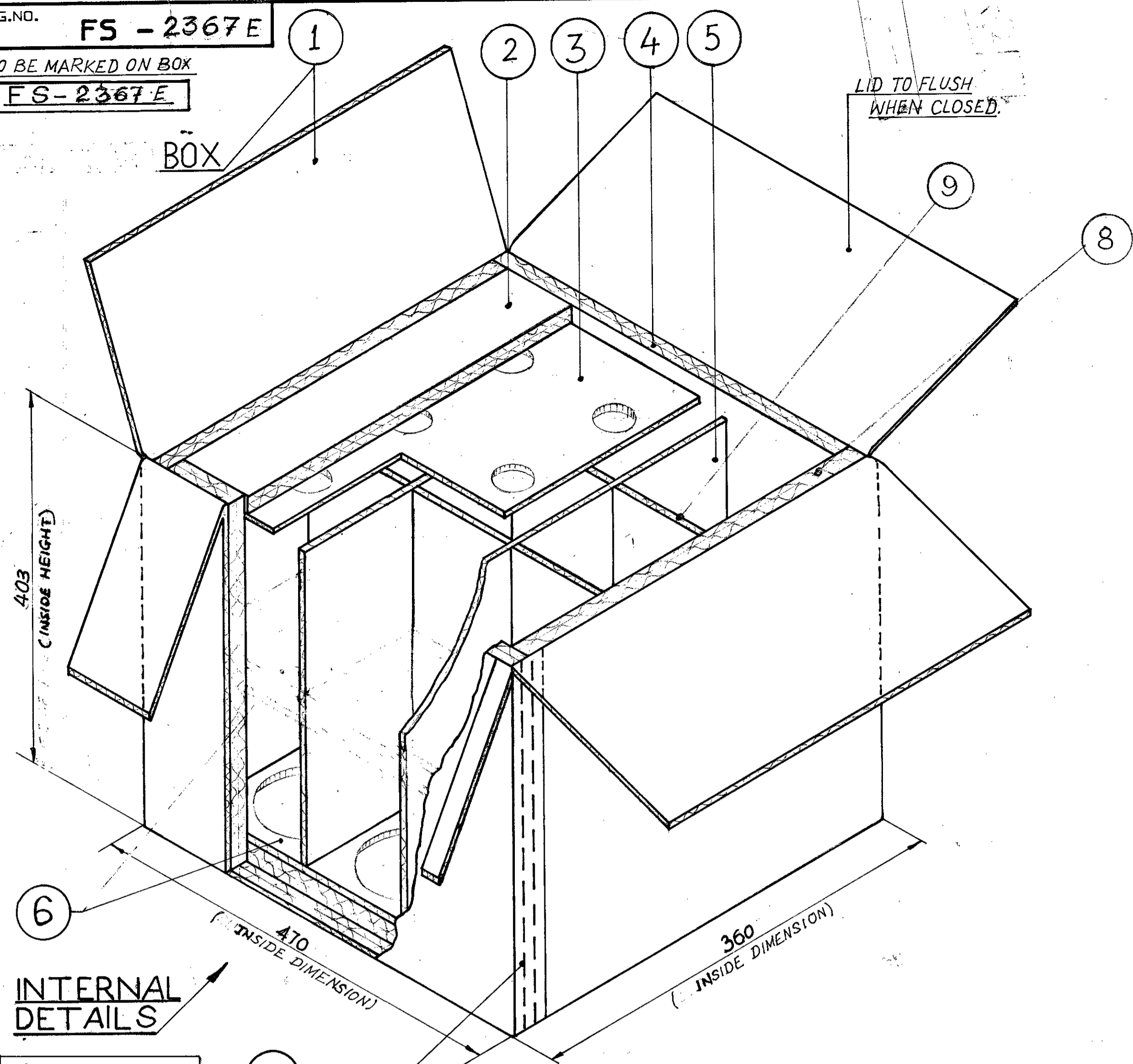


DRG. NO. **FS - 2367 E**

TO BE MARKED ON BOX
FS-2367 E



INTERNAL DETAILS

TO
SR. GM.
ORD. FY. KHAMARIA
COMPT - 84mm TPT
FROM,
SR. GM
ORD. FY AMBAJHARI
QTY. 12 DT. ---

FOLLOWING TO BE PRINTED
IN 25mm LETTER HEIGHT

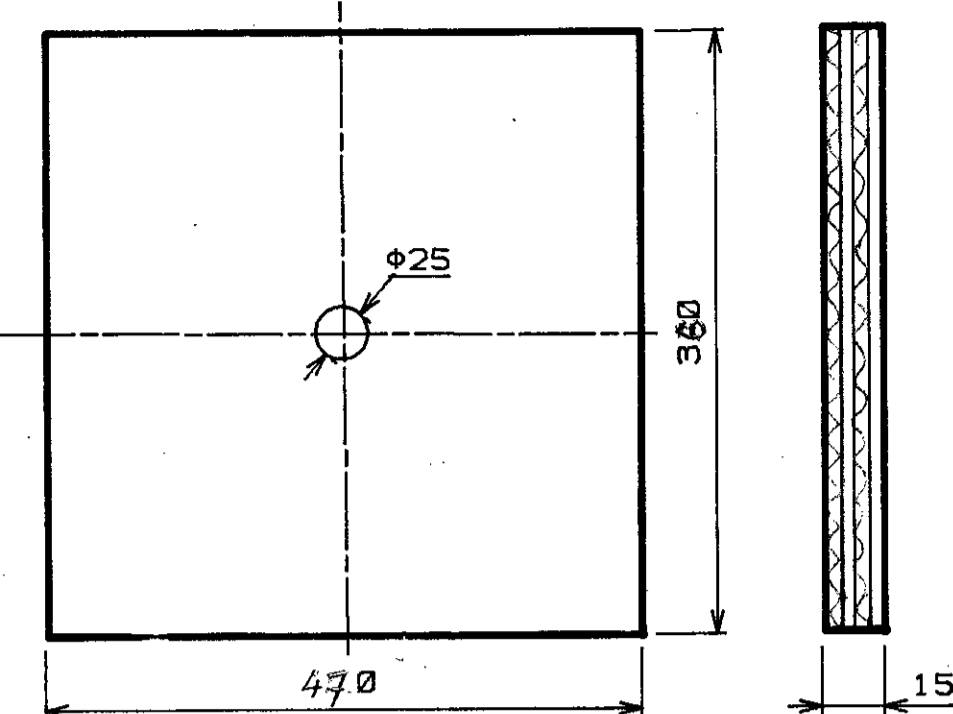
TIED WITH NYLON TAPE
(NOT TO BE SUPPLIED BY
FIBRE BOARD SUPPLIER)

FOLLOWING TO BE PRINTED

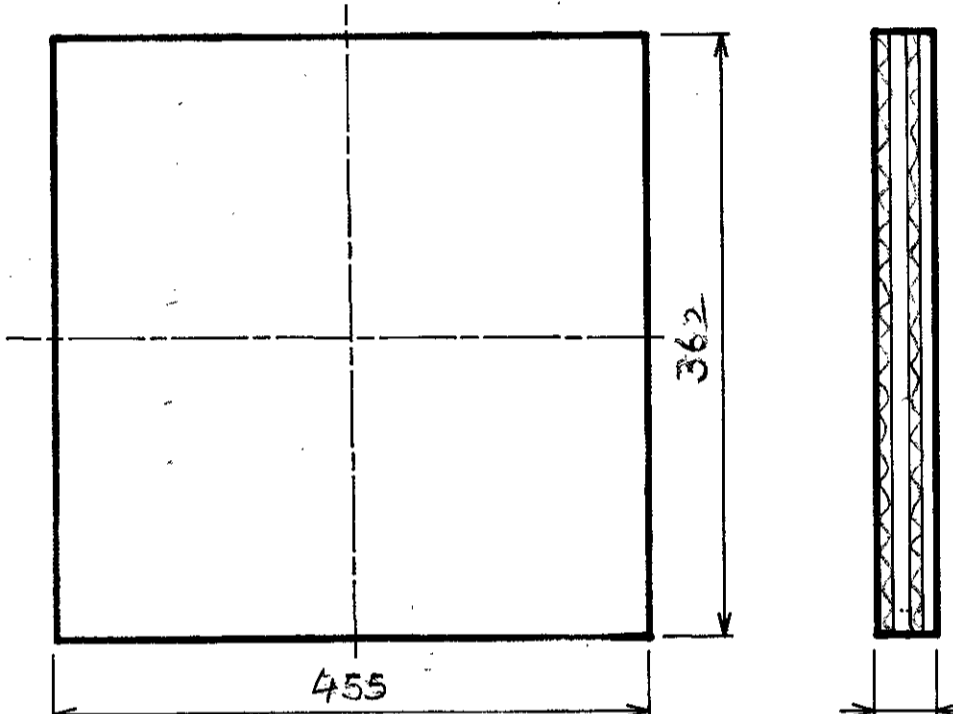
सेवा में,
वरिष्ठ महाप्रबंधक
ऑर्डिनेंस फैक्टरी, स्वमरीया
कम्प्लेक्स - 84 एम.एम. टी.पी.टी
द्वारा
वरिष्ठ महाप्रबंधक
ऑर्डिनेंस फैक्टरी, अम्बाजरी
मात्रा 12 दिनांक

**BOX IN
CLOSED CONDITION**

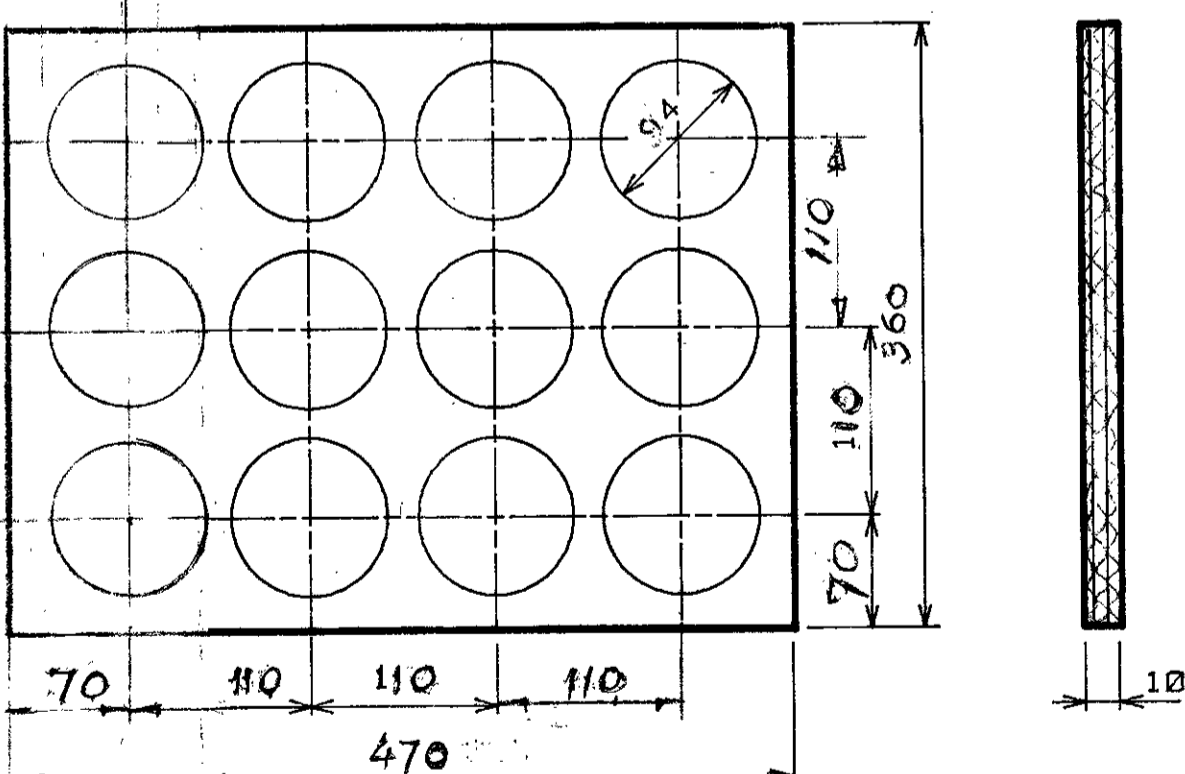
2



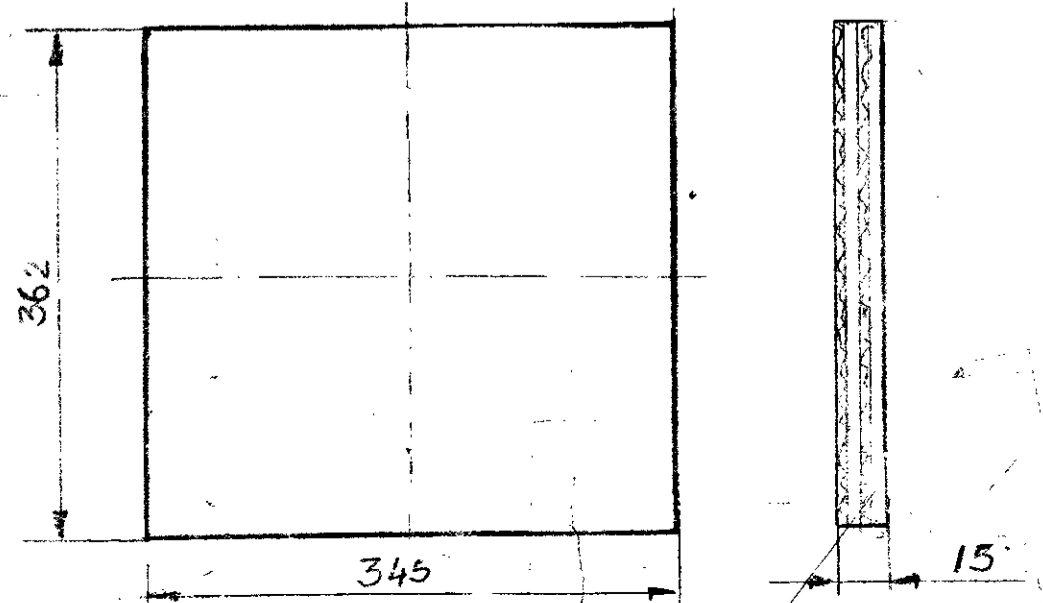
4



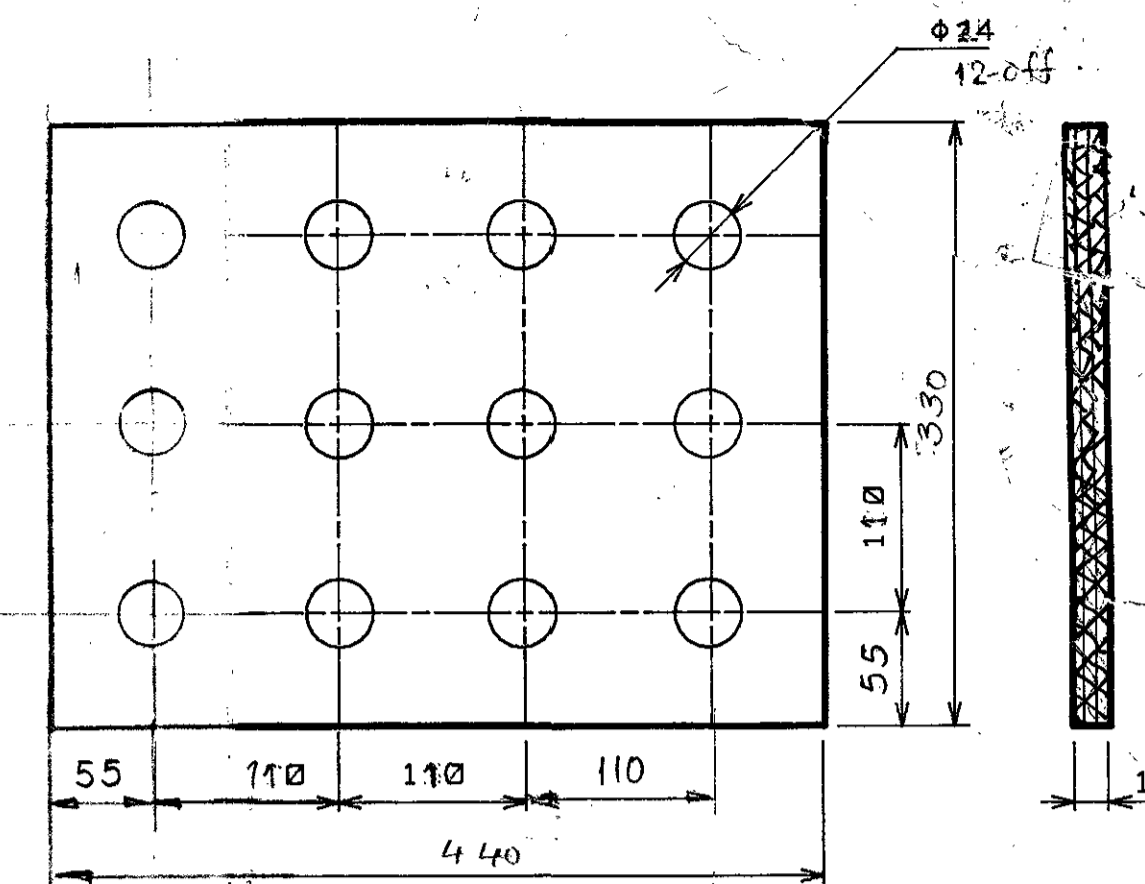
6



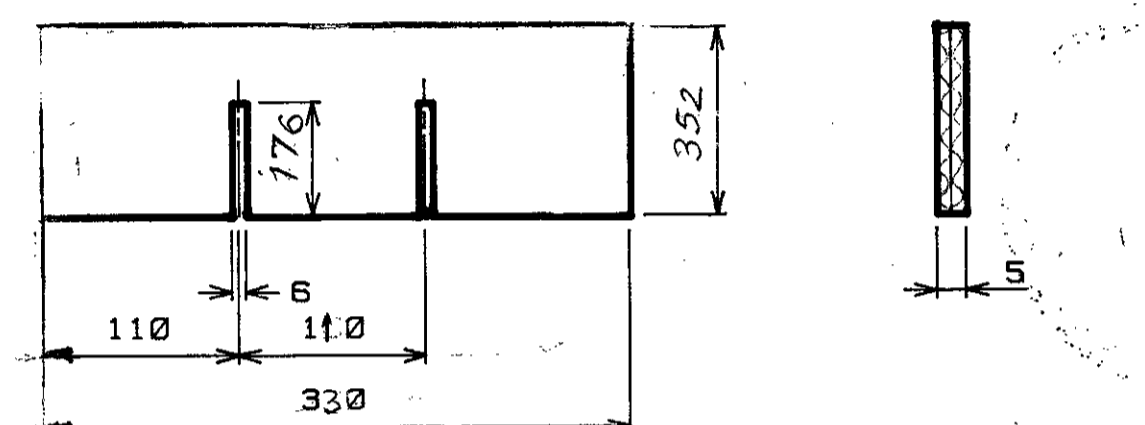
8



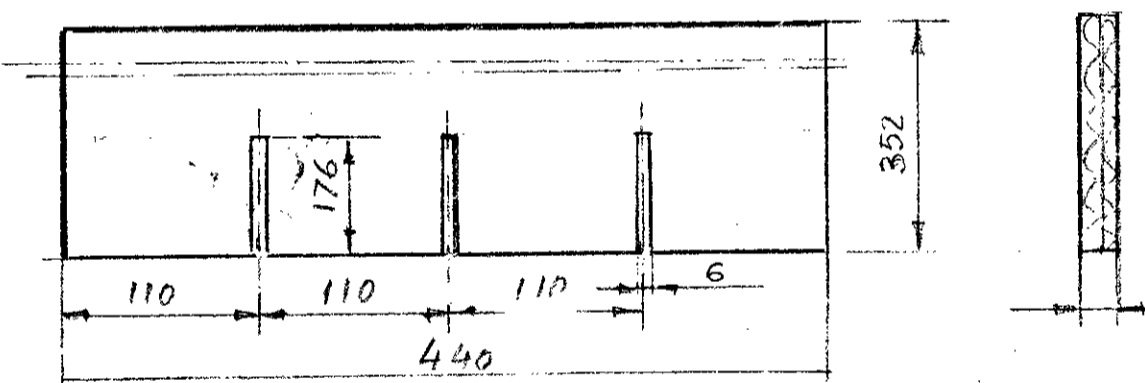
3



5



9



NOTES: - ALL PARAMETERS ARE GOVERNED BY THE SPECN. IS: 2771 (Pt. 1)
LATEST ISSUE & SUBJECT TO PROPER FITMENT OF ALL THE PARTS.

- (1) MATERIAL FOR PART NO. - 1, 5 & 9
150 GSM KRAFT PAPER 5 PLYS DOUBLE WALL CONSTRUCTION
VERTICAL NARROW FLUTING & 5 mm THICK OF MIN. BURSTING STRENGTH - 10kg/cm²
- (2) MATERIAL FOR PART NO. - 2
120 GSM KRAFT PAPER 13 PLYS, SIX WALL, NARROW FLUTING
15 mm THICKNESS & CROSS FLUTED I.E. ALTERNATE FLUTES
SHOULD RUN ACROSS EACH OTHER AS SHOWN IN THE FRONT
VIEWS IN THE PART NO. 2
- (3) MATERIAL FOR PART NO. - 3 & 6
120 GSM KRAFT PAPER 9 PLYS, FOUR WALL, NARROW FLUTING
10 mm THICKNESS CROSS FLUTED AS SHOWN IN THE FRONT VIEWS IN THE PART NO. 2
- (4) MATL. FOR PART NO. 4 & 8. 120 GSM KRAFT PAPER 13 PLYS, 6 WALL VERTICAL NARROW FLUTING 15mm THICK.

PART NO.	DESCRIPTION	NO OFF	MATERIAL	REMARKS
9	PARTITION LONG	2		
8	SIDE SHOCK ABSORBER (SHORT)	2		
7	STAPLING	AS REQD.	STD.	
6	BOTTOM SUPPORT	1	AS ABOVE	
5	PARTITION SHORT	3		
4	SIDE SHOCK ABSORBER (LONG)	2		
3	TOP SUPPORT	1		
2	SHOCK ABSORBER TOP/BOTTOM	2		
1	BOX	1		

REV	DATE	DESCRIPTION	SIGN
28.11.2002	23.11.02	DESIGN REVIEWED	
196 D 2002	07/08/03	D.A. NO	
139/2002	27/11/02	DESIGN REVIEWED	

DIMENSIONS ARE IN mm		MATERIAL - AS STATED ABOVE		ORDNANCE FACTORY AMBAJHARI
3rd ANGLE PROJECTION		NOMENCLATURE		
SCALE - N.T.S		PACKING CARTON		SHEET NO. - 1 NO. OF SHEETS - 1 OPERATION NO.
2002	NAME DATE	FOR		
DRAWN	23.11.02	84mm TPT PROJECTILE		COMPT. TPT ASSY.
TRACED	24-03-02	(12 COMPONENTS)		
REV	DATE	DESCRIPTION	SIGN	STORE 84 mm CG