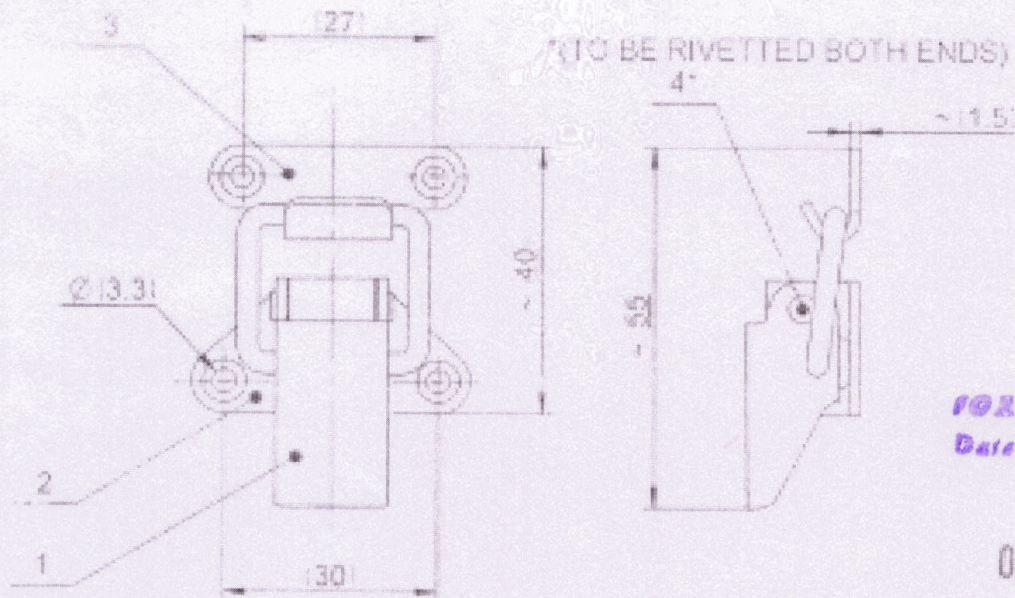


MATERIAL - _____	TREATMENT - _____
SURFACE FINISH - _____	HARDNESS - _____
PROTECTIVE FINISH - _____	



FOR TRADE ONLY
 Date of Issue: *24/7/20*
Revised

09 JUL 2020

व्यापार हेतु
 For Trade only

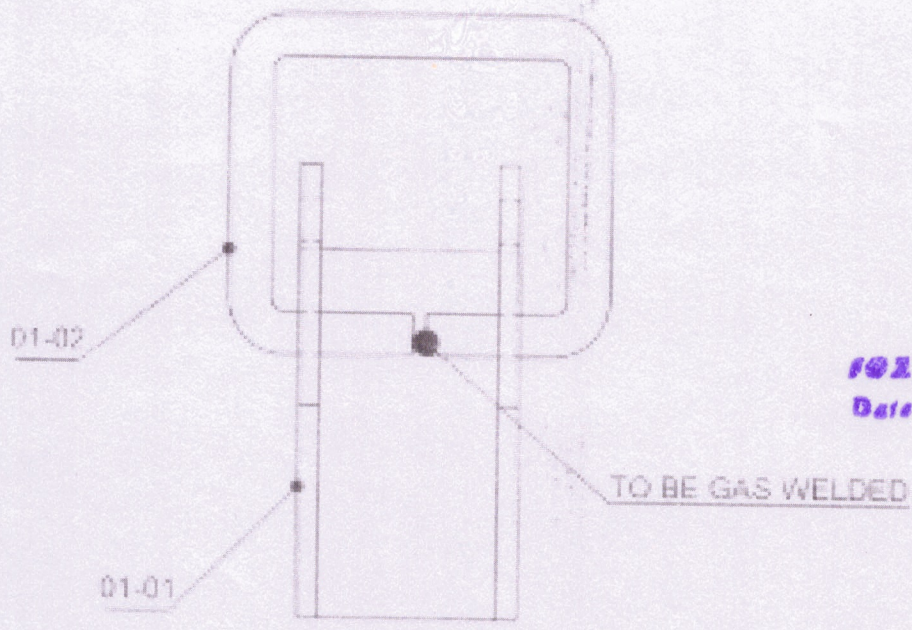
04	PIN	01	_____	_____
03	HOOK	01	_____	_____
02	LATCH	01	_____	_____
01	LEVEL RANGE	01	_____	_____
ITEM	DESCRIPTION	No OF	MATERIAL	REMARKS

LIST OF PARTS

COMP NO	ASSY DRG	OPTO ELECTRONICS FACTORY DEHRADUN		
	PACKING BOX			
2018	AS ST	TITLE	LOCK	
DRAWN	<i>[Signature]</i>		ASSY DRG	
CHKD	<i>[Signature]</i>	REF	ASSY-1 Lr. No. OLF/ASSY-1/7XP/16 Dt. 09/07/2018	
JWM	<i>[Signature]</i>	DRG No	OLF/STD/243	
	NAME	DATE		

DR NO	DATE/SIGN	DESCRIPTION	DIV OFF	NAME	DATE	SCALE - 1:1	SHTS 01	SH No 01
AMENDMENTS								
APPROVED								

MATERIAL - _____	TREATMENT - _____ HARDNESS _____
SURFACE FINISH - _____	PROTECTIVE FINISH - _____



FOR TRADE ONLY
Date of Issue *ref 21/24*
Reju

09 JUL 2020


व्यापार हेतु
For Trade only

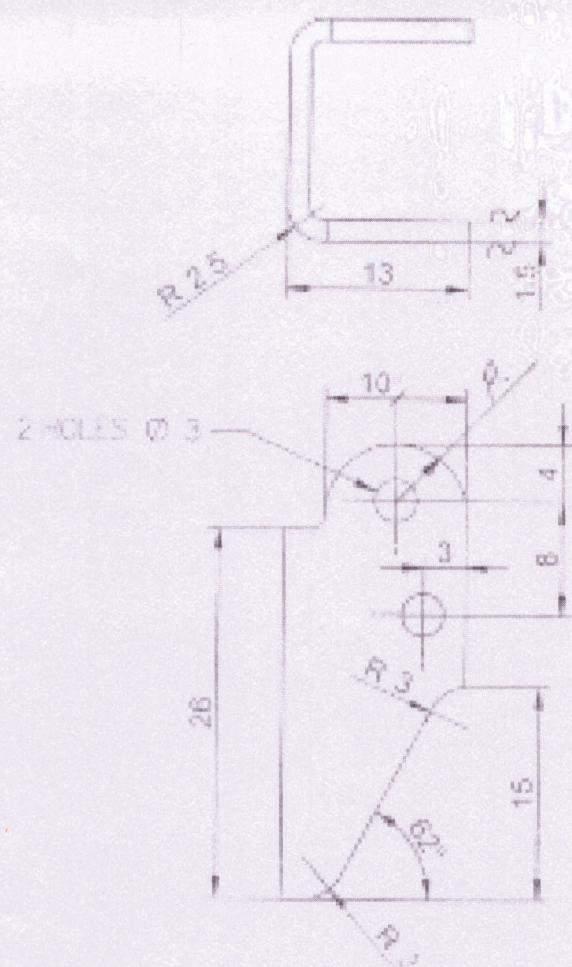
01-02	HINGE	0	_____	_____
01-01	LEVER	0	_____	_____
ITEM	DESCRIPTION	NO OFF	MATERIAL	REMARKS

COMPT NO _____		ASSY DRG _____		PACKING _____		BOX _____		LIST OF PARTS	
2015		AS STATED		TITLE		OPTO ELECTRONICS FACTORY - DEHRADUN			
DRAWN <i>[Signature]</i>		1/4		LEVER WITH HINGE		ITEM NO - 01			
CHD <i>[Signature]</i>		1/5		REF					
JWM <i>[Signature]</i>				DRG No - OLF/STD/243					

SA No.	DATE/SIGN	DESCRIPTION
AMENDMENTS		

DIV OFF	NAME	DATE	BY YEAR	1/15	SCALE - 2:1
APPROVED	<i>[Signature]</i>				SHTE 07 SH NO 02

MATERIAL - STEEL SHEET GR D OF IS 513 - ALT. MATL. STL SHEET GR 20 OF IS 513	TREATMENT HARDNESS -
SURFACE FINISH: 	PROTECTIVE FINISH - RED OXIDE




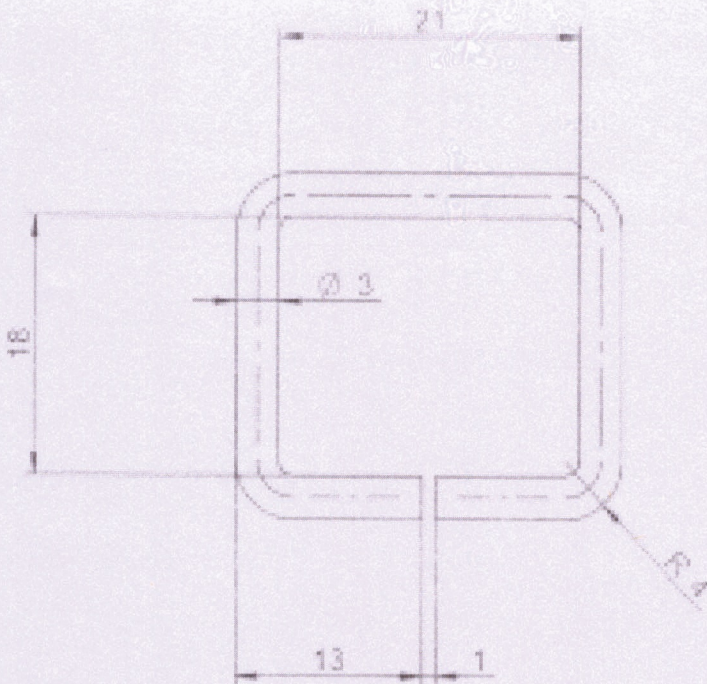
FOR TRADE ONLY
Date of Issue 20/07/20
Rajiv

NOTE
1 UNSPECIFIED TOLERANCES ON EXTERNAL SIZE INTERNAL SIZE & DIMENSIONS ARE ± 0.12 MM & ± 0.22 RESPECTIVELY
2 REMOVE SHARP EDGES

व्यापार हेतु
09 JUL 2020 For Trade only

ITEM	DESCRIPTION	N. OF	MATERIAL	REMARKS
LIST OF PARTS				
COMPT NO	ASSY DRG PACKING BOX TYP	OPTO ELECTRONICS FACTORY DEHRADUN		
2016	AS STATED	TITLE LEVER ITEM NO - 01-01		
DRAWN	<i>[Signature]</i>	1/04	REF	
CHD	<i>[Signature]</i>	4/14	REF	
JWM	<i>[Signature]</i>		REF	
	NAME	DATE	DRG. No - OLF/STD/243	
DA No	DATE/SIGN	DESCRIPTION	DIV OFF	W/YEAR R / 18
AMENDMENTS			APPROVED	SCALE - 2:1 SHTS 07 SH NO 03

MATERIAL - STEEL 20 IS 280 (SOFT DRAWN)	TREATMENT HARDNESS
SURFACE FINISH: 	PROTECTIVE FINISH - RED OXIDE



FOR TRADE ONLY
Date of Issue: 22/07/21
Rajiv

09 JUL 2020
20:00:00
For Trade only

NOTE -
1 UNSPECIFIED TOLERANCES ON EXTERNAL SIZE INTERNAL SIZE & OTHERS ARE H12 H12 & D11/12 RESPECTIVELY

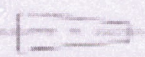

ITEM	DESCRIPTION	NO OFF	MATERIAL	REMARKS
------	-------------	--------	----------	---------

LIST OF PARTS

COMP NO	ASSY ORG	OPTO ELECTRONICS FACTORY		
	PACKING BOX TYP	DEHRADUN		
DATE	AS STATED	TITLE		
22/07/21	1/04	HINGE	ITEM NO - 01-02	
CHK	4/4	REF	M	
APPV	22/07/21	DRG No - OLF/STD/243		
	NAME	DATE		
		1/04		

DA No	DATE/SIGN	DESCRIPTION
AMENDMENTS		

DIV OFF	NAME	DATE
		1/04
APPROVED		

		SCALE 1:1
		SHTS 01 SH No 01