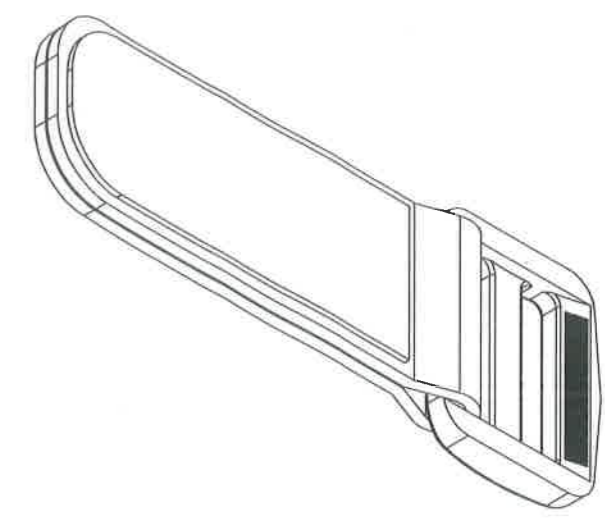
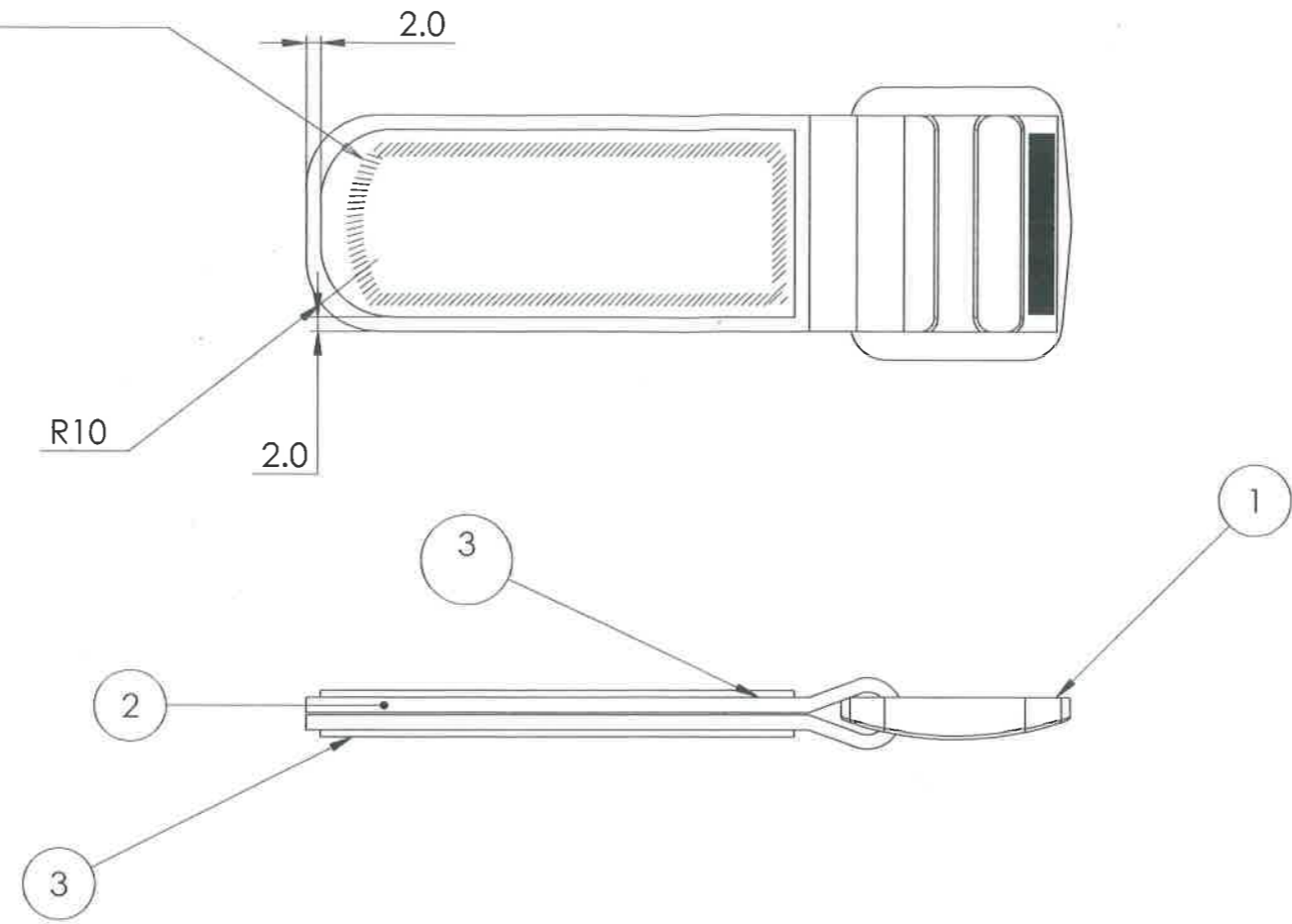


DRG NO 0204 04 03 00 00 001 00DA
 IC SS S AA A C SST
 GEN.TOL. ±0.2
 DRAWING CONVENTION CONFIRM TO INDIAN STDS.
 DIMN.IN mm UNLESS OTHERWISE STATED

CONTROL COPY No.

TO BE STITCHED AS SHOWN WITH STEEL GREY
 (COLOUR NO 698 TO IS: 5-2007) NYLON
 THREAD TO IS:4229
 40 STICHES PER 100 LENGTH



ITEM NO	NOMENCLATURE	DRAWING NO	QTY.
1	SLIDING BUCKLE	0204-04-03-00-00-001-00DA	1
2	STEEL GREY (COLOUR NO. 698 TO IS: 5-2007) NYLON WEBBING 30.0 WIDTH X 2.0 THICK X 170.0 LENGTH	IS: 4727-1968-TYPE- 2	1
3	OLIVE GREEN (COLOUR NO. 220 TO IS:5-2007) NYLON WEBBING 26.0 WIDTH X 1.0 THICK X 65.0 LENGTH	IS: 4727-1968-TYPE- 2	2

R NO	DATE	AUTHORITY	BRIEF RECORD	ZONE	CD	GD
DRM	SD	CHD	MATERIAL	SIGN		
APPD	DATE 26/10/15	FOR DIRECTOR	PROTECTIVE FINISH			
SEALED	DATE	SCALE 1:1	EST MASS	TITLE		
DESIGN	AUTHORITY	ARDE	STRAP PULLING ASSEMBLY			
DRG NO	0204	04	03	01	03	000000DA
PART NO	DS CAT NO		AHSP			