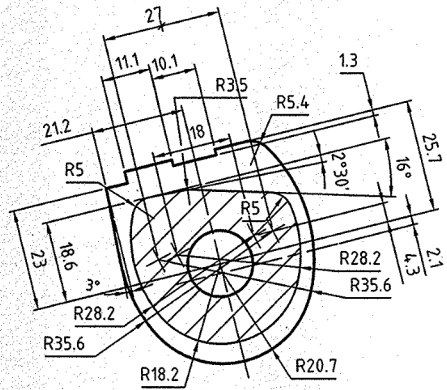


DRG. NO. 29P 0038*2



SECTION - 'P-P'

DIMENSIONS ARE IN mm.

PART NO.	DESCRIPTIONS	NO OFF	MATERIAL	TREATMENT	REMARKS
	SIGNATURE & DATE.	SUB: STOCK BUTT			SCALE NTS
	TRACED	FOR: 0.315" SPORTING RIFLE			STORE DRG. NO.
	DRAWN <i>[Signature]</i>	OF:			---
	CHECKED	DES. REF. NO.			OPERATION NO.
OIC/D&DO <i>[Signature]</i>	DRG. No.: 29P 0038*2			---	
OFFICER/PRODN.	ORDNANCE FACTORY TIRUCHIRAPPALLI-16.			SHEETS: 02	
OFFICER/D&DO				SHEET No.: 02	
AMENDMENTS	SIG. & DATE	APPROVED ON. 10/5/2007			

DA. NO.
8996/14/DDO/07
10-08-07

AMENDMENTS