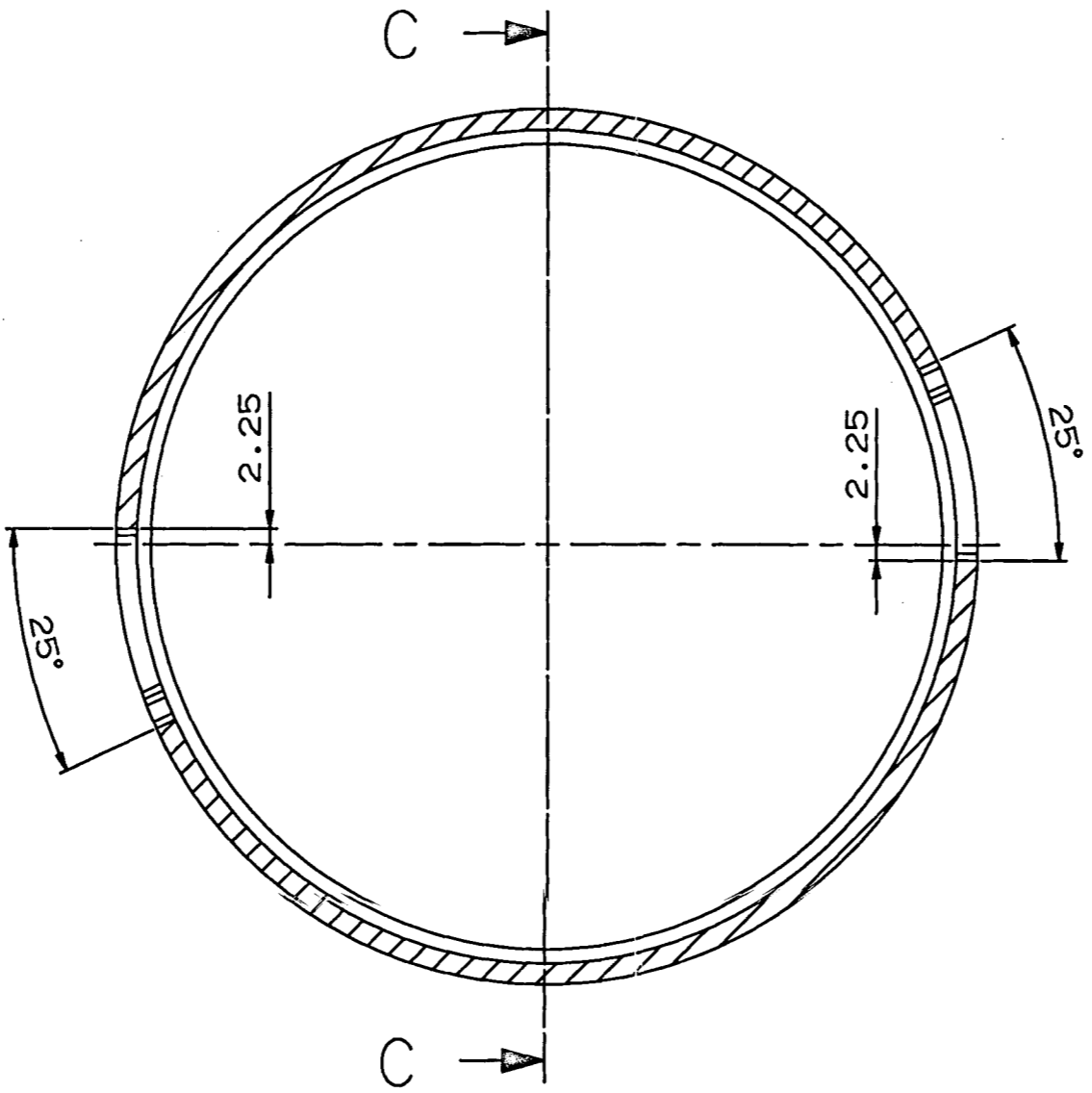
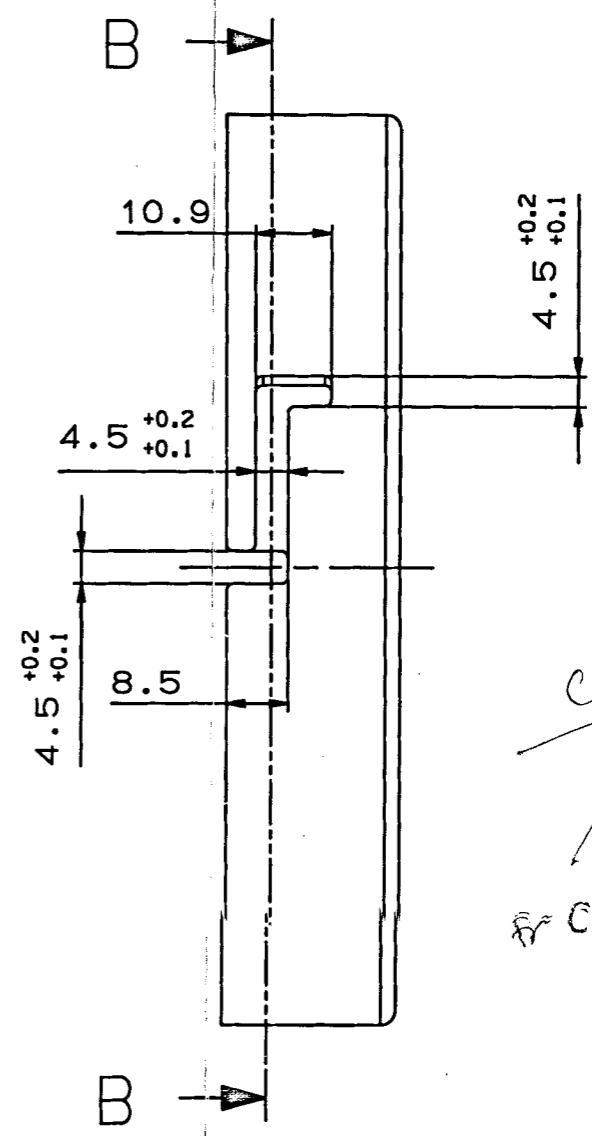


SECTION C-C

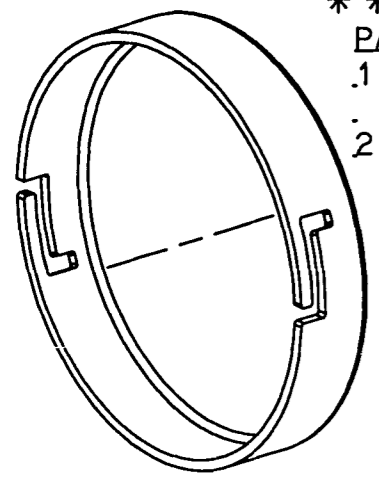


SECTION B-B



B

CTC
 20/5/20
 CINA (PUNE)



**
 PAINTING
 1. PRIMER RED OXIDE TO STANDARD IS: ^T TO BE APPLIED
 BY FIRM WHO IS SUPPLYING STORE TO MPF AS PER DW-1134
 2. PAINTING TO BE DONE AT MPF OR DURING ASSY AS PER DW-1134.

12744

CTC
 20/5/20

1	TUBE COVER-LRMR		AISI 316	**		
No. OFF	DESCRIPTION	PART No.	MATERIAL	STANDARD	DIMENSIONS	REMARKS
GENERAL TOLERANCE						
LINEAR DIMENSIONS						
0-8	±0.1					
8-30	±0.2					
30-120	±0.3					
120-315	±0.5					
315-1000	±0.8					
1000-2000	±1.2					
ANGULAR DIMENSION						
1-10	±1°					
10-50	±30'					
50-100	±20'					
>100	±10'					
VALUE IN "UM"						
~	>25					
▽	8-25					
▽▽	1.8-8					
▽▽▽	0.025-1.8					
▽▽▽▽	<0.025					
TUBE COVER-LRMR			SCALE		DRAWN 25.09.18 VIJAY	
LAUNCHER ASSY.			1:1		CHECKED " JN	
LR-MR LAUNCHER					APPROVED	
KAVACH MOD-II			REPLACED BY		REVISION	
MACHINE TOOL PROTOTYPE FACTORY, AMBERNATH			REPLACED FOR		IV	
Design Office			DRAWING No. DW-1108-1021-13			

THE COPYRIGHT OF THESE DRAWINGS AND ATTACHMENTS TO THE INDIAN ORDNANCE FACORIES, MINISTRY OF DEFENCE, GOVT. OF INDIA THEY SHOULD NOT BE COPIED, RE-PRODUCED IN ANY WAY OR THE INFORMATION CONTAINED THEREIN MADE AVAILABLE TO UNAUTHORISED PERSONS WITHOUT THE WRITTEN PERMISSION OF THE DIRECTOR OF ORDNANCE FACORIES.

NOMINAL SIZE & FIT DEVIATION

Drawing Approved as per MAIL letter 91J 2063 dt 20 May 20