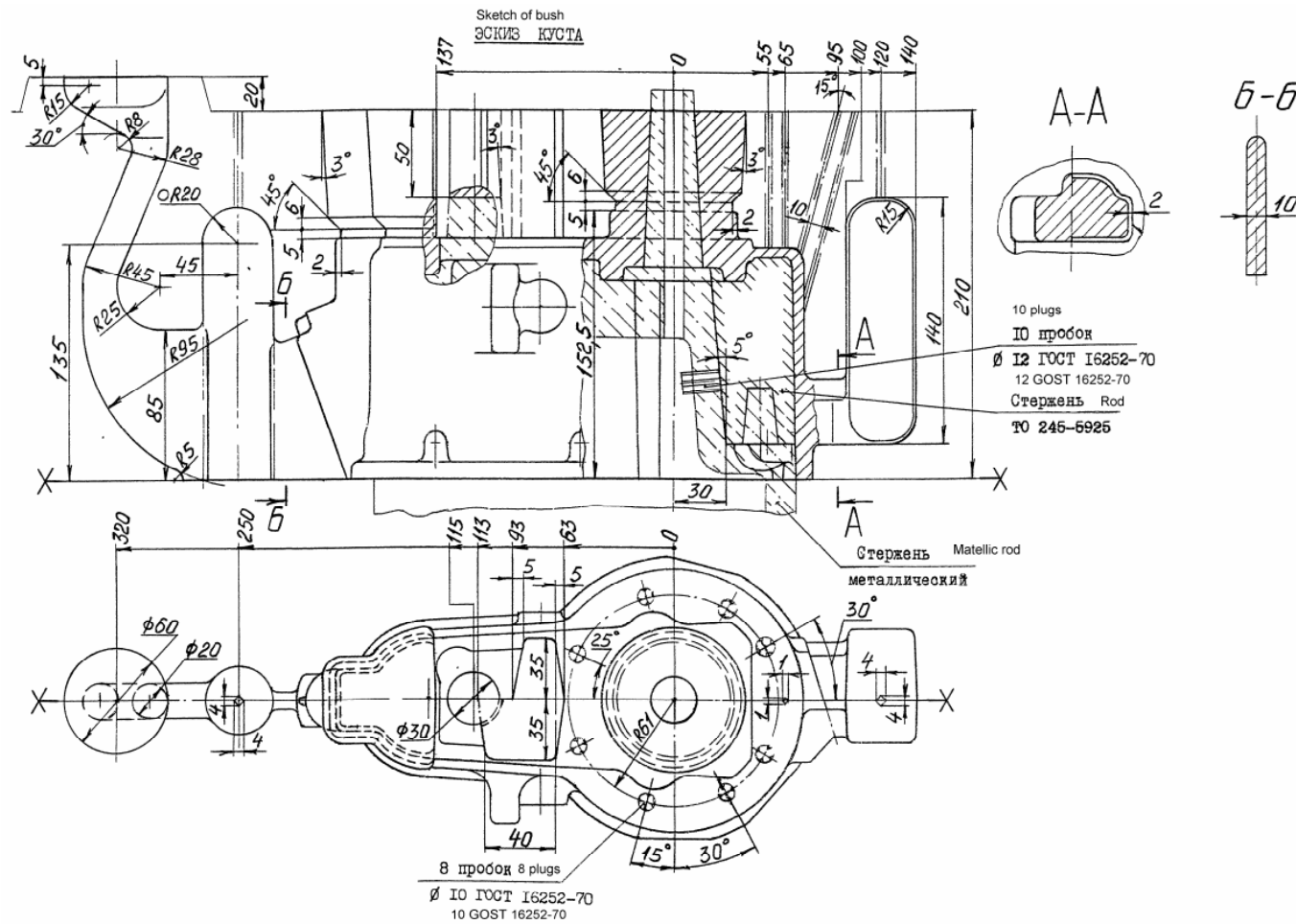


315-619-19

00537

Regulator body



1. Alluminium casting in casting mold.
2. Draft up to 2°, radii up to 5 mm.
3. Shrinkage 1%.