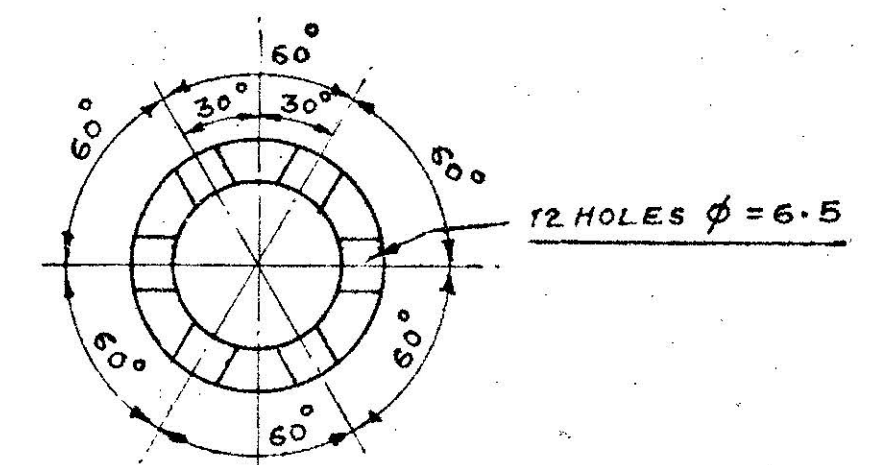
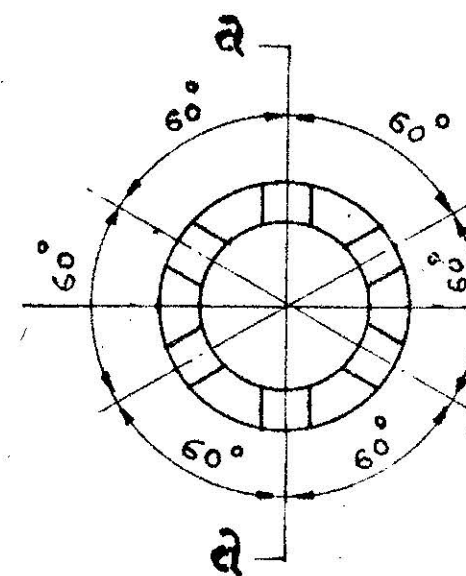
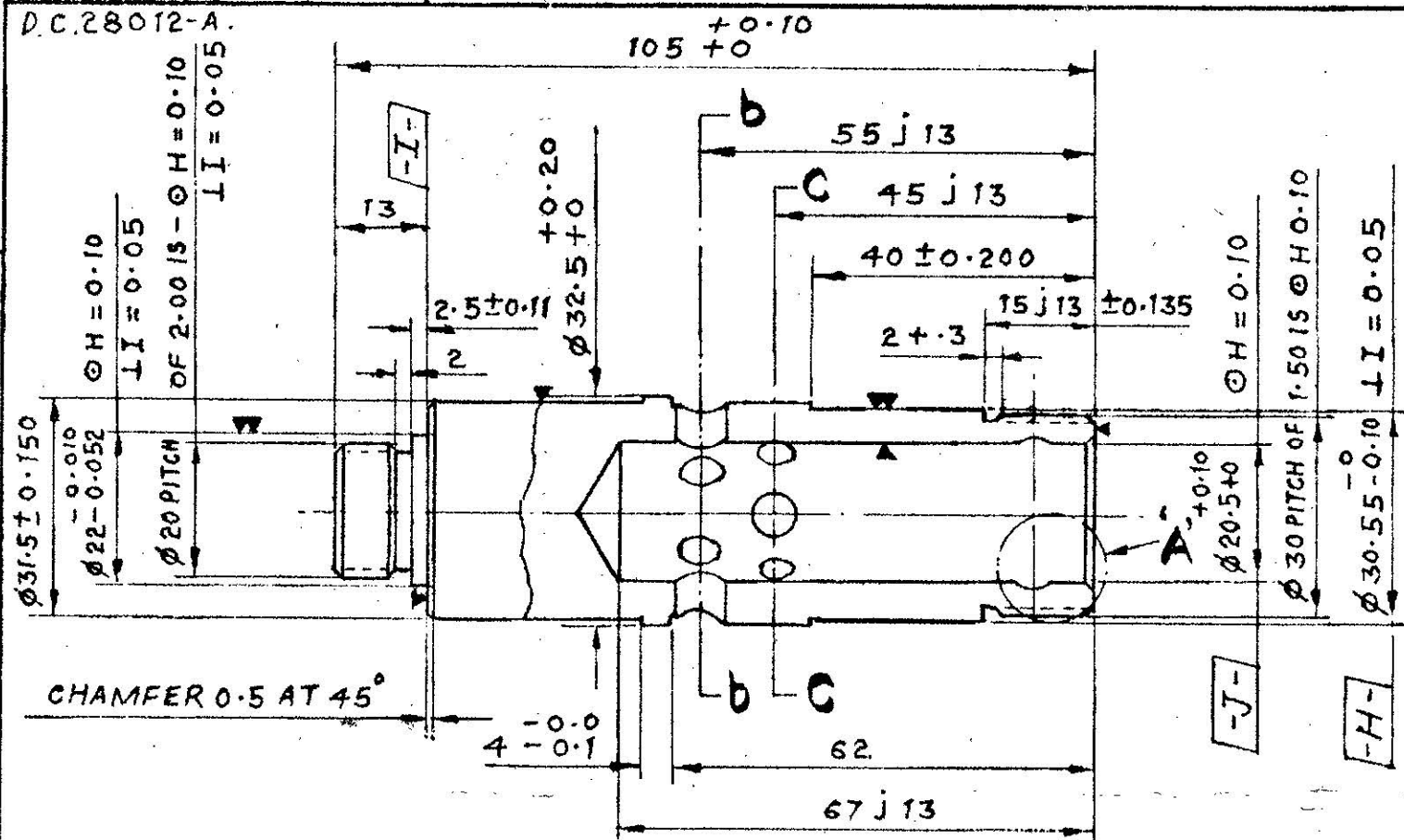


ITV 30  
PART No

DRG. CONVENTIONS CONFORM TO IS SPECIFICATIONS.  
DIMENSIONS ARE IN MM

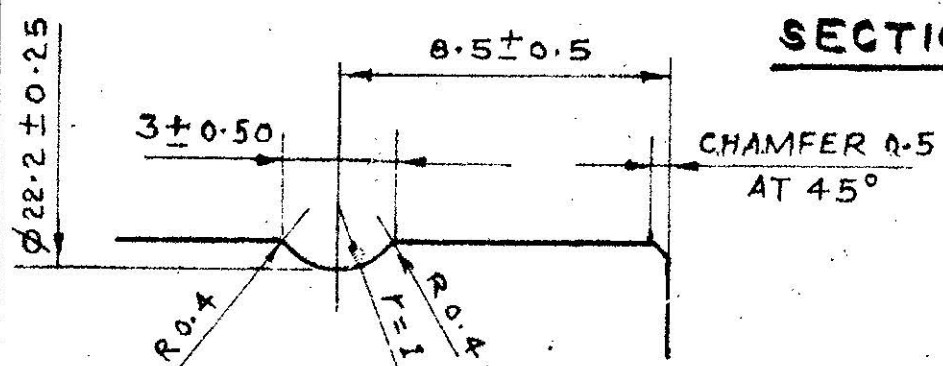
TOLERANCE UNLESS OTHERWISE STATED =  $\pm 0.1$



SECTION bb

SECTION cc

SECTION aa



DETAIL OF REAR GROOVE AT 'A'

SCALE: - 5/1

**PROTECTIVE FINISH:-**

ANODISING TO SPEC 15:1868:1982, GRADE AC 10  
(ANODISING BY H 2 50 4 PROCESS FOLLOWED BY  
DI-CHROMATE SEALING) RATING No 10 AS PER  
SPEC 15:6009:1970 WHEN TESTED AS PER  
SPEC 15:5528 - 1969 FOR 48 HOURS.

**MATERIAL:-**

BS: 1474:1987 (AMD 5879, FEB 88 HE 15TF  
OR  
15:733:1983 (THIRD REVISION) ALLOY  
DESIGNATION 24345 WP.  
ALTERNATE MATERIAL:-  
AL ALLOY RDE-40 WITH MINIMUM MECHANICAL  
PROPERTIES AS UNDER:  
0.2% PS-435 MPa, UTS-480 MPa, % EL-7.

| R.No | DATE    | AUTHORITY | REVISION  | ZONE    | AHSP | D.O | SIG. |
|------|---------|-----------|---|---------|------|-----|------|
|      | 9.10.13 | 37344-A   | ALTL. MATL. ADDED.  | C-1,2,3 |      |     |      |
|      | 14-8-03 |           | SCANNED WITHOUT CHANGE.   |         |      |     |      |
|      | 5-8-93  |           | RETRACED WITHOUT CHANGE.  |         |      |     |      |
|      |         |           | PREVIOUS D.C. Nos 28012-A, 28046-A,<br>28317-A, 28726-A, 28760-A, 28818-A,<br>30201-A, 31149-A, 31521-A, 31692-A,<br>33560-A & 35508-A. |         |      |     |      |

|                               |                         |
|-------------------------------|-------------------------|
| DRN. G.M.T. CHD.              | TRD. RDT COMP.          |
| SDI-<br>C.D. MAN              | SDI-<br>O/C.D.D.        |
| APPD.                         | SDI-<br>FOR C.Q.A. (A). |
| MATERIAL:- AS ABOVE           |                         |
| PROTECTIVE FINISH:- AS ABOVE. |                         |

|                               |
|-------------------------------|
| ASSY. DRG. ITV 30             |
| SCALE - 1/1                   |
| EST MASS - 135g               |
| GAUGE SCHD:- I 1672           |
| DATE:- 29-10-65               |
| DESIGNER'S REF<br>CIA/AMN/793 |

DRG. SEALED:- 9-3-66 (PROV.)

**CONTAINER, CARTRIDGE**

|                               |
|-------------------------------|
| PART No. ITV 30               |
| D.S. CAT No<br>NOT APPLICABLE |
| AHSP:- C.Q.A. (A) KIRKEE      |