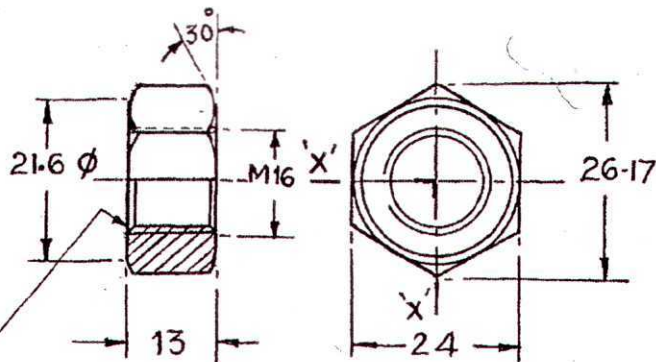


AMENDMENTS	
D.C (I)	NATURE
ES/14/14	DRAWING
DT.19/11/71	PROVISIONALLY SEALED.
	550 II



ON EITHER SIDE THE
NUTS ARE COUNTERSUNK
120° DOWN TO THREAD
DIAMETER.

SECTION AT 'X-X'

HEX. NUT M-16

DIN-934 mg

SCALE:- 1:1 SIZE

MATERIAL:

GERMAN MTL. & SPECIFICATION	ALTERNATIVE MTL. & SPECIFICATION	REMARKS
5.5 DIN 267	B5 970 EN 18 T. OR 19 T. OR 8 G.	

NOTE:

ALL DIMENSIONS ARE IN mm.
GALVANISED & CHROMATIZED TO 12-20 μ.

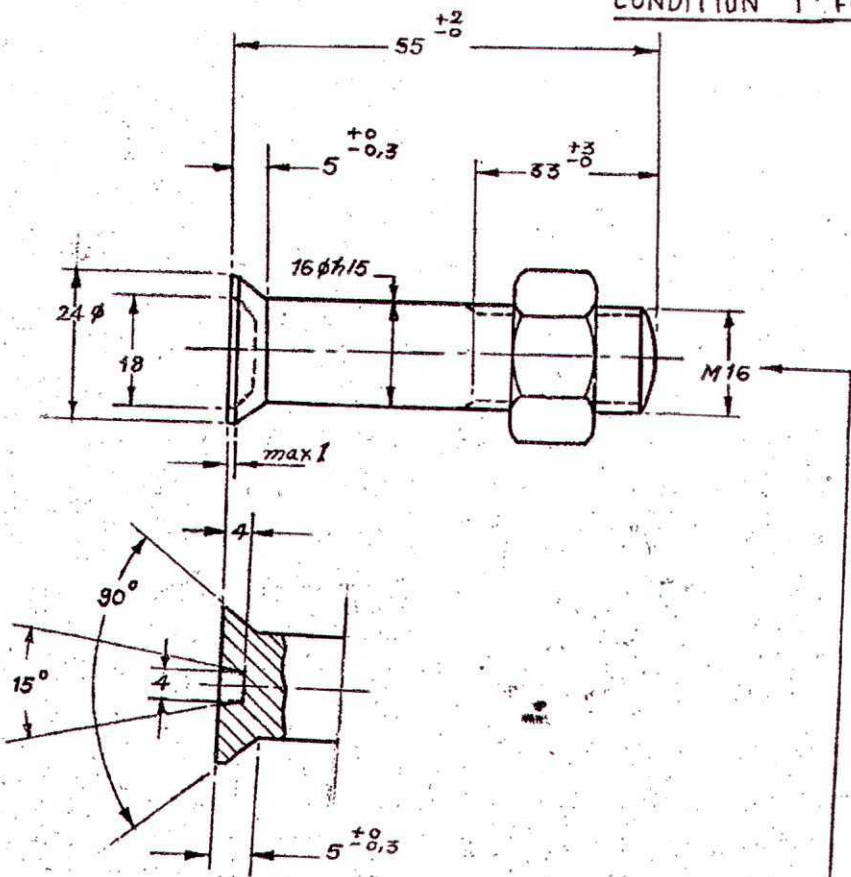
डिजाइन किया गया है।
इस नुस्खे को धीरे-धीरे/कोई अन्य व्यक्ति
प्रकाशित नहीं करे।
दिनांक: 05-12-14
Date 05-12-14
JVM/CDD

PERTAINS TO CAT.NO. 1181, 1182 & 1194.
ITEM NO.- 28, 29 & 25 RESPECTIVELY.

DRN. <i>Chhauhan</i>	C.I.E. DRG. NO.
CKD. <i>Kalyan</i>	15K-0349
PSD. <i>...</i>	
AND	

DATE: 11/11/71

③ ALTERNATIVE MATL:- 530 M 40 OF BS: 970 PT-I-1983. CONDITION 'T' OR BS: 970 PT-I-1983 709 M 40 CONDITION 'T' FOR BOLT.



Countersunk bolt M 16x55m similar to DIN 7969 Item 28	Material: 8 G
with hex. nut M 16 DIN 934 mg	" : 55
Senkschraube M 16 x 55 m ähnlich DIN 7969-Pos. 28	Material: 8 G
mit Sechskantmutter M 16 DIN 934 mg.	" : 55

ohne Kopfaufdruck
 Alle Teile galvanisch verzinkt und chromatiert auf 12-20 µ nach DIN 50961
 Without firm's imprint
 All parts galvanized and chromatised to 12-20 µ according to DIN 50961.

ALTERNATIVE
 ① MATL:- FOR BOLT IS:1570 GRADE 40 Cr1 Mo28
 FOR NUT REFER DRG ISK-0349

②* HARDENED & TEMPERED

Material 8 G	Scale Maßstab	Countersunk bolt	Cat. No. Katalog Nr.
55	1:1	Senkschraube	1181

AMENDMENTS	
D.C. (I)	NATURE
BS/14/14 DT. 19-1-71	DRAWING PROVISIONAL SEALED.
ES/14/224 DT. 3-10-84	① ALTERNATIVE MATL ADDED No. ADVANCED ACIE
ES/14/232 DT. 18-2-86	② WORD HARD & TEMPERED A DRG No. ADVANC TO/B ACIE
ES/14/298 DT. 20-1-94	③ ALTERNATIVE MATL ADDE DRG No. ADVAN TO/C. ACRAEC

A-126 ③ F-2 TCD. BY: [Signature]

COMP. BY: [Signature]

Copyright ©
 यह प्रति जो भी है/ओ इसका
 इसकी गई है।
 दिनांक: [Blank]
 JNM/CDO