

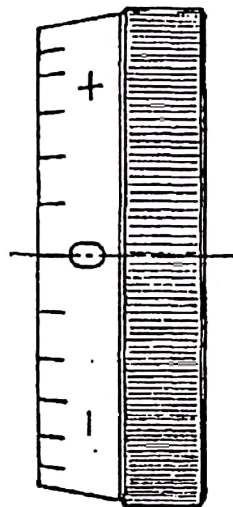
ORDNANCE FACTORY, DEHRADUN

BINOCULAR 8x30 R

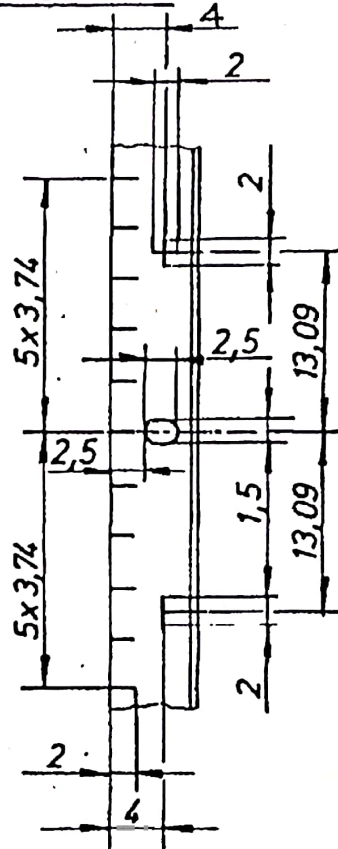
EYE PIECE ASSY, OPTICAL INSTRUMENT

DRG. NO
CQA(I) 789/17

FIRST ANGLE PROJECTION



PHASE OUT



Date of Issue 20/01/2020
Raj

CHARACTERS AND LINES EMBOSSED
SIGNAL WHITE
LINE SIZE 0.2
DEPTH OF EMBOSSING 0.1 mm.

TEMPERATURE COMPATIBILITY
OF THE COMPONENTS.
(80°±3° & -40±3°)

ON THIS USE BLANK MCT-2933/1

		DT.- 12-06-2010	SCALE - NTS
MADE BY: P.C.SINGH		MATL.	TREAT.
TR-		-	-
CH- <i>ok</i>		SHEETS. 1	SHT. NO. 1
DA-01/15 dt-02/01/15	APPROVED	DRAWING NO. MCT-2932/1	
AMENDMENTS	<i>ok</i>		
OFD/DO/002	JWM/D.O. <i>ok</i> WM/P		

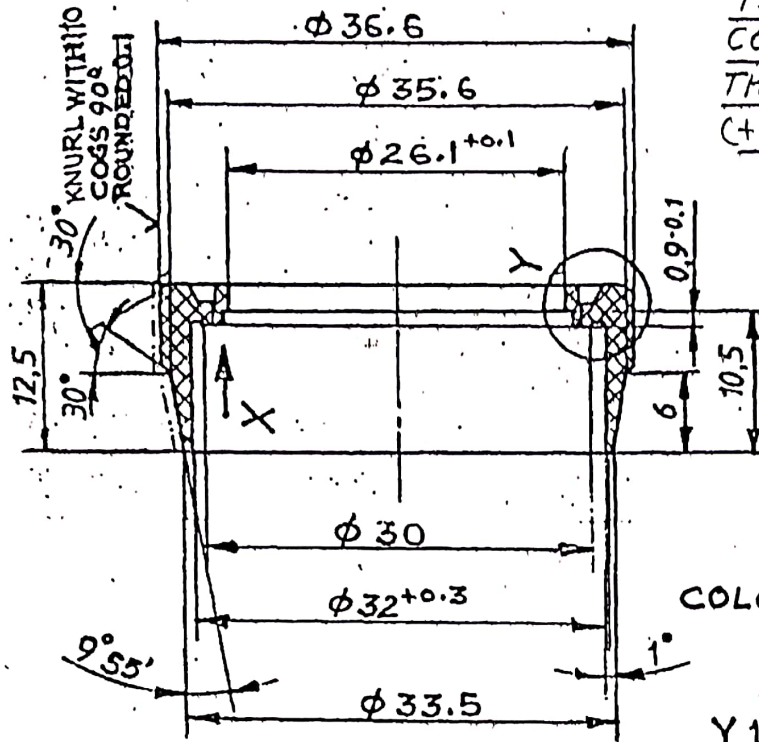
ORDNANCE FACTORY, DEHRADUN

BINOCULAR 8x30 R

EYE PIECE ASSY, OPTICAL INSTRUMENT

DRG. NO
CQA(II) 789/18

FIRST ANGLE PROJECTION

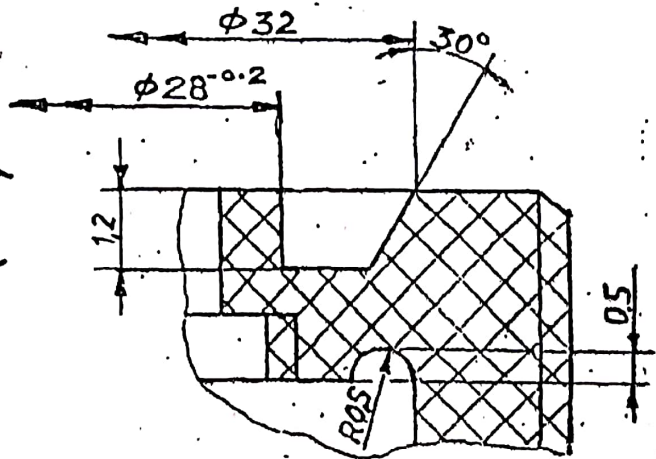
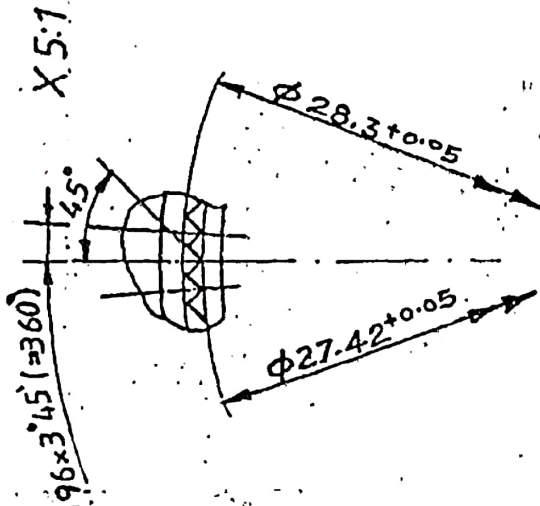


TEMPERATURE COMPATIBILITY OF THE COMPONENTS.
($+80^{\circ} \pm 3^{\circ}$ & $-40 \pm 3^{\circ}$)

MATL. & SPEN:- PC
COLOUR: RAL 6014

Y 10:1

FOR TRADE ONLY
Date of Issue 22/01/20



--- VISIBLE SURFACE MATTFINISHED

		DT. - 12-06-2010	SCALE - NTS
MADE BY: P.C.SINGH		MATL.	TREAT.
TR-		AS ABOVE	AS ABOVE
CH- <i>PC</i>		SHEETS. 4	SHT. NO. 1
DA-01/15 dt 02/01/15	APPROVED		DRAWING NO.
AMENDMENTS	<i>PC</i> JWM/D.O.	<i>P. Singh</i> WM/P	MCT-2933/1
OFD/DO/002			