

SCHEDULE OF COMPONENTS

SL NO	DESCRIPTION	DRAWING NO.	QTY	REMARK
01	PACKING BOX FOR - MARKERMAN OVER BOARD	NAI (P) 514/1 (P)	01	
02	SUPPORT - I	NAI (P) 514/2 (P)	01	
03	SUPPORT - II	NAI (P) 514/3 (P)	01	
04	TOP COVER	NAI (P) 514/4 (P)	01	
05	MARKERMAN OVER BOARD ASSY (FILLED)	NAI (P) 510 (P)	02	

NOTE :-
TOP COVER (SL NO 04) TO BE SECURED BY SUITABLE NAILS.

R. NO	DATE	ZONE	BRIEF RECORD	AUTHORITY	INITIALS
	25-06-09		PROVISIONALLY SEALED BY DRN	DG NAI	305-1
	29-5-09		APPROVED		

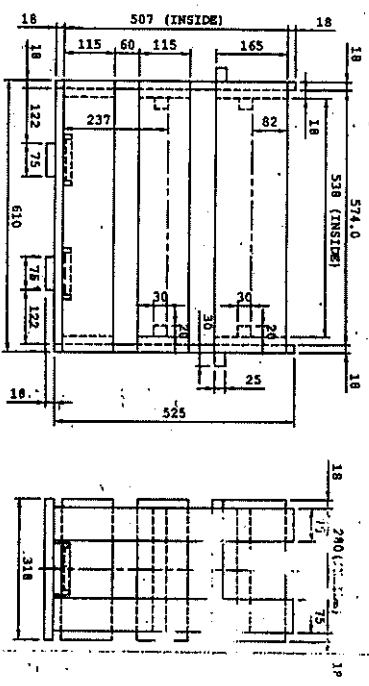
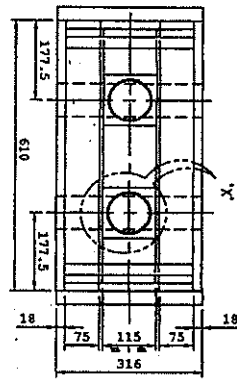
SCALE: NTS	TOL: -	DIMENSIONS ARE IN MM
DRN	DRN	DRN
PASSED :	APPROVED	CHD
MATL:	GEN SPEC : NA SPEC A 31B	CHD
MATL SPEC :	(REAFFIRMED 2008)	
PROTECTIVE FINISH :	STORE REF NO. :	

PACKING OF -
MARKER MAN OVER BOARD
WITH FITMENTS

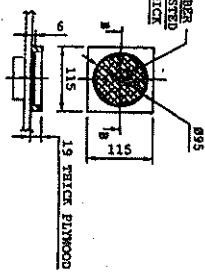
DRG No. NAI (P) 514 (PROVISIONAL)

NAVAL ARMAMENT INSPECTORATE PUNE

(38)



SOFT RUBBER
TO BE PASTED
5/8\"



DETAIL 'A' 'X'

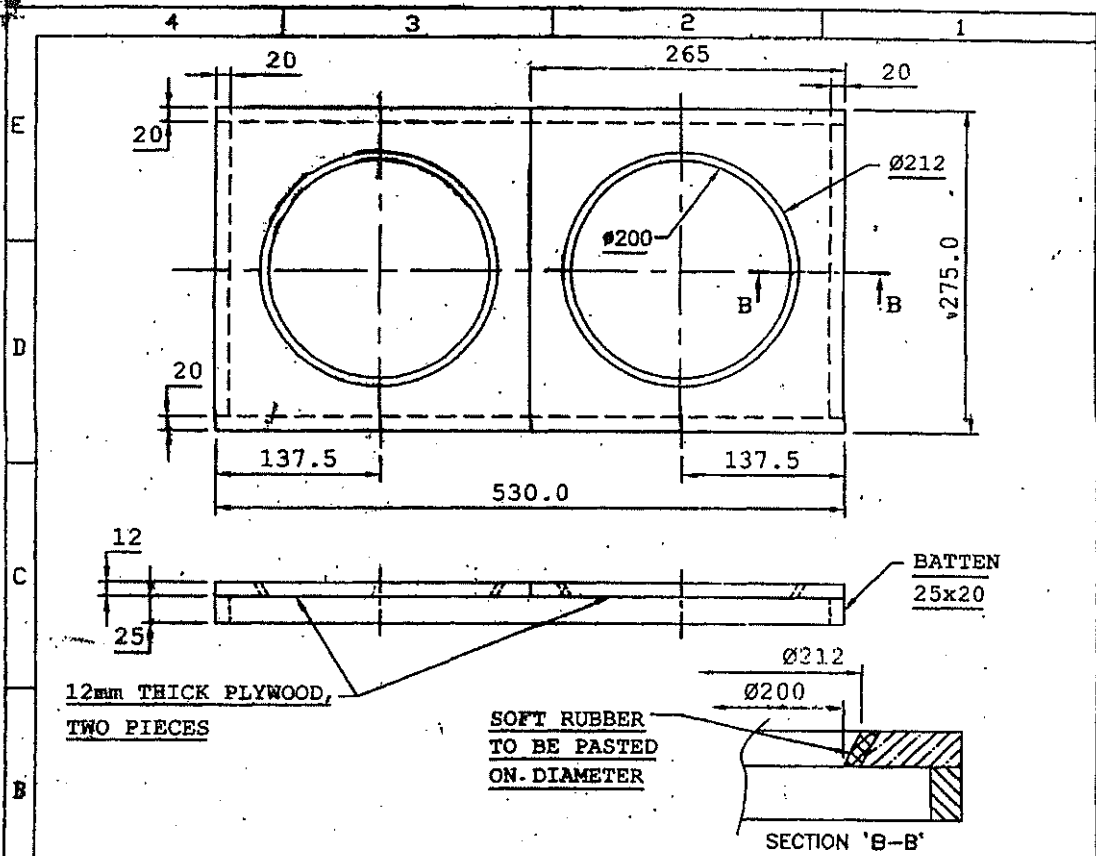
1. NOTE: DIMENSIONS CORRECT TO APPENDIX 'A' OF SPECIFICATION (NO. 88316)
2. NAILS TO BE SUITABLY ROBOT PROOF. PROS OF NAILS TO BE FINISH CLINCHED.
3. EACH PATTERN OF BOX SK. NEED BE SUITABLE NAILS.

SCALE: NETS		DIMENSIONS ARE IN MM	
OGN	DM	APPROVED	ASSTY DNG NO.
PUSHED :		VAL (B) 514 (REV)	
DATE: SEE DNG		NVAL ARMAMENT	
MATERIAL SPEC: SEE DNG		INSPECTORATE	
PROTECTIVE FINISH :		PURE	
STORER REF NO.:		DNG NO.	
PACKING BOX FOR-		NAI (B) 514/1	
MARKER MAN OVER BOARD		(PROTECTIVE)	

N. No.	DATE	ZONE	PROVISIONALLY ISSUED BY	APPROVED	AUTHORITY	INITIALS
25-6-09	29-5-09				IC NAT	ASSTY

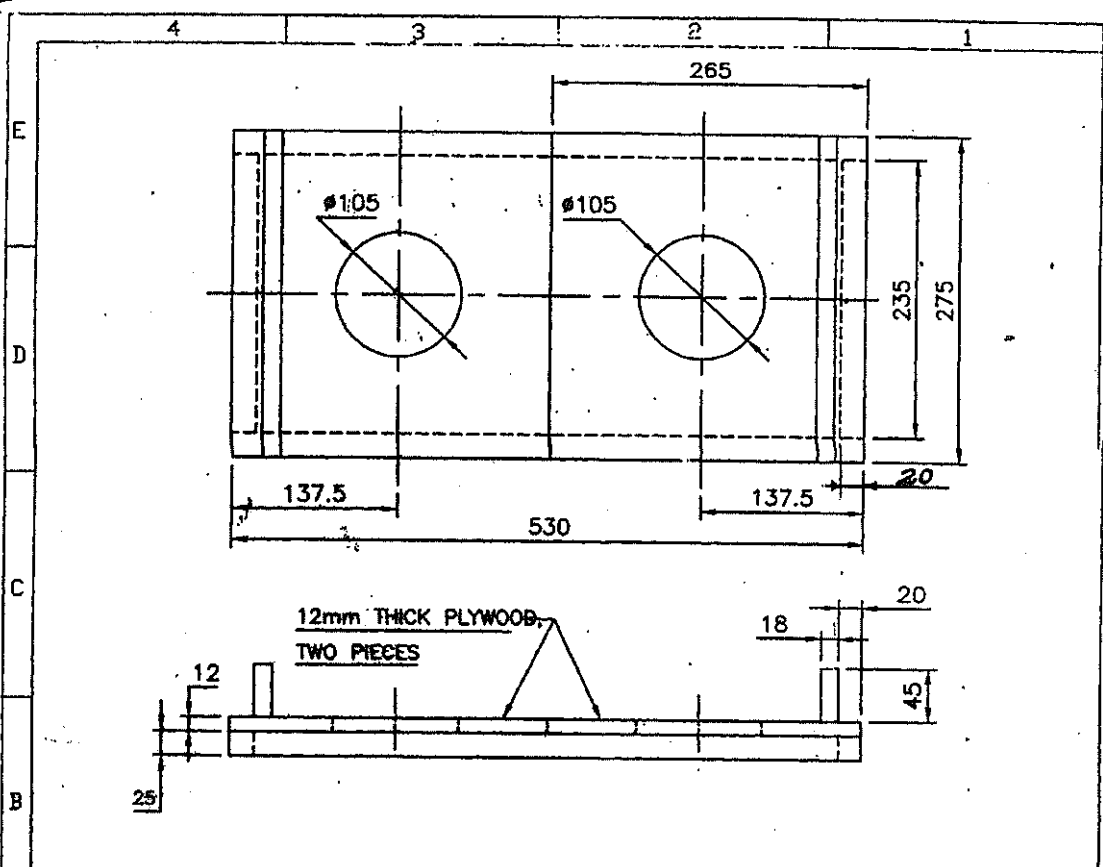
BASED ON : PAPER PAN OVER BOARD
BASED ON : DNG NO. OFTR /NMOM/06

39



1. **MATL:** TIMBER CONFORMING TO APPENDIX 'A' OF SPECN IND/ME/883 (e)
2. **NAILS** TO BE SUITABLY RUST PROOF. ENDS OF NAILS TO BE FIRMLY CLINCHED.
3. EACH BATTEN OF BOX SECURED BY SUITABLE NAILS.

25-06-09		PROVISIONALLY SEALED BY DGM/NAI		DG NAI	<i>sdg</i>
19-5-09		APPROVED			
RNO	DATE	ZONE	BRIEF RECORD	AUTHORITY	INITIALS
SCALE: NTS		TOL:		DIMENSIONS ARE IN mm	
DGN	DRN	TCD	COMP	CHD	ASSY DRG NO
PASSED			APPROVED		NAI (P) 514 (PROV)
MATL: SEE DRG			GEN SPEC.: NA SPEC A31B (REAFFIRMED 2008)		NAVAL ARMAMENT INSPECTORATE PUNE
MATL SPEC: SEE DRG					
PROTECTIVE FINISH: /			STORE REF NO		
SUPPORT-I					
					DRAWING NO NAI (P) 514/2 (PROVISIONAL)



1. NAIL: TIMBER CONFORMING TO APPENDIX 'A' OF SPECN IND/ME/883 (e)
2. NAILS TO BE SUITABLY RUST PROOF. ENDS OF NAILS TO BE FIRMLY CLINCHED.
3. EACH BATTEN OF BOX SECURED BY SUITABLE NAILS.


23-06-09		PROVISIONALLY SEALED BY DGNAI		DGNAI	sdsp
20-5-09		APPROVED			
RNO	DATE	ZONE	BRIEF RECORD	AUTHORITY	INITIALS
SCALE: NTS		TOL:	DIMENSIONS ARE IN mm	ASSY DRG NO	
DGN	DRN	TCD	COMP	CHD	NAI (P) 514 (PROV)
PASSED			APPROVED	NAVAL ARMAMENT INSPECTORATE PUNE	
MATL: SEE DRG			GEN SPEC.: NA SPEC A31B (REAFFIRMED 2008)		
MATL SPEC: SEE DRG					
PROTECTIVE FINISH: /			STORE REF NO		
SUPPORT-II					
				DRAWING NO	
				NAI (P) 514/3	
				(PROVISIONAL)	

A4

USED ON: MARKER MAN OVER BOARD

BASED ON: OFDR/PACKING/MMOB/08/06

USED ON: MARKER MAN OVER BOARD
 BASED ON: OFDR/PACKING/MOB/08/06

DRAWING NO NAI (P) 514/4 (PROVISIONAL)		TOP COVER		PROTECTIVE FINISH: —		STORE REF NO	
				MATERIAL SPEC: SEE DRG		MATERIAL SPEC: NA SPEC A31B (REAFFIRMED 2008)	
NAVAL ARMAMENT INSPECTORATE PUNE		APPROVED		PASSED		MATERIAL SPEC: SEE DRG	
NAI (P) 514 (PROV)		DGN		DGN		DGN	
ASSY DRG NO		COMP		TCD		DIMENSIONS ARE IN mm	
AUTHORITY		BRIEF RECORD		SCALE: NTS		TOP:	
INITIALS		APPROVED		DATE		ZONE	
DGNAT		PROVISIONALLY SEALED BY DGNAT		25-06-09		29-5-09	

- MATERIAL CONFORMING TO APPENDIX A OF SPECN IND/ME/883 (e)
- NAILS TO BE SUITABLY RUST PROOF. ENDS OF NAILS TO BE FIRMLY CLINCHED.
- EACH BATTEN OF BOX SECURED BY SUITABLE NAILS.

