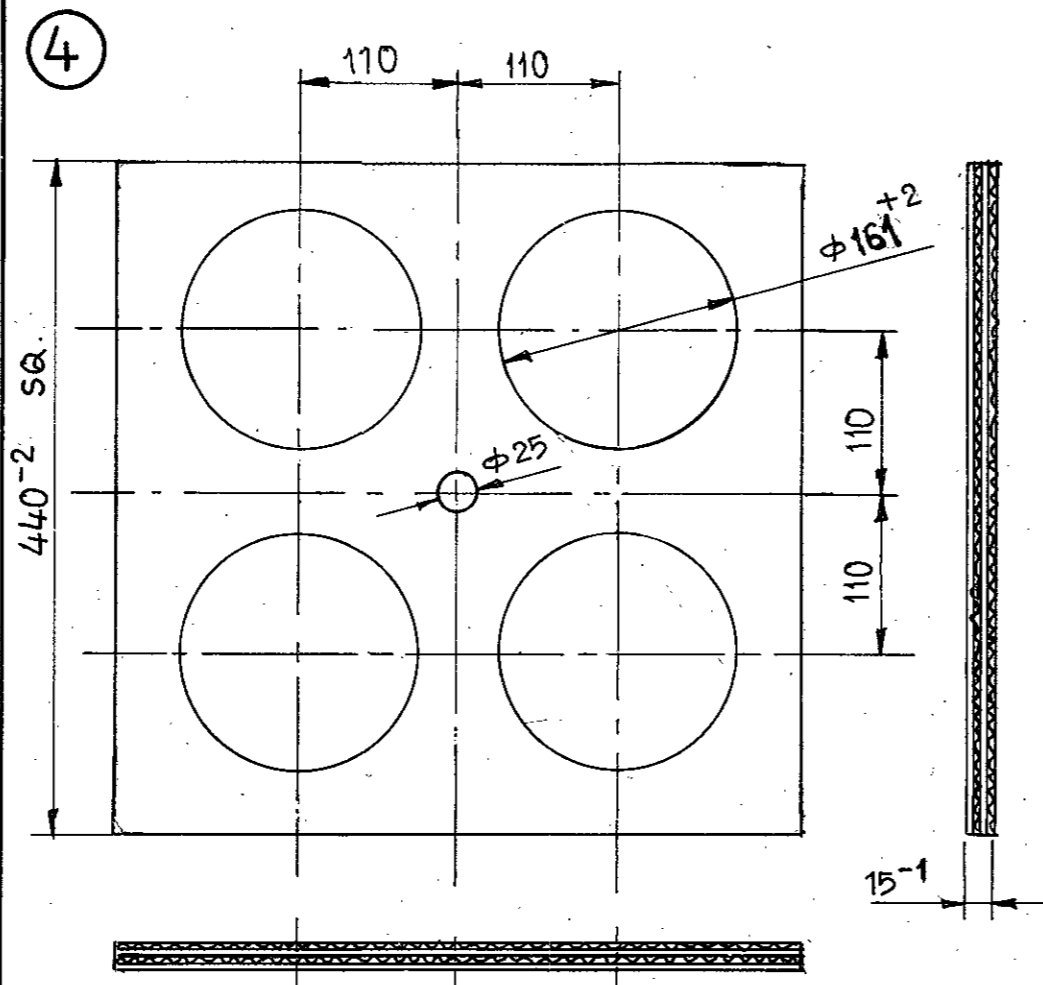
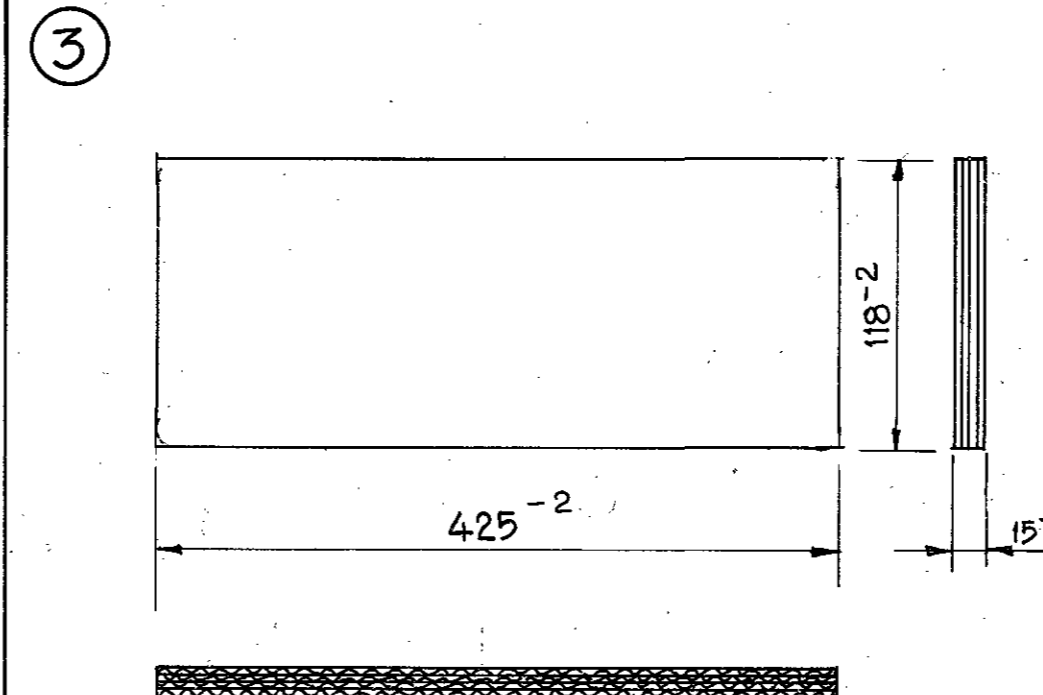


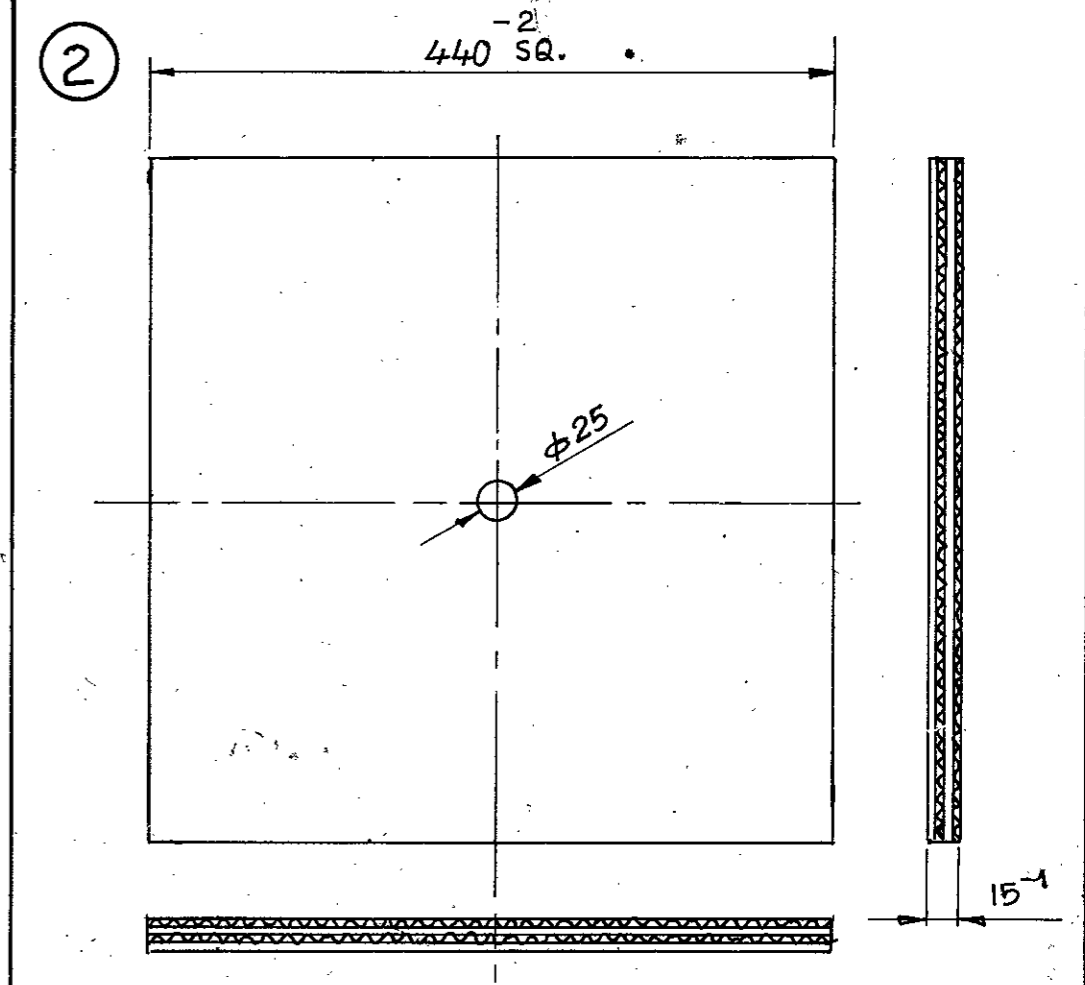
PARTITION
NO. OFF - 2



BASE SUPPORT
NO. OFF - 1



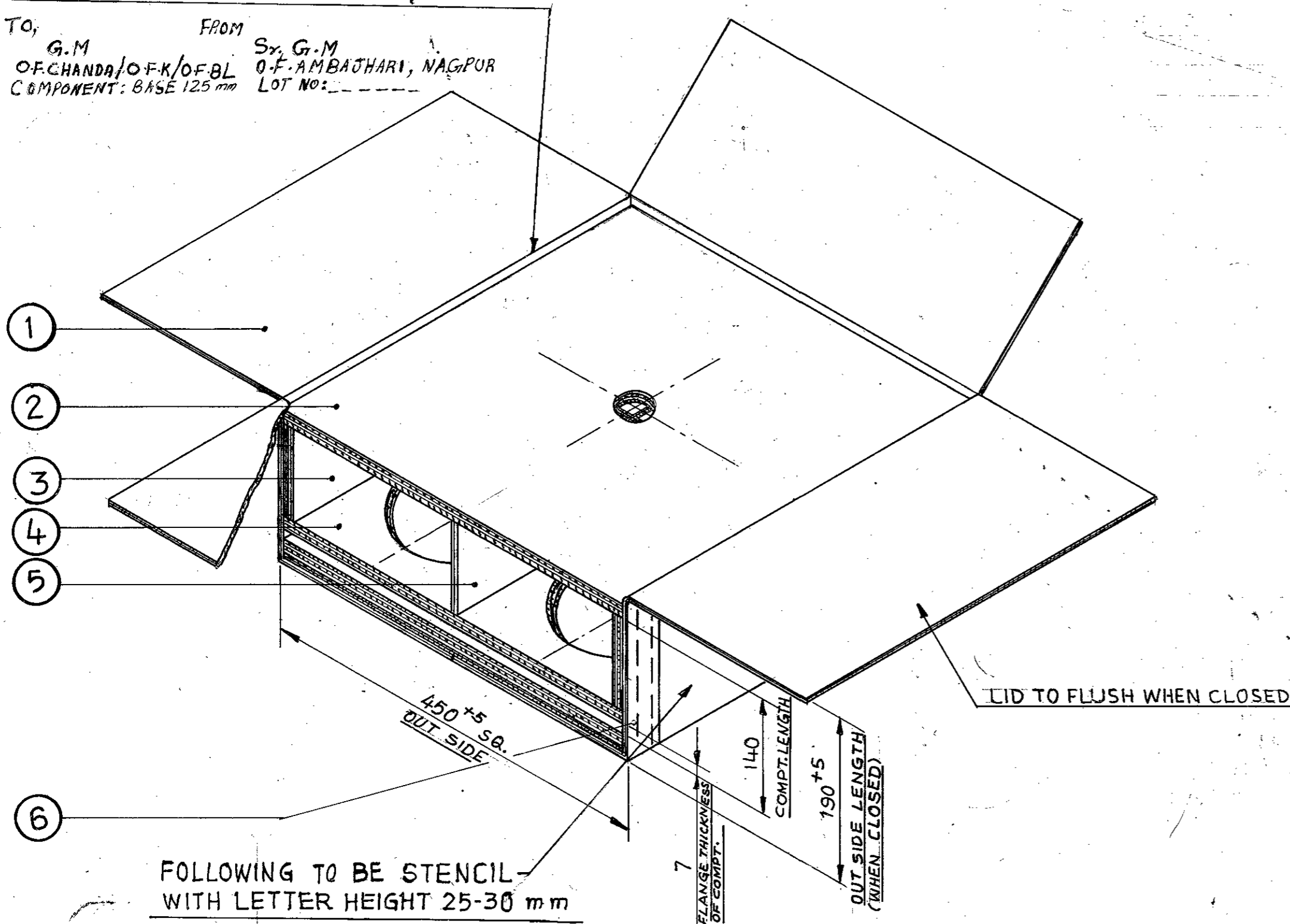
SHOCK ABSORBER (SIDES)
NO. OFF - 4



SHOCK ABSORBER (TOP & BOTTOM)
NO. OFF - 2

FOLLOWING TO BE STENCIL
WITH LETTER HEIGHT 25 TO 30 mm

To, G.M FROM Sy. G.M
O.F. CHANDRA/O.F.K/O.F.BL O.F. AMBAJHARI, NAGPUR
COMPONENT: BASE 125 mm LOT NO: -



FOLLOWING TO BE STENCIL
WITH LETTER HEIGHT 25-30 mm

सेवा में, द्वारा -
महाप्रबंधक, अखिल महाप्रबंधक
ओ. एफ. वांदा/ओ. एफ. के./ओ. एफ. बी. मल, ओ. एफ. अम्बाजरी
कम्पोनन्ट, बेस 125 मम, लॉट नं. -

NOTE:

- (1) PART NO. 1 & 5: 150 GSM KRAFT PAPER, 5 PLYS, DOUBLE WALL CONSTRUCTION VERTICAL, NARROW FLUTING & 5mm THICK.
- (2) PART NO. 2: 120 GSM KRAFT PAPER, 9 PLYS, 4 WALL, MEDIUM FLUTING, 15mm THICK & CROSS FLUTED, i.e. ALTERNATE FLUTES SHOULD RUN ACROSS EACH OTHER AS SHOWN IN DETAIL.
- (3) PART NO. 3: 120 GSM KRAFT PAPER, 9 PLYS, 4 WALL, VERTICAL MEDIUM FLUTED, 15mm THICK.
- (4) PART NO. 4: 150 GSM KRAFT PAPER, 9 PLYS, 4 WALL, MEDIUM FLUTING, 15mm THICK & CROSS FLUTED, i.e. ALTERNATE FLUTES SHOULD RUN ACROSS EACH OTHER AS SHOWN IN DETAIL.
- (5) EACH BOX IS TO HOLD COMPONENTS OF MASS 20 Kg.
- (6) THE COMPLETE BOX WHEN TESTED FOR SUBSTANCE SHOULD HAVE A TOTAL MASS OF MIN. 2.0 Kg.
- (7) THE BOXES & PARTS TO BE MARKED WITH THE MANUFACTURERS NAME/INITIALS OR TRADE MARK.
- (8) GENERAL WORKMANSHIP & FINISH SHALL BE GOOD THROUGHOUT.

OTHER PARAMETERS ARE GOVERNED BY THE SPECN. IS: 2771 (PART-1) LATEST ISSUE.

REV.	DATE	DESCRIPTION	SIGN.	PART	DESCRIPTION	NO. OFF	REMARK
6		STAPLES, MS GALVANISED 12X3X0.8 THICK		AS REQD			
5		PARTITION		2	MIN. 9 Kg/cm ²		
4		BASE SUPPORT		1	MIN. 16 Kg/cm ²		
3		SHOCK ABSORBER (SIDES)		4	MIN. 12 Kg/cm ²		
2		SHOCK ABSORBER (TOP & BOTTOM)		2	MIN. 12 Kg/cm ²		
1		PACKING BOX		1	MIN. 9 Kg/cm ²		
AMENDMENTS				PART LIST			
88/15	04/06	NOMENCLATURE		DIMENSIONS ARE IN mm			
E	2015	CARTON WRE BOX		THIRD ANGLE PROJECTION			
253/04	18-8-04	STENSILE IN ENGLISH & HINDI, INTO ADDRESS O.F.K/O.F.BL. ADDD	Jamles	SCALE: 1:5			
153/04	28-5-04	PRINTED IN ENGLISH ADDED	Jamles	MATERIAL: AS ABOVE			
24/04	16.1.04	STENSILE CHANGED IN ENGLISH TO HINDI	Jamles	NOMENCLATURE: CORRUGATED FIBREBOARD			
407/97	23-12-97	STENCILING NOTE ADDED	HAS/CPD	DRAWN: [Signature]			
				CHECKED: [Signature]			
				E/DO: [Signature]			
				DATE: 28-2-88			
				DRAWN: [Signature]			
				DATE: 25.11.88			
				ORDNANCE FACTORY AMBAJHARI			
				DRG. NO. CC-333 E			
				SHEET NO. 1			
				NO. OF SHEETS. 1			
				OPERATION NO.			
				COMPT. CC-299			
				STORE: OTS BASE			