

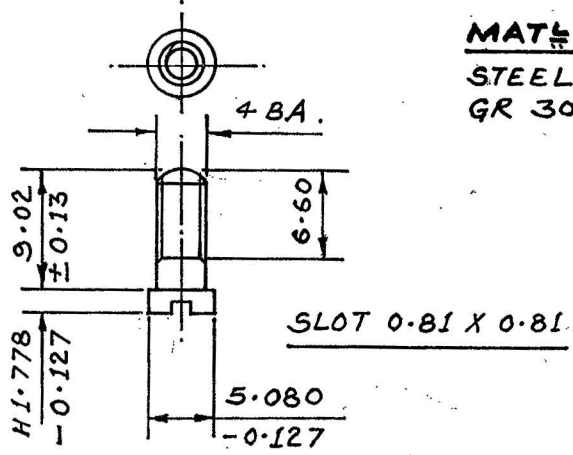
626 X 0
PART N^o

DRG. CONVENTIONS CONFORM TO IS: 696
DIMNS ARE IN mm

D.C. 25257-A
D.S. CAT N^o 1390-000279

NOTE:-
TOL. ON UNTOL. DIMNS.
FOR ONE DECIMAL PLACE ± 1.3
FOR TWO OR MORE DECIMAL PLACES ± 0.13

MAT_E:-
STEEL BS 970 Pt 1: 1983
GR 303 S 31 COLD DRAWN.

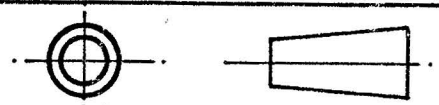


19-8-31	RETRACED WITHOUT CHANGE.		
	PREVIOUS D.C ^s N ^{os} 25257-A, 32465-A, 34168-A & 34279-A.		

R.N ^o	DATE	AUTHORITY	REVISION	ZONE	AHSP. D.O. SIG.
------------------	------	-----------	----------	------	-----------------

DRG. SEALED:- 17-1-59

DRN.	CHD.	TRD. RDT	COMP. <i>W</i>	ASSY. DRG.
SDI- C.D. MAN	0 ¹ /C.D.O.	SCALE:- 2/1	EST. MASS:-	
APPD.	FOR CQA (A)	GAUGE SCHD:-	DATE:- 9-6-54	



MAT_E:- AS ABOVE
PROTECTIVE FINISH:-

DESIGNER'S REF.
D 3 (L) 6911

SCREW

PART N^o
QX 979
D.S. CAT N^o
1390-000279
AHSP:- C.Q.A.(A). KIRKEE