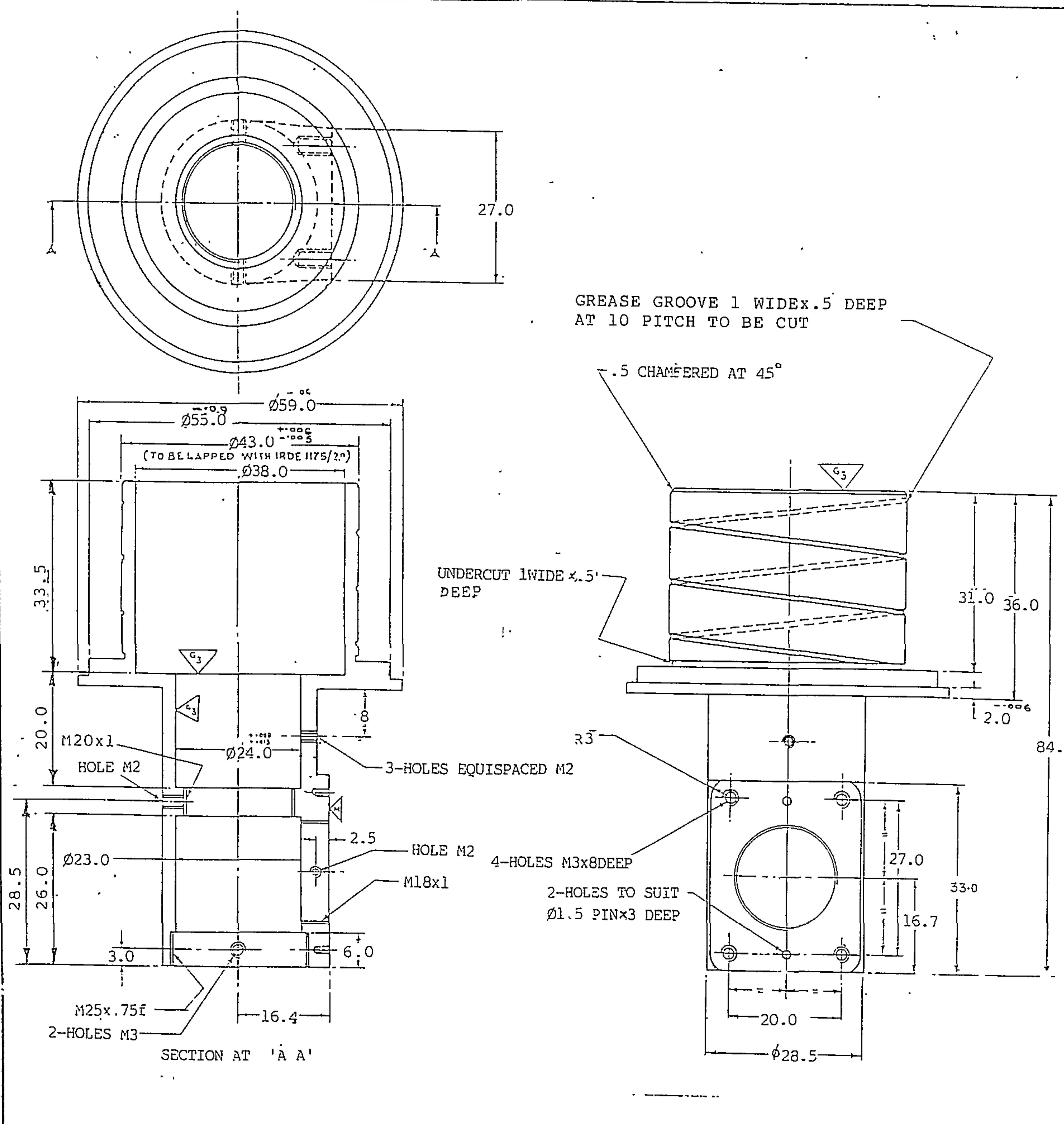


DC(I) :- 1169-I(P), 1193-I(P), 5361-I, 5913-I, 7047-I.

REDUCED DRG. PREPARED AT COA(I) DEHRA DUN  
 PREPARED BY : *Y.S. Raina*  
 CHECKED BY : *Sushanta K. S.* DATE:

CHECKED *Q.S.*  
 FOR Q.M.



SUPPORT, DOVE PRISM ASSEMBLY

AMENDMENTS	CHD	SIG	DATE
D.C.-5913-I. DRG. REDUCED, UPDATED & SEALED IN SUPERSESSION OF EXISTING ONE.	<i>MS</i>	<i>AS</i>	5-12-94.
(a) D.C. 7047-I. MATL. AMENDED.	<i>MS</i>	<i>AS</i>	21-10-11

FOR EXPLANATION OF DIMENSIONING ETC., SEE COA(I) GUIDE No 001-1992. THIRD ANGLE PROJECTION DIMENSIONS ARE IN mm	DRN	<i>SAL</i>	APPROVED <i>SAL</i> FOR DIRECTOR IRDE DEHRADUN
	TCD	<i>SAL</i>	
	CHD	<i>SAL</i>	
	CHD	<i>SAL</i>	DATE: 4-1-85
MATL & SPEC:- STEEL 55 C 0 TO IS 1570-1979 (Pt. II)	USED		
	BASED ON		
	CAT/PT No.	1240-001752	
FINISH & SPEC:- PAINTED BLACK EXCEPT BEARING SURFACES	DRG No.	IRDE 1175/17	
	SCALE	1 SH OF	