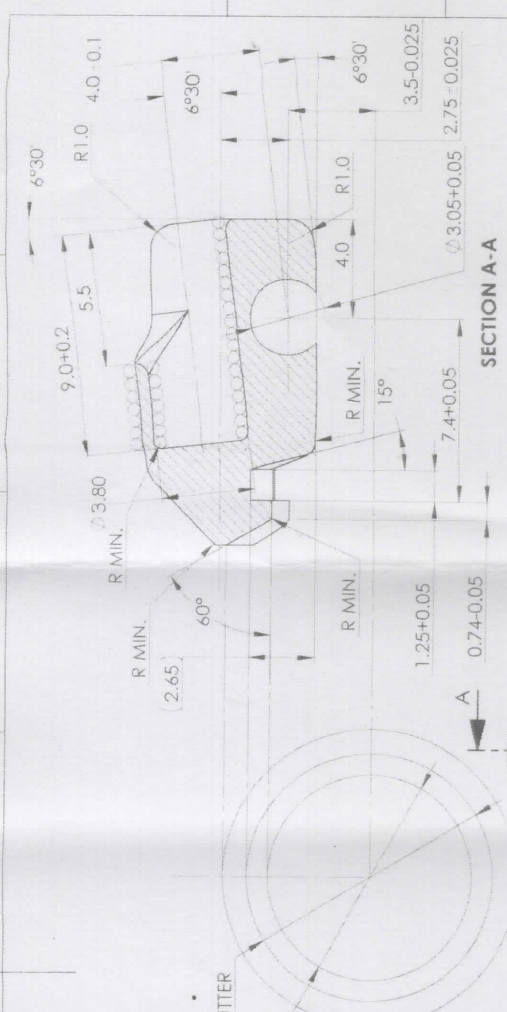
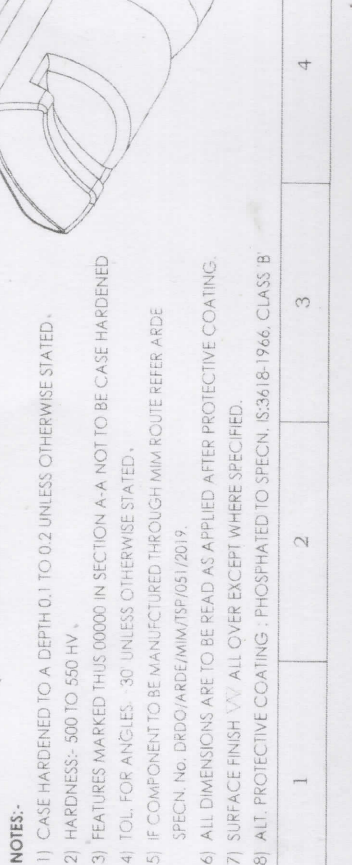
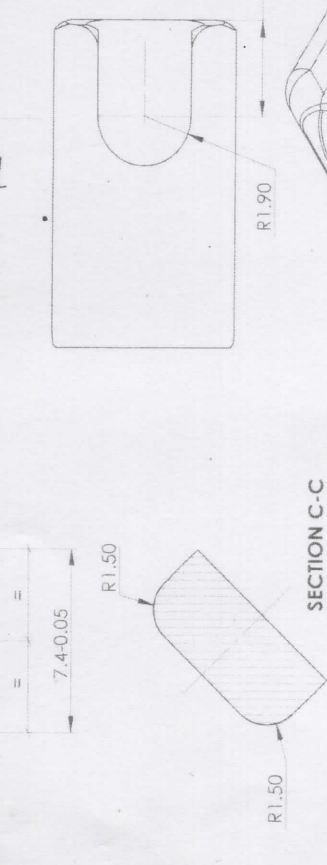
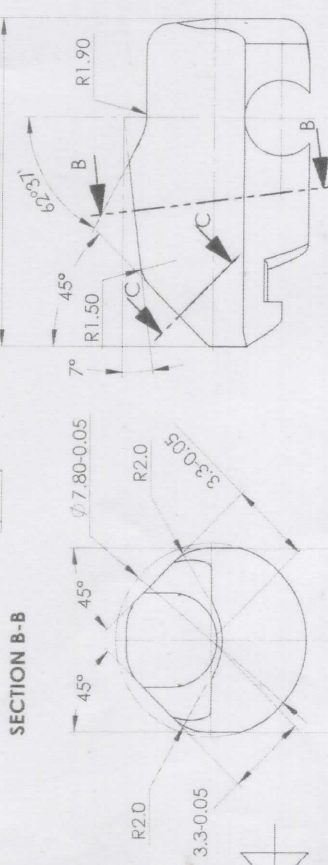


ISS V C 0 0 2 0 0 / COARSE DRG. CONVENTIONS CONFIRM TO INDIAN STANDARDS CLASS TO IS: 2102

DRG. CONVENTIONS CONFIRM TO INDIAN STANDARDS DIMENSIONS ARE IN mm UNLESS OTHERWISE STATED.



आरेखण की सही प्रमाणात
प्रतिलिपि दिनांक: 16/07/2019
Certified as correct
of drg. 01.16.07.19

Sr. No.	DATE	AUTHORITY	BRIEF RECORD	ZONE	CD	GO
DRN: SOURABH	07/03/2019	<i>Sourabh</i>	<i>Sourabh</i>			
SIGN: <i>Sourabh</i>						
DATE: 07/03/2019						
APPD.						
DATE: 07/03/2019						
SEALED						
DATE:						
SHEET SIZE: A3						
SCALE: 5:1						
DESIGN AUTHORITY						
ARDE						
PUNE 411021						
EST. MASS						
2.53 gm						
DRG No. 0 2 0 4	0 3	0 4	0 0	0 5	0 0	0 0
IC	SS	S	AA	A	C	SST
JVPC	FART No.	DS CAT No.		AHSP		
5	6	7	8			

SECTION C-C

- NOTES:-
- 1) CASE HARDENED TO A DEPTH 0.1 TO 0.2 UNLESS OTHERWISE STATED.
 - 2) HARDNESS:- 500 TO 550 HV.
 - 3) FEATURES MARKED THUS 00000 IN SECTION A-A NOT TO BE CASE HARDENED
 - 4) TOL. FOR ANGLES:- 30° UNLESS OTHERWISE STATED.
 - 5) IF COMPONENT TO BE MANUFACTURED THROUGH MIM ROUTE REFER ARDE SPECN. No. DRDO/ARDE/MIM/TSP/051/2019.
 - 6) ALL DIMENSIONS ARE TO BE READ AS APPLIED AFTER PROTECTIVE COATING.
 - 7) SURFACE FINISH $\nabla\nabla$ ALL OVER EXCEPT WHERE SPECIFIED.
 - 8) ALT. PROTECTIVE COATING - PHOSPHATED TO SPECN. IS:3618-1966 CLASS B

EXTRACTOR 5.56 x 30 mm JVPC