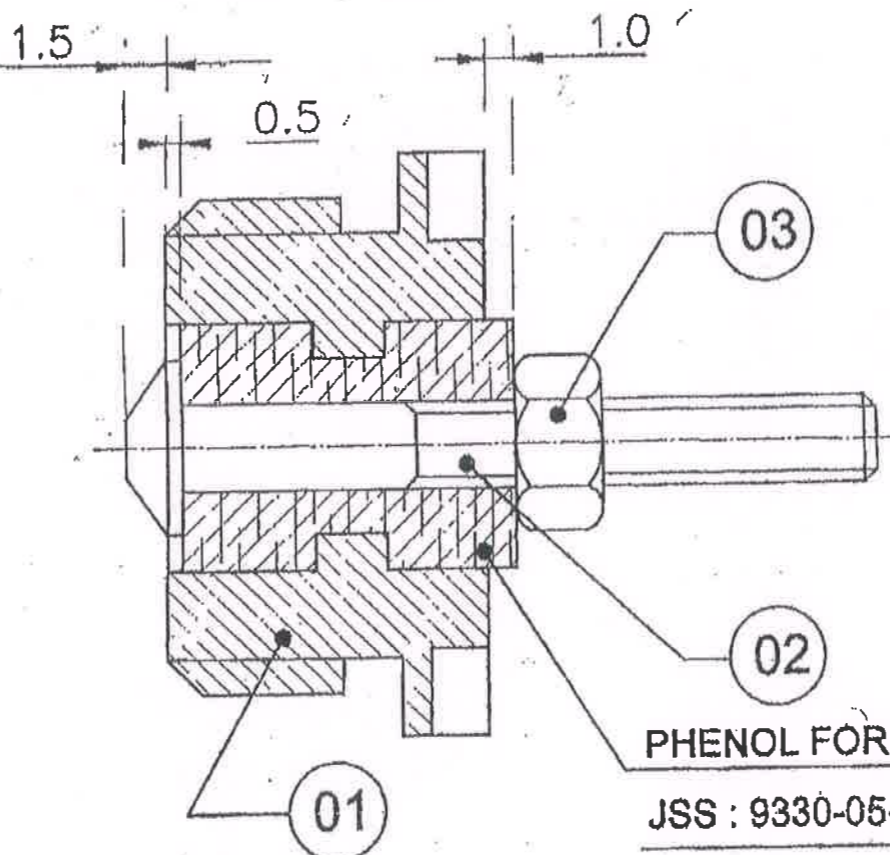
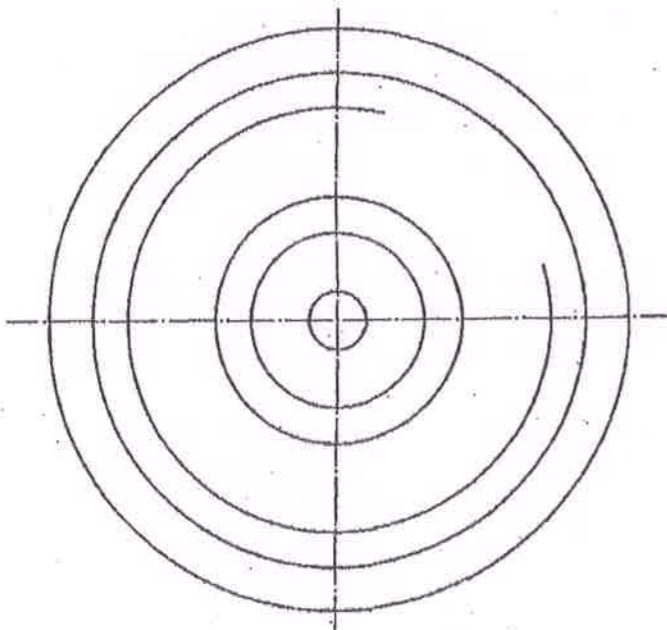


**REFERENCE**

**LIST OF COMPONENTS**

SL NO	DESCRIPTION	DRAWING NO	QTY	REMARKS
01	BODY	NASK 1068/6/1 (PROV)	01	
02	CONTACT	NASK 1068/6/2 (PROV)	01	
03	NUT	N D	03	HEXAGON NUT M3x0.5 IS:2389-BRASS



जांचा गया और प्रमाणित  
Checked and Certified

*Signature*  
CINA (PUNE)  
CO

ISSUED BY  
STANDARD CELL  
for EOI  
DATE: 9/9/12 SIGNATURE:

PHENOL FORMALDEHYDE TO SPEC  
JSS : 9330-05-2002 (OR SP-16)

DCANE 5999049586

SCALE :- 6:1		DIMENSIONS ARE IN mm		TOL	D.S.CAT No	ASSY.DRG. No.NASK1068 &1071
DGN.	DRN	P.S.D.	TOD	COMP.	CHD.	ASSY.DRG.LIST No.
PASSED	APPROVED	THREADS CONFORM TO IS:4218		DTE GEN OF NAVAL		
08-09-09	DCANE ADDED	ARD 2396		ARMAMENT INSPECTION		
02-06-09	APPROVED	DGNAI		IHQ, MoD (NAVY), N.DELHI		
R.No	DATE	ZONE	BRIEF RECORD	AUTHORITY	INITIALS	PROTECTIVE FINISH.

**ASSY CONTACT**

DRG.No.  
**NASK 1068/6**  
(PROVISIONAL)

TRIM ON THIS LINE WHEN SUPPLIED TO TRADE