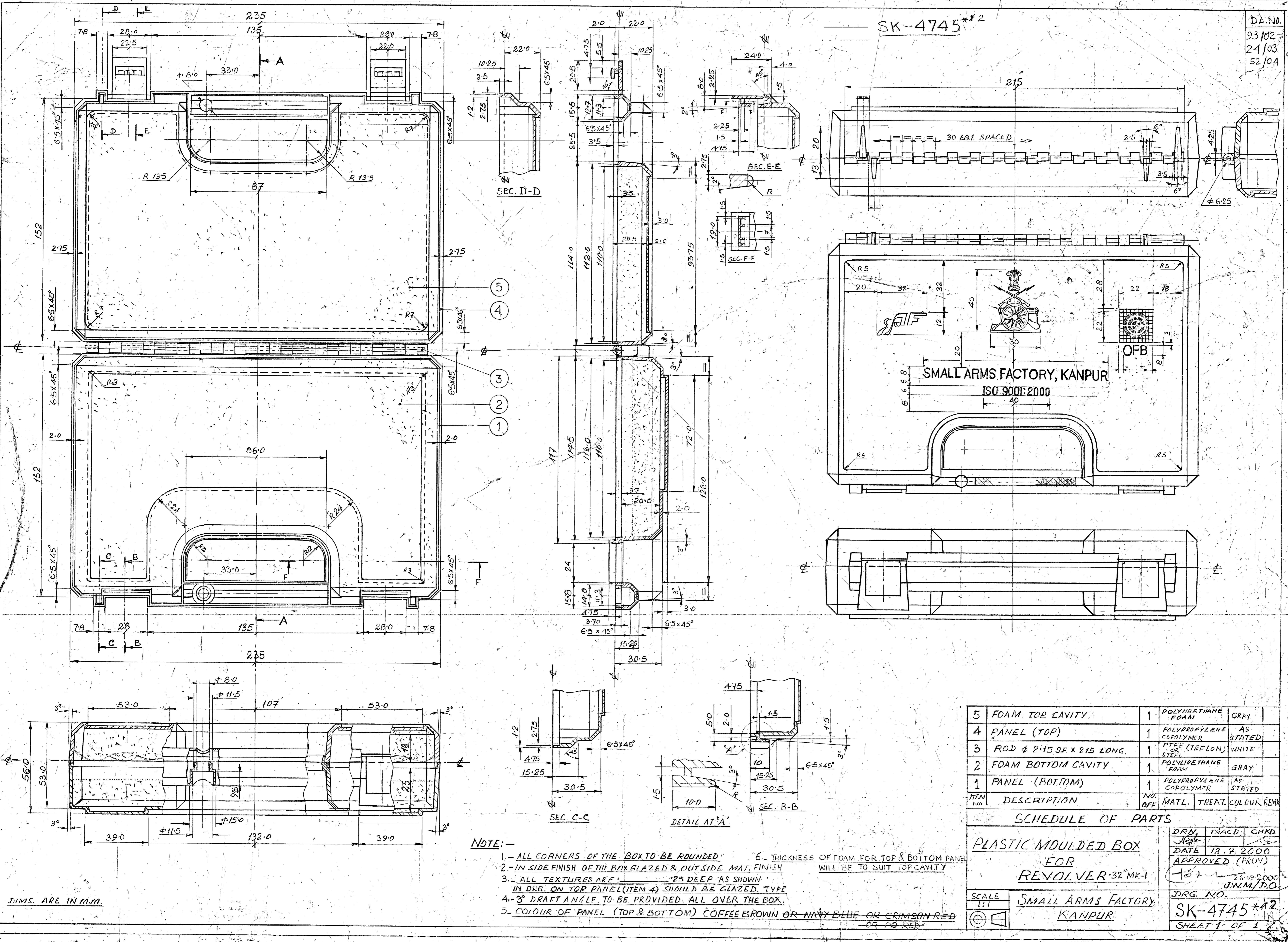


SK-4745**2



DIMS. ARE IN M.M.

NOTE:-

1. ALL CORNERS OF THE BOX TO BE ROUNDED
2. IN SIDE FINISH OF THE BOX GLAZED & OUTSIDE MAT. FINISH
3. ALL TEXTURES ARE: .25 DEEP AS SHOWN IN DRG. ON TOP PANEL (ITEM 4) SHOULD BE GLAZED, TYPE
4. 3° DRAFT ANGLE TO BE PROVIDED ALL OVER THE BOX.
5. COLOUR OF PANEL (TOP & BOTTOM) COFFEE BROWN OR NAVY BLUE OR CRIMSON RED OR PO RED
6. THICKNESS OF FOAM FOR TOP & BOTTOM PANEL WILL BE TO SUIT TOP CAVITY

ITEM NO.	DESCRIPTION	NO. OFF	MATL.	TREAT.	CLOUR	REMARKS
5	FOAM TOP CAVITY	1	POLYURETHANE FOAM		GRAY	
4	PANEL (TOP)	1	POLYPROPYLENE COPOLYMER		AS STATED	
3	ROD ϕ 2.15 SF x 215 LONG.	1	PTFE (TEFLON) COATED STEEL		WHITE	
2	FOAM BOTTOM CAVITY	1	POLYURETHANE FOAM		GRAY	
1	PANEL (BOTTOM)	1	POLYPROPYLENE COPOLYMER		AS STATED	

SCHEDULE OF PARTS

PLASTIC MOULDED BOX FOR REVOLVER-32" MK-1		DRN	TRACD.	CHKD.
		13.7.2000		
		APPROVED (PROV)		
		26.09.2000		
		J.W.M./D.O.		
SCALE 1:1		DRG. NO.		
SMALL ARMS FACTORY, KANPUR		SK-4745**2		
		SHEET 1 OF 1		