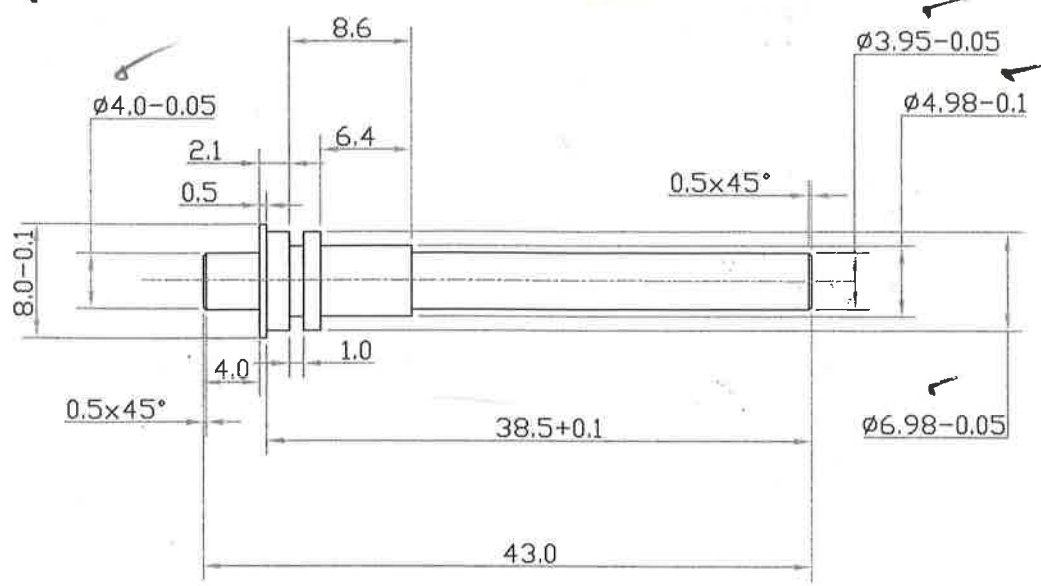


ISS	C	A	AA	S	SS	IC	DRG.No.
0000A	017	181	202	202	303	404	0204

GEN TOL FINE/MEDIUM/COARSE CLASS TO IS:2102

DRG CONVENTIONS CONFIRM TO INDIAN STD DIMN IN mm UNLESS OTHERWISE STATED

**CONTROL COPY No. 1**



NOTES: 1) REMOVE ALL SHARP EDGES AND BURRS  
 2) HEAT TREATMENT : HARDENED TO 500-550 HV WITH CASE DEPTH 0.13 TO 0.26

*Qty verified on 14/3/16*  
*[Signature]*

*Received on 29/11/15*

S No	DATE	AUTHORITY	BRIEF RECORD	ZONE	CD	GO
DRN	SD	CHD	MATERIAL:		SIGN	
APPD	DATE 07/03/2014	For Director	STEEL TO IS:4432 1988, Gr 13Ni13Cr3 (En-36B)			
SEALED DATE			PROTECTIVE FINISH: PHOSPHATED TO SPECN IS:3618-1966, CLASS 'B'			
SCALE 2:1	EST MASS	TITLE				
DESIGN AUTHORITY ARDE PUNE 411021		<b>PIN AUTO SEAR</b>				

DRG.No.	0204	03	02	02	18	017	00DA
	IC	SS	S	AA	A	C	SST
PART No	DS CAT No			AHSP			