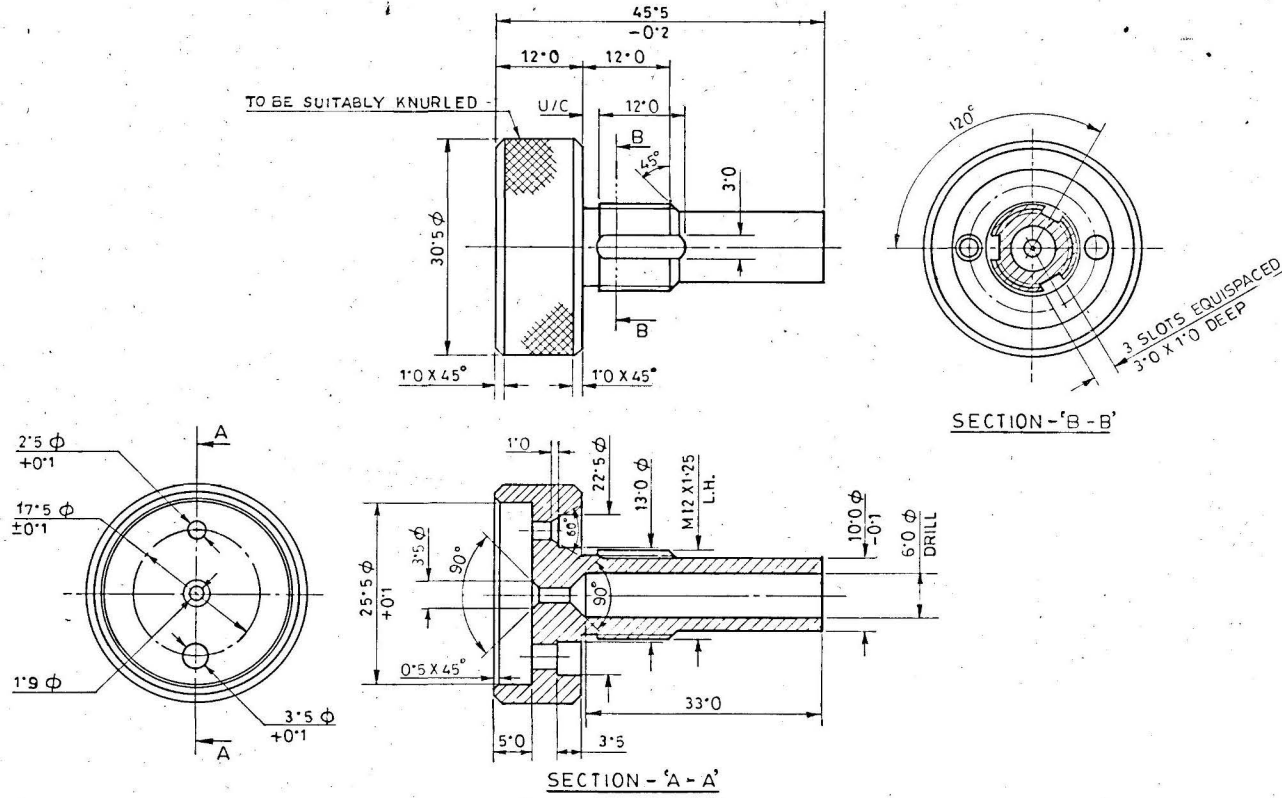


D.S.CAT. 1005-007929

DRAWING CONVENTIONS CONFORM TO JSG-0104
DIMNS. ARE IN mm. GEN. TOL. 'MEDIUM' IS: 2102

MARKING (SUITABLY) ON SAMPLE
Yr. OF Mfg.
MANUFACTURER'S CODE
D.S.CAT. NO.



29.08.16 26923 SA		MATERIAL AMENDED		DRN.	CHD.	TRD.	COMP.	AHSP. CQA(SA), ICHAPUR	
19.7.10 26525 SA		NSN ADDED		SCALE:-	2:1	EST. MASS.	APPROVED	ASSY. 1005-007847	
11-12-97 23977-SA		PROFORMA CHANGED, MARKING NOTE ADDED, NEG. RE-TRACED AND DRG. PROV. RE-SEALED.		DT. 11.12.97		NEG. RE-TRACED			
		PREVIOUS D.C. NO. 23787 - SA		COPY	COPY	MATERIAL :- IS: 5517-1993 DESIGNATION 42 Cr4 Mo2 LRS 63 mm.		DGNR'S ARDE SK.2992/1	
DATE AUTHY.		BRIEF RECORD.		ZONE	I/C; D.O.	G.O.		PART NO.	
SEALED:-		PROV. D.C. NO. 23787 - SA. DT. 28.3.97.		SIGN.	H.T./ HARDNESS:-			DRG. NO.	
NOMENCLATURE				PLUG				PROTECTIVE FINISH:-	D.S.CAT. NO. 1005-007929
				PHOSPHATE TO SPECN. JSS:0465-01-1988 CLASS II (ACCELERATED), OIL FINISH.					

NSN: B1/1005-72-0001929