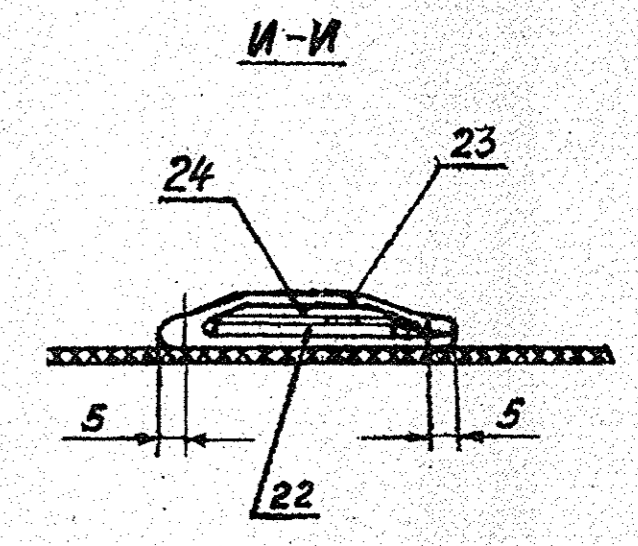
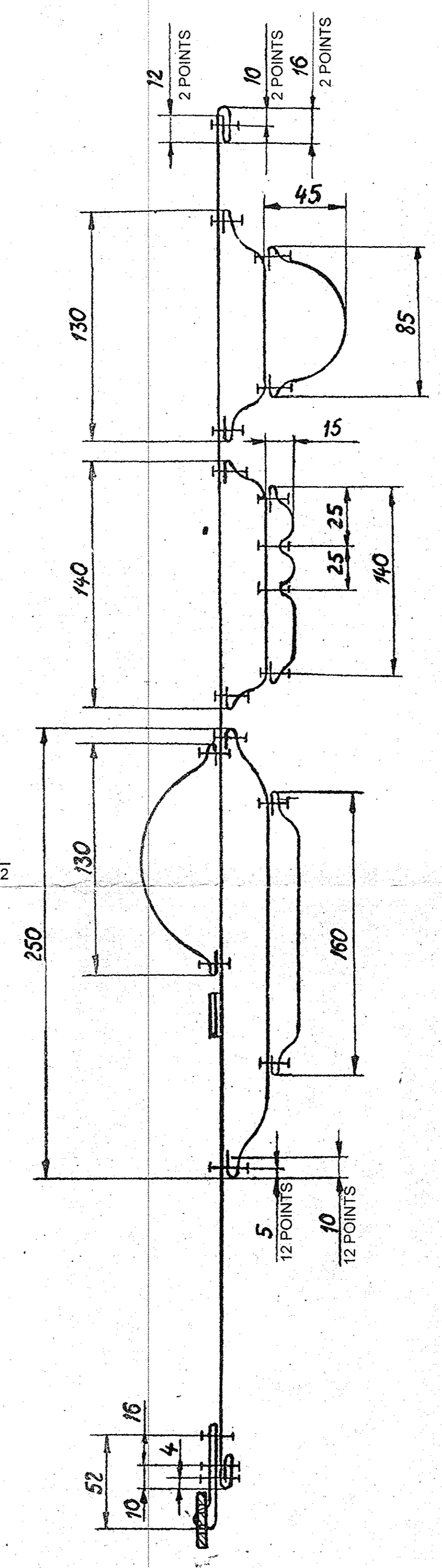


A
SHEET 2



1. SEW WITH KHAKI GLOSSY COTTON THREAD, 12 PLY, 00, GOCT 6309-80, 20 TO 22 STITCHES PER 100mm.
2. PART, REF. No. 1, MAY BE SEWN OF TWO PORTIONS.
3. LIMIT DEVIATIONS OF LINEAR SIZES IN ACCORDANCE WITH GOCT 16966-71. THE CHECK IS MADE VISUALLY.
4. APPLY CELL NUMBERS WITH BLACK ENAMEL 3 ПО-51, GOCT 9640-75, WITH TYPE ПО-24, GOCT 2930-62. LOCATE THE DIGITS IN THE CENTRE OF THE CELLS.
5. MARK WITH BOOK COVER PAINT No 8000-01, TY, 29-02-532-76, WITH TYPE ПО-50.
6. SEAL PARTS, REF. Nos 12 AND 13, THROUGH HOLES OF PART, REF. No 18.
7. STAMP.
8. SECURE PART, REF. No. 24, TO PART, REF. No. 22 WITH SILICATE GLUE, TY 6-15-433-75.
9. IMPREGNATE WITH VARNISH ПБС-1 GOCT 901-78.

5/8

DRAWN:-		CHD:-	ASSY DRG:-	CQA(W), JABALPUR
SCANNED:- RC		CHD:- P.R. Vajh	DATE:-	
12-9-06	SCANNED & PRINTED WITHOUT CHANGE		SCALE:- 1:2	DESIGN No.
DATE	AUTHORITY	ZONE	AMENDMENTS	
PREV DC Nos:- 16407-W, 17220-W & 18174-W Dated 22-09-95		SIG AHSP	SIG DO	PART No. 2 SHTS SHT-1 2A42.11.000 C5
DRG SEALED:-18174-W Dt. 22-09-95		PROTECTIVE FINISH:-		
		MATERIAL:-		DS CAT No.
		DO FOR CQA(W) ESTD mass:- 0.6		
		DO CQA(W)		

**SPTA BAG
ASSEMBLY DRAWING**