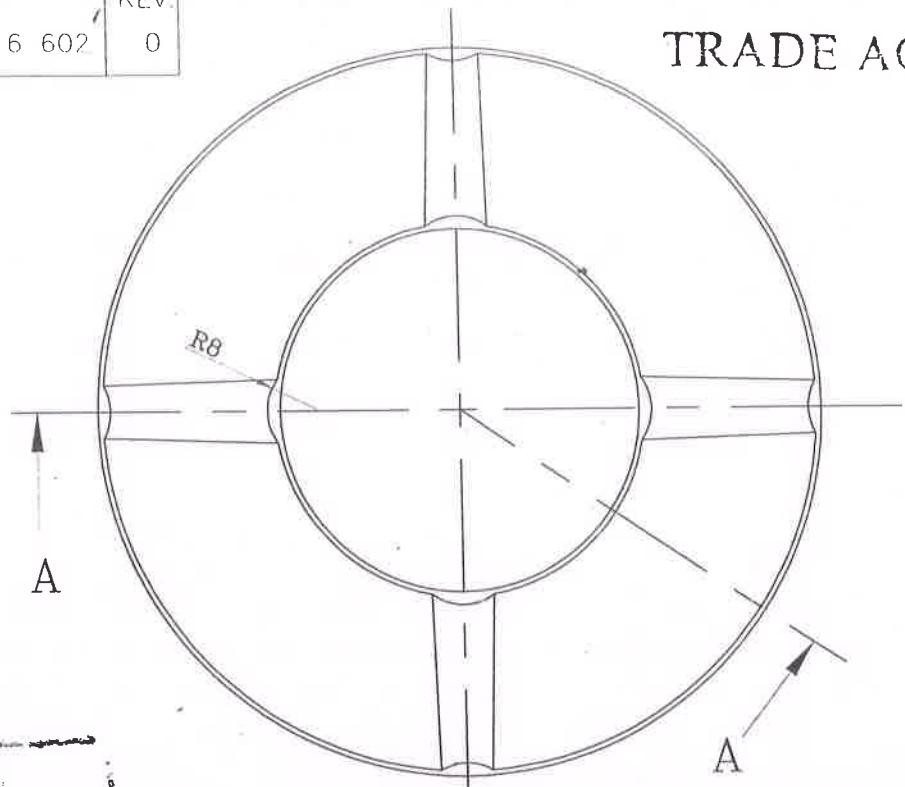


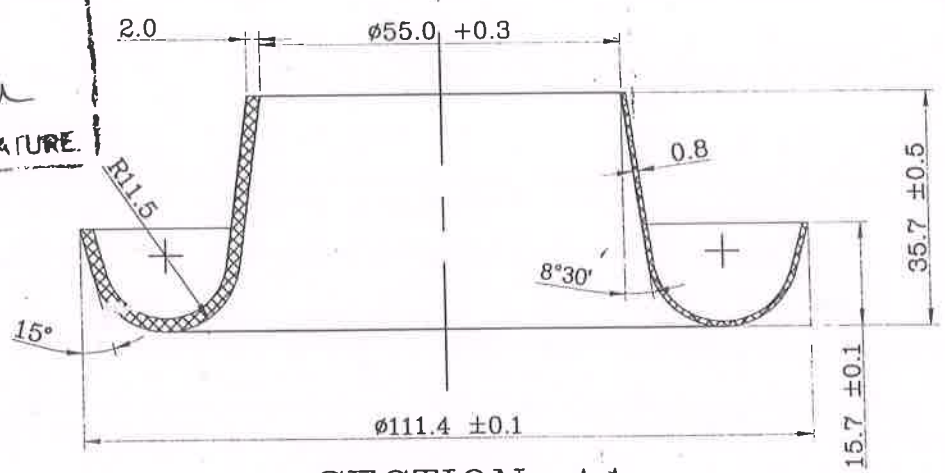
DRG. NO: C RRS 125 6 602
REV. 0

TRADE ACTION



MARKING: TO BE SCREEN PRINTED
 * + ☒
 CONTRACTOR'S INITIAL OR RECOGNISED TRADEMARK
 DATE OF MANUFACTURE (MONTH&YEAR)
 LOT No

H. A. P. P.
 TIRUCHY - 25
 D. O. O.
 COPY No 01
 ISSUED TO *hosi/mw*
 DATE 25/4/18 SIGNATURE: *[Signature]*



SECTION-AA

☒ WARNING :- STRICTLY NOT TO BE REPRODUCED IN ANY FROM

ALL DIMS. ARE IN mm
 LATEST REF./DC NO.:

MATERIAL			LATEST REF./DC NO.:	
SILICONE RUBBER TO SPEC. DTD 818 CLASS "L"-3 HARDNESS 60 ±5 SHORE "A"	REV	ALTERATIONS	DATE	
HARDNESS	TITLE :			
PROTECTIVE FINISH	REAR RUBBER SEAL			
EST.MASS	PRO/FINAL	FOR PROJECTILE 125mm DOP 550mm		
		HEAVY ALLOY PENETRATOR PROJECT		
		TIRUCHIRAPALLI		
		DRAWN	<i>[Signature]</i>	SHEET 1
		CHECKED USER SEC	<i>[Signature]</i> 23/4/18	
		CHECKED HOS/SC	<i>[Signature]</i>	
		APPRD.	<i>[Signature]</i> 23/4/18	
		DATE	23.04.18	
		SCALE	NTS	
		DRG. NO:	C RRS 125 6 602	REV 0