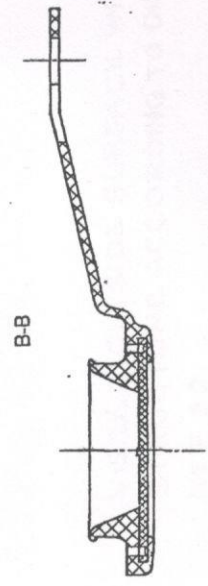
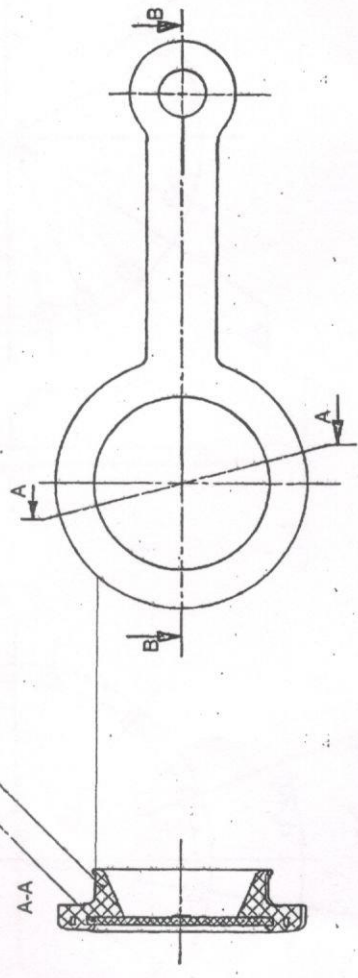


MCT-2931/1  
CGA(1)789/16

MCT-2929/1  
CGA(1)789/15



FOR TRADE ODM  
Date of Issue 21.02.19

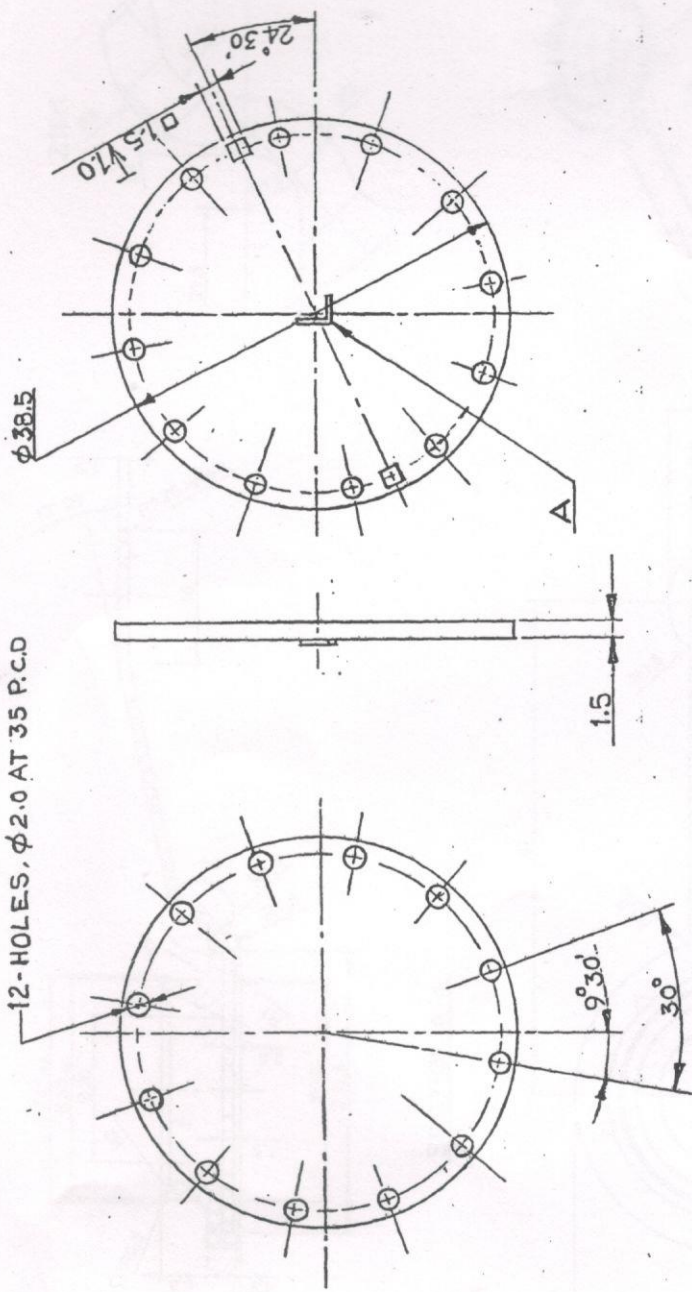
**BINOCULAR 8x30 R**  
**CAP PROTECTIVE DUST AND MOISTURE SEAL**

DT.-12-06-2010	SCALE - NTS
MATL.	TREAT.
AS ABOVE	AS ABOVE
DA.No. 01/2015 Dt. 21/2015	SHT. NO. 1
AMENDMENTS	DRAWING NO.
OPD/DO/002	MCT-2930A

ORDNANCE FACTORY DEHRADUN	DRAWN BY: P.C.SINGH
	TR- [Signature]
	APPROVED [Signature]
JWH/D.O.	WM/P [Signature]

DRG. NO  
CGA(1)789/SA-8

12-HOLES,  $\phi 2.0$  AT 35 P.C.D



TEMPERATURE COMPATIBILITY -  
OF THE COMPONENTS.  
(+80° ± 3° & -40 ± 3°)

VISIBLE OUTSIDE SURFACE WITH SURFACE  
STRUCTURE ACCORDING TO DIN VDI3400  
REF 30.

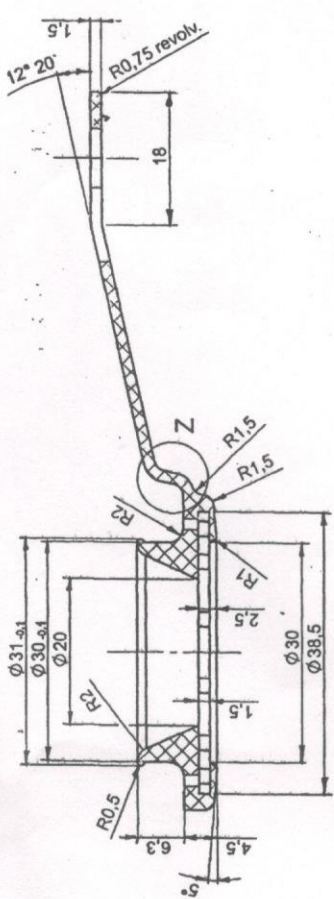
A: INDEX "L"; 0.3 mm RAISED; FRONT SIZE 3.0 mm.  
COLOUR: RAL 6014

FOR TRADE OIM  
Date of Issue: 21.02.19

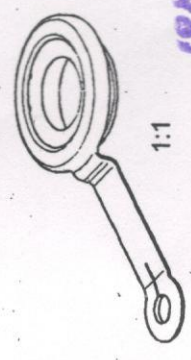
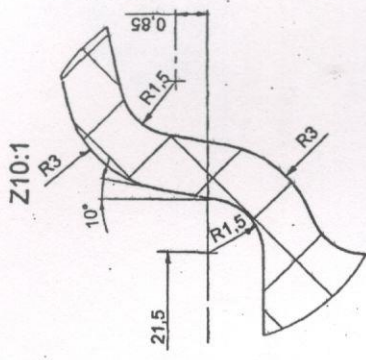
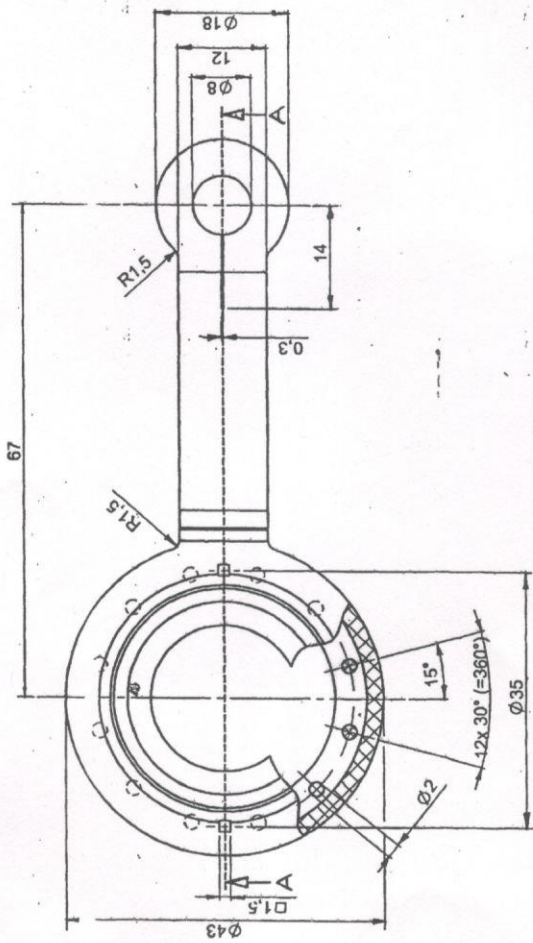
MATL. & SPEC:- PC

ORDNANCE FACTORY DEHRADUN	DRAWN BY: P.C.SINGH	DT.-12-06-2010	SCALE - NTS
	TR-	MATL.	TREAT.
	CH- <i>[Signature]</i>	AS ABOVE	AS ABOVE
	APPROVED <i>[Signature]</i>	SHEETS. 1	SHT. NO. 1
	JWM/D.O. <i>[Signature]</i>	DRAWING NO	
	WH/P	MCT-2931/1	
	DRG. NO COA(II) 789/16	AMENDMENTS	
		OFD/DO/002	

**BINOCULAR 8x30 R**  
**INSERT FLEXIBLE COUPLING**



SECTION A-A



FOR TRADE CHAM  
Date of Issue 21.02.19

TEMPERATURE COMPATIBILITY OF THE COMPONENTS. (+80° ± 3° & -40 ± 3°)

NOT DIMENSIONED EDGES CHAMFER 0.2mm.  
SURFACE MATT FINISHED  
COLOUR: RAL 6014

MATL. & SPEC.- SEBS 60±5 SHORE A - BERGAFLEX

BINOCULAR 8x30 R  
OBJECTIVE CAP

ORDNANCE FACTORY DEHRADUN	DRWN BY: P.C.SINGH	DT.-12-06-2010	SCALE - NTS
	TR-	MATL. AS ABOVE	TREAT. AS ABOVE
APPROVED <i>[Signature]</i> JWM/D.O.	DRG. NO CO.A/II 789/15	D.A.No. 01/2015 Dt. 21/2015	SHT. NO. 1
	WM/P <i>[Signature]</i>	AMENDMENTS	DRAWING NO. MCI-2929/1
			OFD/DO/002