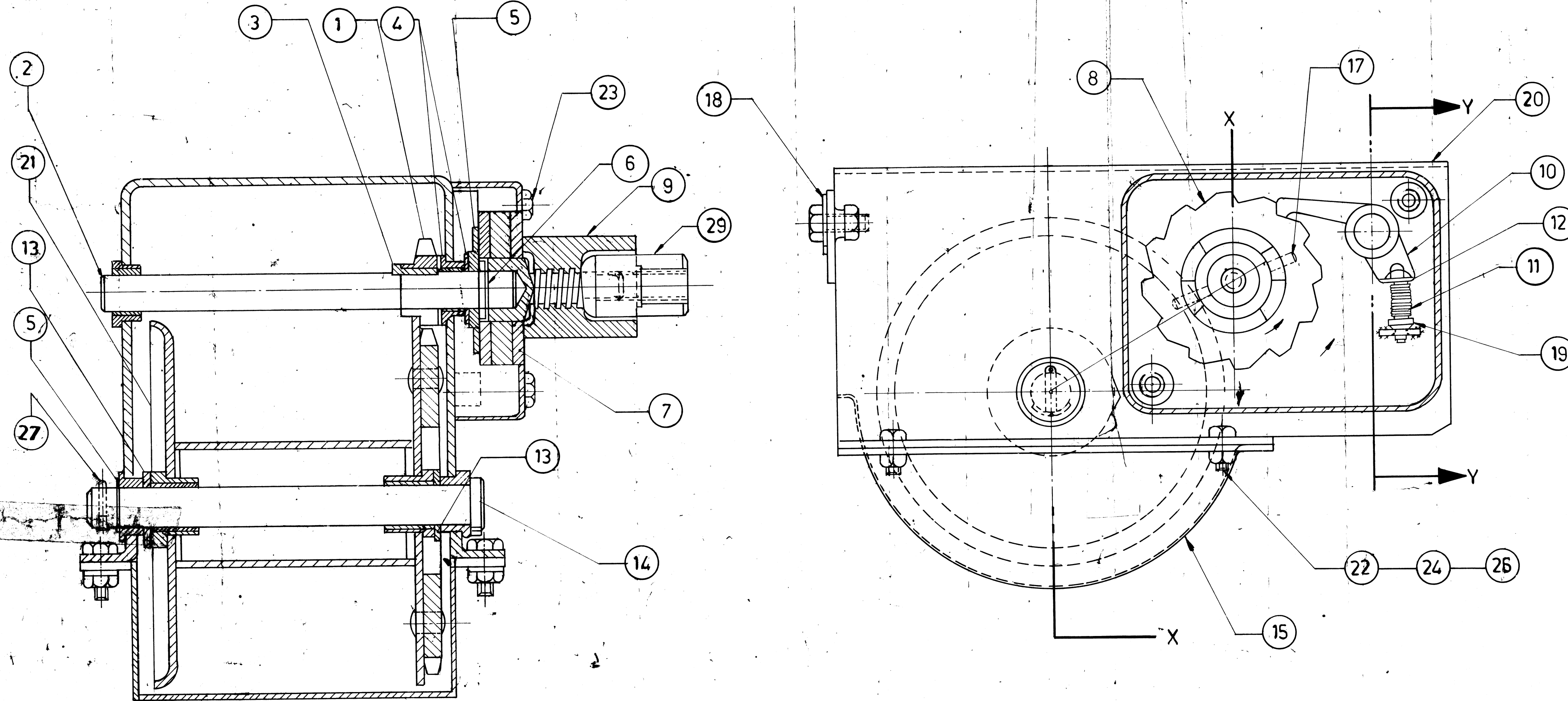


ITEM NO.	DRG/PART NO.	NO. SET	NOMENCLATURE
1	V 350 2541 2601	1	PINION
2	V 350 2541 2602	1	PIN UPPER
3	V 350 2541 2603	1	KEY
4	V 350 2541 2604	3	WASHER
5	V 350 2541 2605 / $\frac{1}{2} \times \frac{1}{8} \times \frac{3}{32}$	1	COUPLING
6	V 350 2541 2606	1	DOWEL PIN
7	V 350 2541 2607	2	WASHER LARGE
8	V 350 2541 2608	1	RATCHET
9	V 350 2541 2609 / $\frac{1}{2} \times \frac{1}{8} \times \frac{3}{32}$	1	THRUST PIPE
10	V 350 2541 2610	1	PAWL
11	V 350 2541 2611	1	SPRING
12	V 350 2541 2612	—	—
13	V 350 2541 2613	2	WASHER
14	V 350 2541 2614	1	PIN LOWER
15	V 350 2541 2615	1	COVER BOTTOM
16	V 350 2541 2616	1	COVER TOP
17	V 350 2541 2617	2	PIN
18	V 350 2541 2618	1	COVER PLATE FRONT
19	V 350 2541 2619	1	PIN GUIDE SPRING
20	V 350 2541 0027	1	ASSY. HOUSING
21	V 350 2541 0028	1	ASSY. DRUM
22	IS: 1363 - 19 72	6	BOLT HEX. H.D. BLACK METRIC M6 x 15
23	IS: 1363 - 19 72	2	BOLT HEX. H.D. BLACK METRIC M6 x 30
24	IS: 1364	8	NUT PLAIN HEX. BLACK STEEL M6
25			
26	IS: 3063	8	WASHER SPRING SINGLE COIL STEEL M6
27	IS: 549	1	PIN KEEP SPLN STEEL 3DIA. x 25
28	IS: 3075	1	CIRCLIP EXTERNAL 14 DIA.
29	51448 / 827050.4030.7902	1	ADAPTER



SECTION X-X

SECTION Y-Y

V3 ASSY. DRG. NO. 2614.4030.0004

SEALED
CERTIFIED CORRECT
COPY DATE.....
SIGNATURE.....

The copyright of these drawings and all attachments
herein is reserved to the Indian Ordnance Factories,
Ministry of Defence, Govt. of India. They should not
be used, reproduced or distributed in any form without
the written permission of the Director General of the
Ordnance Factories, Government of India.

40079		ASSY. DRG. No. 2614.4030.0004	
V2		2614.4030.0004 ADDED	
V2		ALTERNATE DRG. NO. V2/16/05/0012	
V2		ADDED IN THE ITEM NO. 9 AND	
V2		ALTERNATE DRG. NO. V2/16/05/00015	
V2		ADDED IN THE ITEM NO. 5	
V1		ITEM NO. 29 2050.4030.7902	
V1		WAS SKZ 10/87	
V1		DRG. RETRACED.	
Index		ALTERATION	
0 - Unmachined 1 - Rough 2 - Smooth 3 - VVV Finish 4 - C. Hard 5 - Heat Treated 6 - Other Hard		Description: ASSY SPARE WHEEL LIFTING UNIT Group: LPTA 713/32	
0 - 10 ± 1° 1 - 10 ± 10" 2 - 10 ± 10" 3 - 10 ± 10" 4 - 10 ± 10" 5 - 10 ± 10" 6 - 10 ± 10" 7 - 10 ± 10" 8 - 10 ± 10" 9 - 10 ± 10" 10 - 10 ± 10" 11 - 10 ± 10" 12 - 10 ± 10" 13 - 10 ± 10" 14 - 10 ± 10" 15 - 10 ± 10" 16 - 10 ± 10" 17 - 10 ± 10" 18 - 10 ± 10" 19 - 10 ± 10" 20 - 10 ± 10" 21 - 10 ± 10" 22 - 10 ± 10" 23 - 10 ± 10" 24 - 10 ± 10" 25 - 10 ± 10" 26 - 10 ± 10" 27 - 10 ± 10" 28 - 10 ± 10" 29 - 10 ± 10"		Scale: 1:1 Drawn: 20.2.99 Traced: 24.2.99 Checked: 24.2.99 Date: 24.2.99 By: JWW/SP	
0 - 10 ± 1° 1 - 10 ± 10" 2 - 10 ± 10" 3 - 10 ± 10" 4 - 10 ± 10" 5 - 10 ± 10" 6 - 10 ± 10" 7 - 10 ± 10" 8 - 10 ± 10" 9 - 10 ± 10" 10 - 10 ± 10" 11 - 10 ± 10" 12 - 10 ± 10" 13 - 10 ± 10" 14 - 10 ± 10" 15 - 10 ± 10" 16 - 10 ± 10" 17 - 10 ± 10" 18 - 10 ± 10" 19 - 10 ± 10" 20 - 10 ± 10" 21 - 10 ± 10" 22 - 10 ± 10" 23 - 10 ± 10" 24 - 10 ± 10" 25 - 10 ± 10" 26 - 10 ± 10" 27 - 10 ± 10" 28 - 10 ± 10" 29 - 10 ± 10"		VEHICLE FACTORY JABALPUR. V 350 2541 0026	