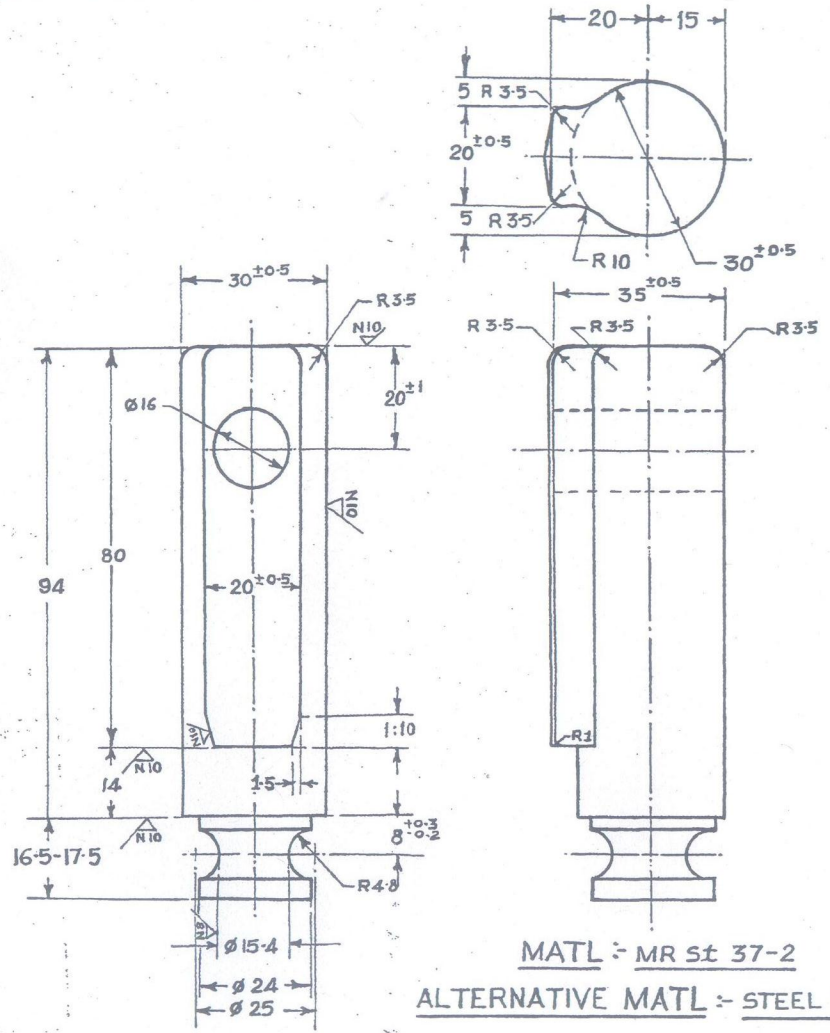


IMPD-0984



**PIN FOR LOCKING CAT-1102
(PIN LOCK SETTING)**

COPY ISSUED BY CDD/CSAJ
 यह प्रति सी डी डी/ओ.एफ.ए.ज.
 द्वारा की गई है।
 दिनांक: 07/07/14
 अनुभाग प्रमुख
 AOS/CDD

MATL :- MR S_t 37-2
 ALTERNATIVE MATL :- STEEL UTS, 420 MPa (min)

- NOTE:-**
- 1) REMOVE BURRS FROM BORES,
CURVE ALL SHARP EDGES.
 - 2) GALVANIZED AND CHROMOTIZED
TO 20-30 μm.

DRG BASED ON CAT No.1102 DS No. 14/5315-000610

DRN		DRG NOT TO BE SCALED	PERTAINS TO:- 1MSA-0167&0168
TCD		ALL SHARP EDGES & CORNERS TO BE ROUNDED OFF	
CHD		ALL DIMENSIONS IN mm, UNLESS OTHERWISE SPECIFIED.	
PSD		NOMENCLATURE	
APPD		AS STATED	IMPD-0984
DATE		SCALE:- 1:1	
TOLERANCE UNLESS OTHERWISE SPECIFIED GEN ANG DEC		CONTROLLERATE OF INSPECTION ENGINEERING EQPT.	
MEDIUM IS:2102			

DC(I)	DATE	ZONE	BRIEF RECORD	SIG