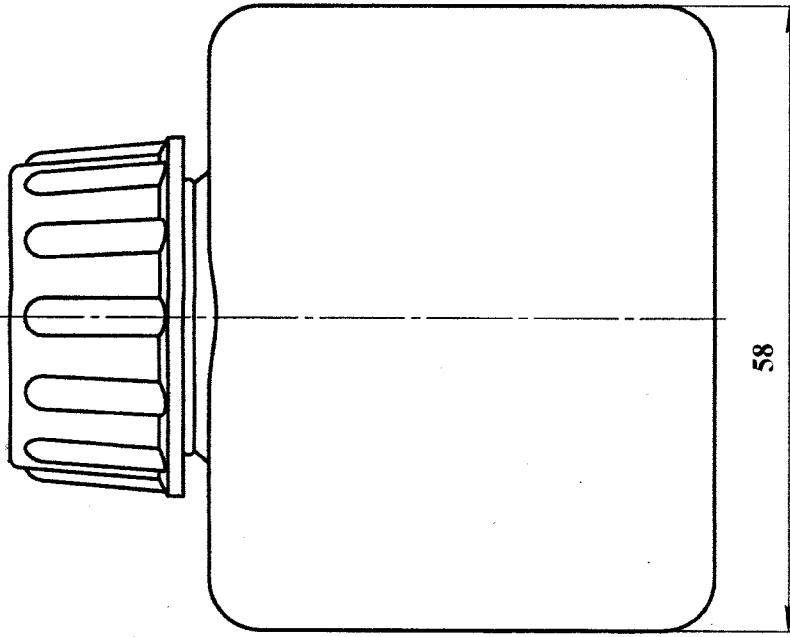
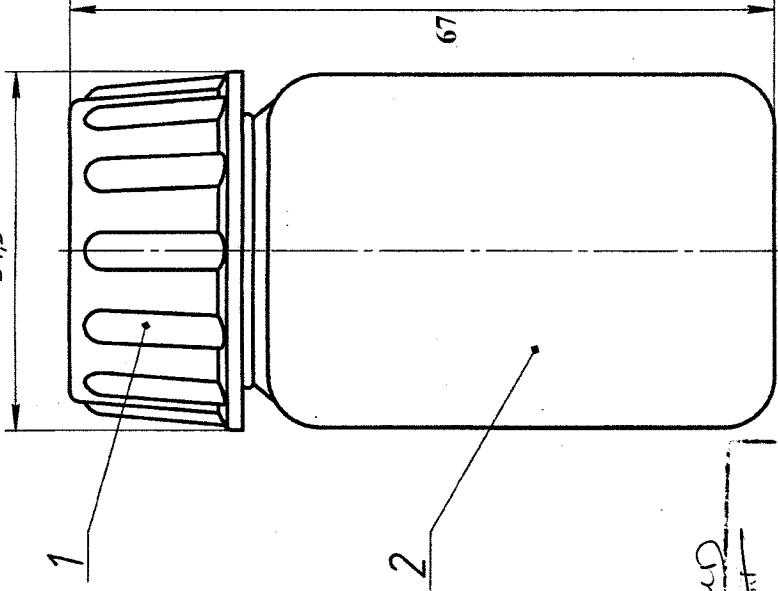


SK-6641/TE



For the Hos MMMD
 आरम्भ की रीटि वरिफ
 प्रो. नि. नि. नि.
 Certified as correct copy
 of drg. on 18/10/2012
 S.H.V.

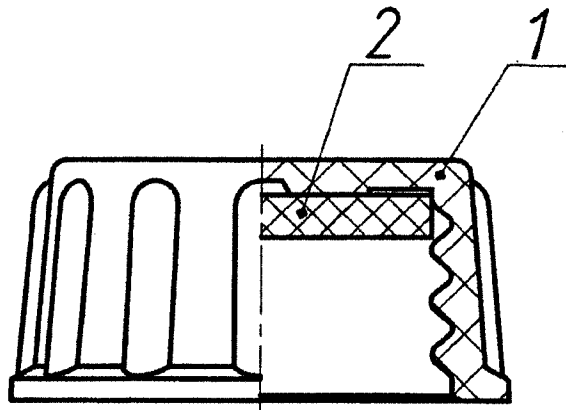
S.NO.	ITEM	DRAWING No
1	CAP ASSEMBLY (i) CAP (ii) GASKET	SK-6642 TE SK-6643 TE SK-6644 TE
2	BODY	SK-6645 TE

<p>7.62x39mm AR-SAF</p> <p>OILER</p> <p>ASSEMBLY DRAWING</p>		DRAWN	TRACED	CHKD.
		BLAKHIERA		
		DATE		
		APPROVED		
		HOS/IDDO		
<p>SCALE</p> <p>N.T.S.</p>		DRG NO.		SK-6641/TE
<p>SMALL ARMS FACTORY</p> <p>KANPUR</p>				

CONFIDENTIAL

COPY No. /

SK-6642/TE



Weight	Scale
10 g	2:1

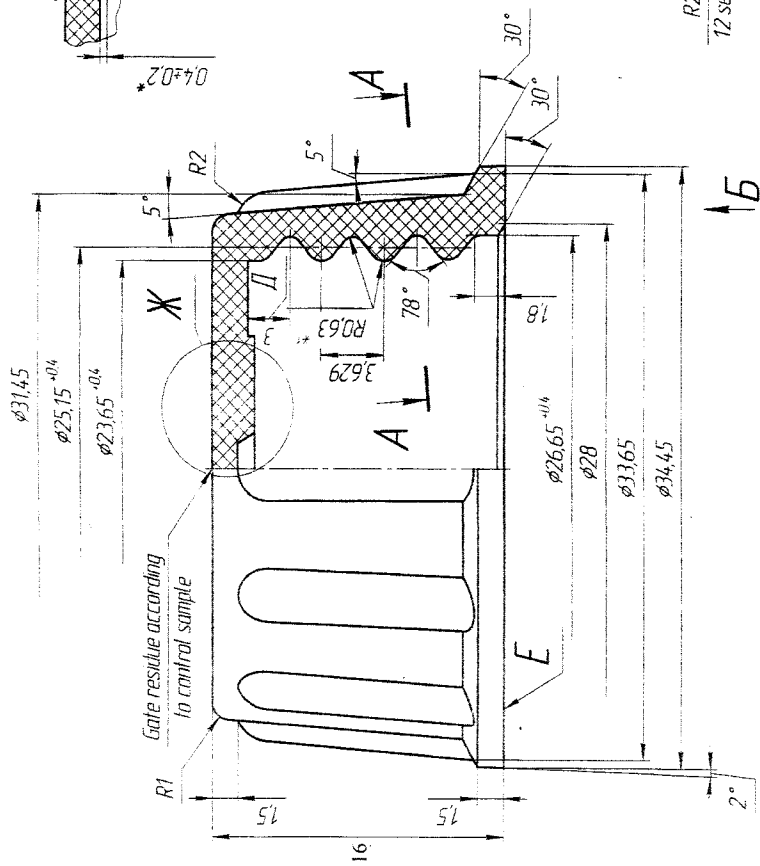
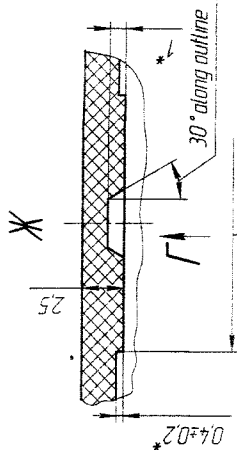
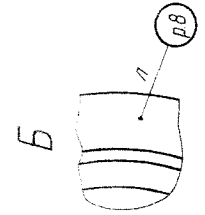
HOS/MMD
अनुसंधान की सही प्रमाणित
कॉपी में...
Certified as correct copy
of drg. on...18/10/23...
[Signature]

7.62x39mm AR-SAF <i>Cap</i> <i>Assembly drawing</i>	DRAWN	TRACED	CHKD.
	B.LAKHERA		
	DATE		
	APPROVED		
SCALE	SMALL ARMS FACTORY KANPUR		HOS/DDO
N.T.S			DRG.NO.
			SK-6642/TE

SK-6643/TE

COPY No. 1

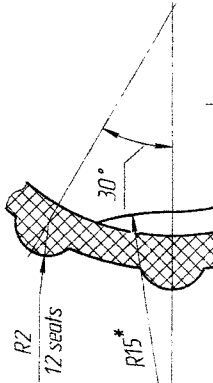
7.62x39mm AR-3



- 1 Polyethylene coloring agent is BASNO concentrate, TY 201659-001-23124265-2018, 1901901/05-13 black (2%)
- 2 * Dimensions to be ensured by tool
- 3 ** Reference dimensions.
- 4 At length D threaded portion not to be inspected
- 5 ** Roughness to be ensured by tool
- 6 Unspecified tolerances according to 605.0TY/E2
- 7 Roughness of external surfaces, except surface E, is allowed to be up to $\sqrt{Rz} 320$ Appearance according control sample.
- 8 Mark mold number and mold cavity number. Font 2-1p3

GOST 26.008-85.

Weight	Scale
75g	5:1



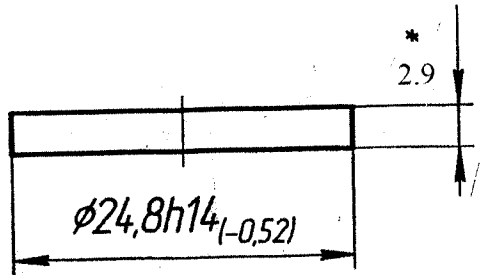
अनुसंधान की शक्ति
प्रतिज्ञा है
HOSIMMS
Certified
of Aug. 09, 18/10/18

DRAWN TRACED CHKD.	
BLAKIDERA	
DATE	
APPROVED	
HOSIDDO	
DRG. NO.	SK-6643/TE
SMALL ARMS FACTORY KANPUR	
SCALE N.T.S.	

7.62x39mm AR-SAF

Cap

SK-6644/TE



* Reference dimensions.

Hos/mmg
 ... correct copy
 18/10/20...
sjr

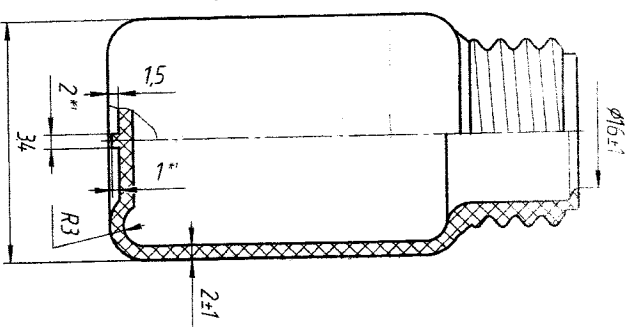
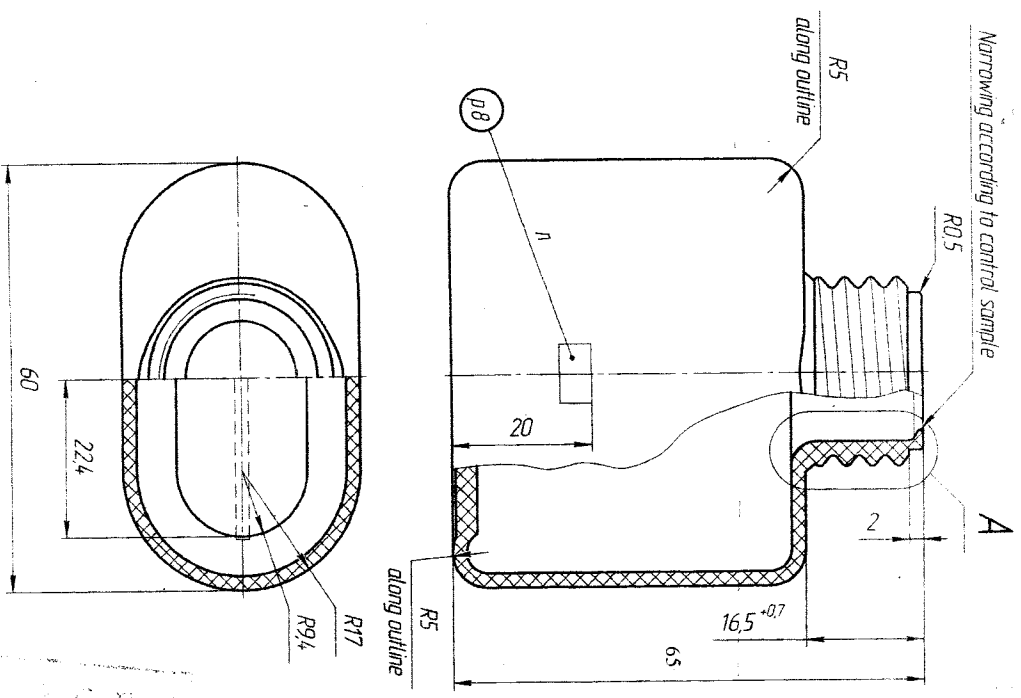
Weight	Scale
2,5 g	2:1

7.62x39mm AR-SAF <i>Gasket</i>	DRAWN	TRACED	CHKD.
	B.LAKHERA		
	DATE	APPROVED	
	HOS/DDO		
SCALE	<u>SMALL ARMS FACTORY</u> <u>KANPUR</u>		DRG.NO.
N.T.S			SK-6644/TE

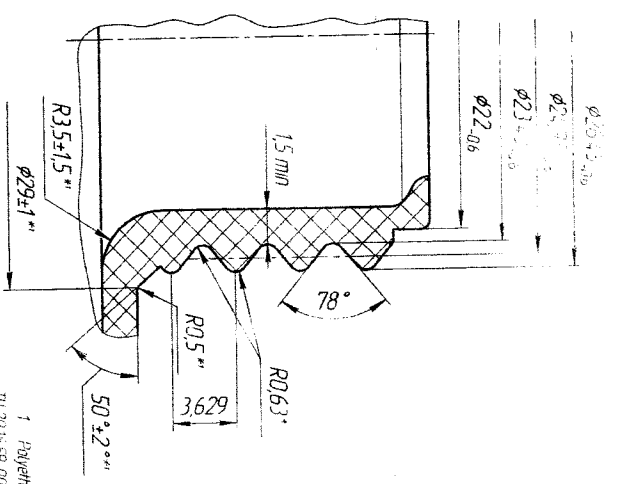
SK-6645/TE

0.63

Narrowing according to control sample



A (5-1)

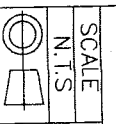


Weight	Scale
25 g	21

- 1 Polyethylene (according agent S DASKO) can be used.
- 2 Reference dimension
- 3 ** Dimensions to be ensured by tool
- 4 Unspecified tolerances according to ISO 6817/4.2
- 5 ** Roughness to be ensured by tool
- 6 Finish residues along part line according to control sample
- 7 Appearance according to control sample
- 8 Mark with number - ml 5-103 003/ 25/004-55

Handwritten notes: 18/10/83, HOS/MSD, size

7.62x39mm AR-SAF
Body



SMALL ARMS FACTORY
KANPUR

DRAWN	TRACED	CHKD.
R. LAKHERA		
DATE		
APPROVED		

DRG. NO.

HCS/DDO

SK-6645/TE