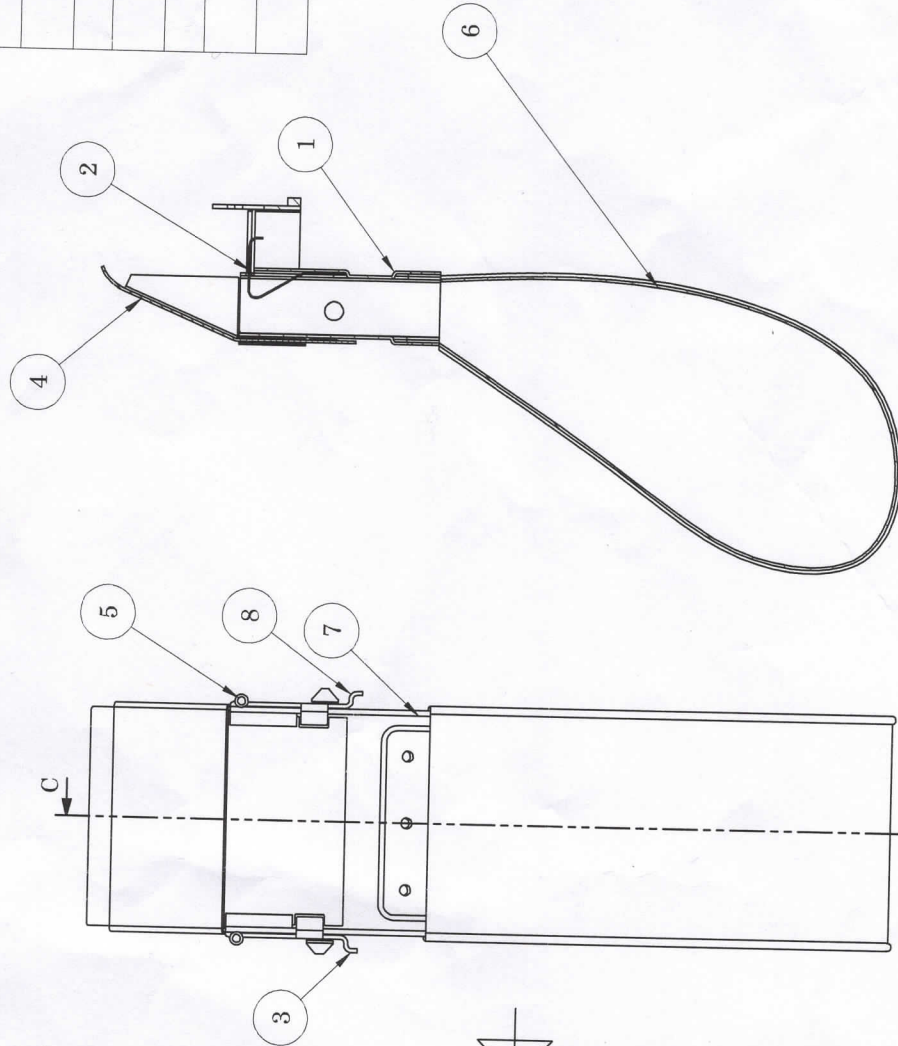


1 2 3 4 5 6 7 8

GENERAL TOL.: FINE / MEDIUM / COARSE CLASS TO IS: 2102 DRG. CONVENTIONS CONFIRM TO INDIAN STANDARDS DIMENSIONS ARE IN mm UNLESS OTHERWISE STATED.

ITEM NO.	PART NUMBER	DESCRIPTION	QTY.
1	PLATE REAR POUCH	1804 03 01 02 00 000 00DA	1
2	LEAF SPRING	1804 03 01 03 00 000 00DA	1
3	FLAP LOCK RIGHT POUCH	1804 03 00 00 00 002 00DA	1
4	COVER POUCH	1804 03 00 00 00 001 00DA	1
5	PIN FLAP LOCK POUCH	1804 03 00 00 00 004 00DA	2
6	CANVAS POUCH	STD	1
7	PLATE FRONT POUCH	1804 03 01 01 00 000 00DA	1
8	FLAP LOCK LEFT POUCH	1804 03 00 00 00 003 00DA	1



SECTION C-C
SCALE 1:2

प्रमाणित की गयी प्रतिलिपि
Certified's correct copy
of drawing
Jt. Works Manager
STANDARD

Sr. No.	DATE	AUTHORITY	BRIEF RECORD	ZONE	CD	GO SIGN
DRN: DURGESH	DATE: 21/10/2020	CHECKED	MATERIAL:			
APPD.	DATE: 21/10/2020	FOR DIRECTOR	PROTECTIVE FINISH:			
SEALED DATE:						
SHEET SIZE: A3	EST. MASS					
SCALE: 1:2						
DESIGN AUTHORITY ARDE PUNE 411021						
DRG No. 1804	IC 03	SS	AA	AA	AA	AA
LMG	PART No.	DS CAT No.	AHSP			

AMMUNITION POUCH

1 2 3 4 5 6 7 8