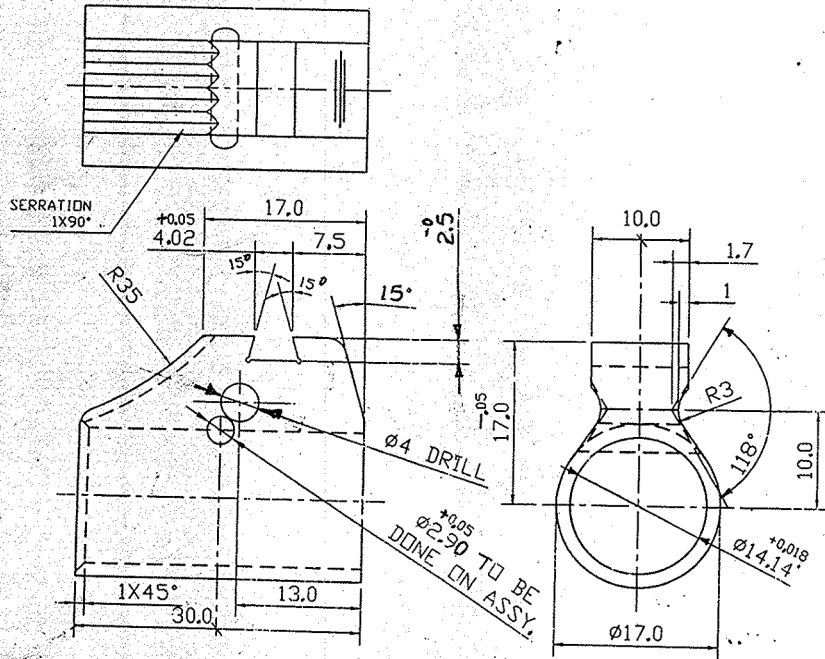


DIMENSIONS ARE IN mm.
 UNTOLERATED DIMENSIONS AS PER IS:2102(MED)



FINISH :- TO SPECN. WPN/GEN/3 CLASS II OIL FINISH.
~~FITTED WITH BARREL B/S TO BE PAINTED TO SPECN REF 1407~~
 WITH GLOSSY FINISH EXCEPT BOVETAIL & JSP FACE PORTION.

Raw Matl: 32x20 BGR HR 4 ANOILED

PART NO.	DESCRIPTIONS	NO OFF	MATERIAL	TREATMENT	REMARKS
			BS 970 EN 8		
	SIGNATURE & DATE.		SUB: BAND FORE SIGHT		SCALE 2:1
	TRACED		FOR: .315" SPORTING RIFLE		STORE DRG.NO.
	DRAWN		OF:		OPERATION NO.
	CHECKED		DES. REF. NO. SP-2		
	OIC/D&DO		DRG. No.: 29P0002*		
	OFFICER/PRODN.		ORDNANCE FACTORY		SHEETS: 01
	OFFICER/D&DO		TIRUCHIRAPPALLI-16.		SHEET No.: 01
AMENDMENTS & DATE	SIG. & DATE	APPROVED ON.			

DA.No. 8996/
 W/ DDO/01
 Dt-29.5.09

SIG.

APPROVED ON. 10/04

