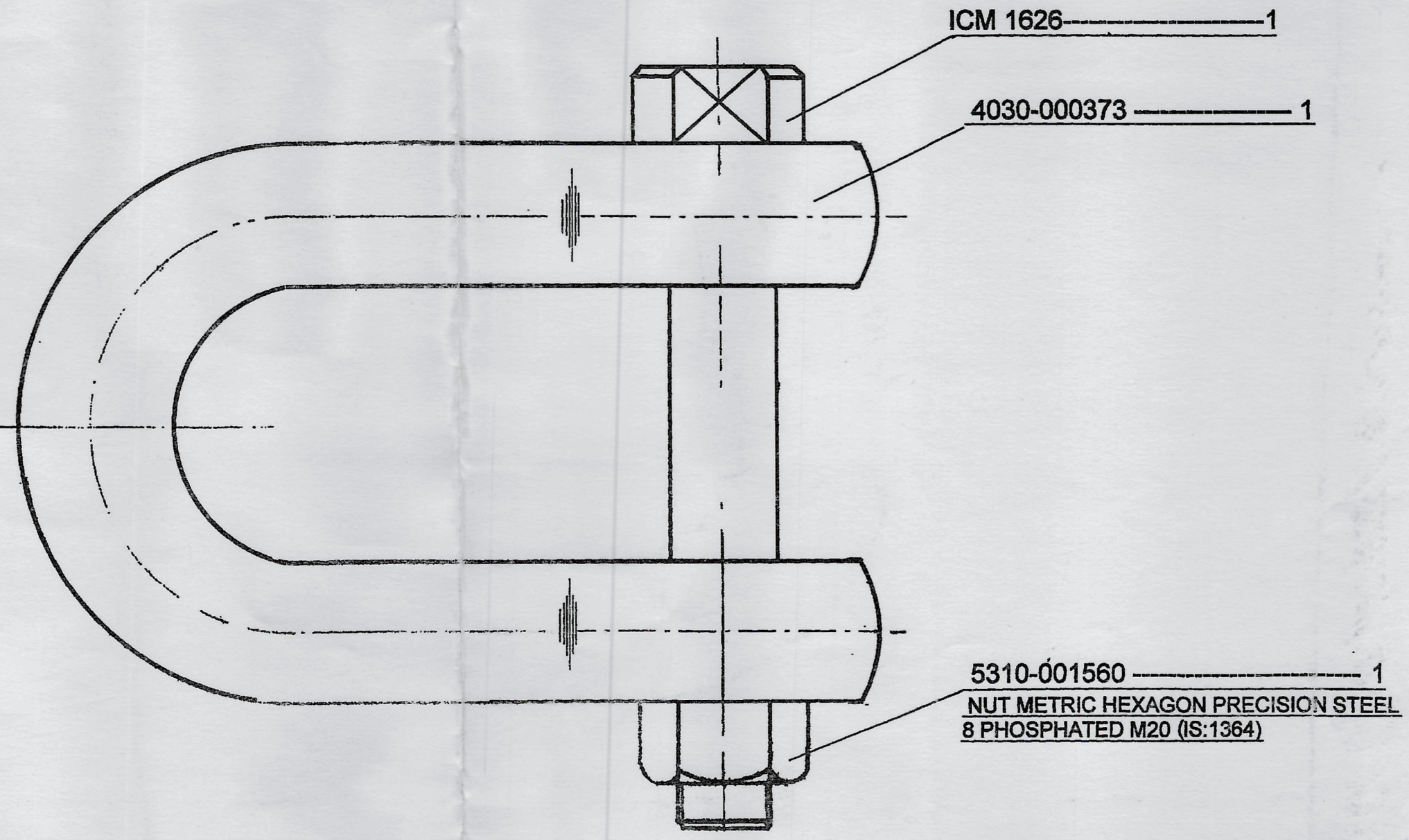


8	7	6	5	4	3	2	1
DS CAT No. 4030-000371		FOR EXPLANATION OF DIMENSIONING ETC,SEE DD NOTE SHT No. 1 DIMENSIONS ARE IN mm UNLESS OTHERWISE STATED.					



				DRAWN:-		CHD:-		ASSY DRG:-		CQA(W), JABALPUR
				SCANNED:- MK		CHD:- OPS		DATE:-		
				 HOS		 DO		AHSP FOR CQA(W)		 SCALE:- 1:1
				SCANNED & PRINTED WITHOUT CHANGE				ESTD mass:-		
DATE	AUTHORITY	ZONE	AMENDMENTS	SIG AHSP	SIG. DO	MATERIAL:-				DESIGN No.
PREV DC Nos:- 15962-W, 16392-W & 18819-W DATED 12-11-03						PROTECTIVE FINISH:-				D6P-TA-7208 SA
DRG SEALED:- 16392-W DATED 31-12-85						SHACKLE 'D' 1A शैकलड 'डी' 1 ए				PART No. ICM 242 A
						DO CQA(W)				DS CAT No. 4030-000371