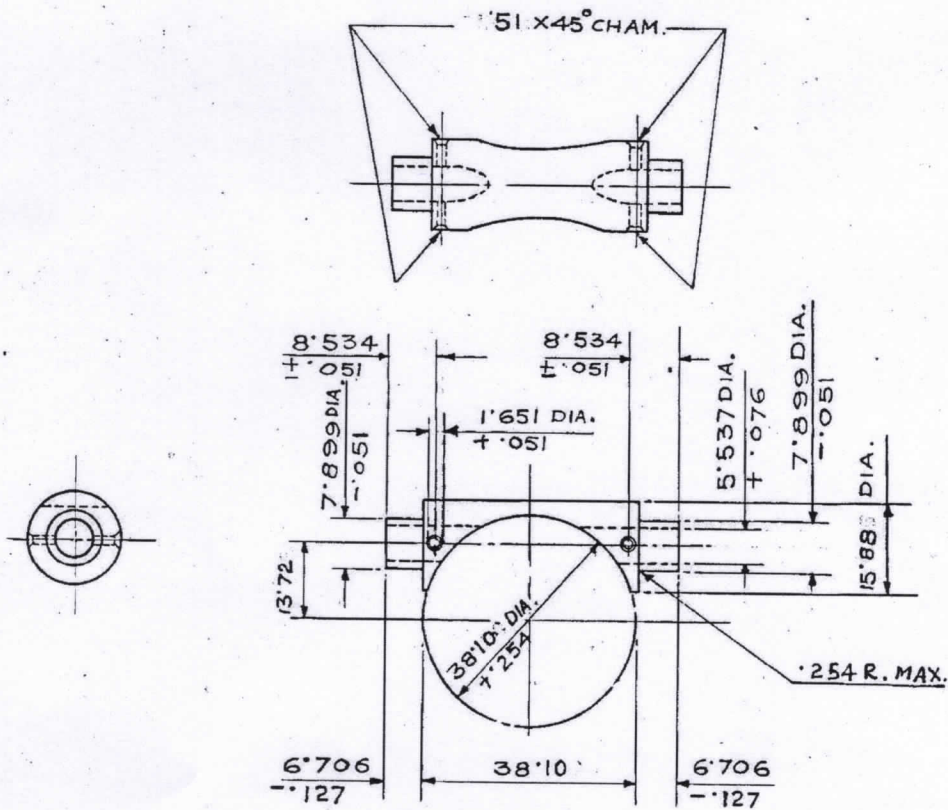


DS CAT. NO.
1005-000879

FOR EXPLANATION SEE DD NOTE SHT. NO.3
THIRD ANGLE PROJECTION. DIMENSIONS ARE IN MILLIMETRES



TOLERANCE $\pm .127$ UNLESS OTHERWISE STATED.
ALL SHARP CORNERS TO BE REMOVED.

NOTE:-

DS.CAT. NUMBER NOT TO BE STAMPED.
THIS IS A WELDED PART OF 1005-000862

NOTE:- FOR SPECN. LATEST ISSUE SHOULD BE FOLLOWED

MATERIAL:-

IS:5517-1993 DESIGNATION-40CB

METRIC

04.7.16	26883-SA		MATERIAL AMENDED		ASSY. DRG. :- 1005-000862
20.4.90	20737-SA	F/2	DIM: 8.534 SHOWN CORRECTLY.		INSP. INSTRNS. :-
4.9.86	19217-SA		MATL. AMENDED & NOTE FOR SPECN, ADDED		DRAWN CHECKED TRACED TRN. CHD.
18.3.83	17461-SA		MATL. AMENDED		APPROVED
1.10.74	14091-SA		DRAWING SEALED.		MAJ. FOR CISA.
DATE	AUTHY.	ZONE	NATURE	SIG.	DATE: -16-4-67
AMENDMENTS					DESIGNER'S REF.
SEALED: 04/14/091-SA DT 1-10-74					SN 1210/05
MATERIAL:- AS STATED TO PT. 1:350.2 GR. 080 W 40					DS.CAT. NO.
PROTECTIVE FINISH:-					1005-000879
ESTIMATED WEIGHT:- 22.39 GRAMS.					CISA. ICHAPUR
SCALE :- 1/1					
PIVOT, BUTT					